



**GOVERNMENT OF ANDHRA PRADESH**

**STATE BOARD OF TECHNICAL EDUCATION AND  
TRAINING**

**Andhra Pradesh :: AMARAVATI**



**Globally Competitive  
CURRICULUM (C-20)  
For Polytechnic Diploma Courses  
in Andhra Pradesh**

**3 YEAR (REGULAR)  
DIPLOMA IN  
COMPUTER ENGINEERING**





**CURRICULUM -2020**

**(C-20)**

**3 YEAR (REGULAR)**

**DIPLOMA IN COMPUTER ENGINEERING**

**STATE BOARD OF TECHNICAL EDUCATION AND TRAINING  
Andhra Pradesh :: AMARAVATI**

**CURRICULUM -2020**  
**( C-20 )**  
**FOR DIPLOMA COURSES IN ANDHRA PRADESH**

**PREAMBLE**

The proposed programme intends to develop a skilled technician to support the industries both nationally or globally. It also helps to kindle the spirit of entrepreneurship with necessary skills and theoretical inputs aligning with the National policy of 'Make in India'. The programme also provides for accomplishing higher education goals for those who wish to enrich their theoretical concepts further.

The State Board of Technical Education and Training, (SBTET) AP, has been offering Diploma programmes to meet the above said aspirations of the stake holders: industries, students, academia, parents and the society at large. As such, it has been the practice of SBTET, A.P., to keep the curriculum abreast with the advances in technology through systematic and scientific analysis of current curriculum and bring out an updated revised version at regular intervals. Accordingly, the SBTET, AP under the aegis of the Department of Technical Education, Andhra Pradesh in its 57<sup>th</sup> Board Meeting held on 05-02-2019 (vide item no: 18) resolved to update the Polytechnic Curriculum C-16 with the guidance of National Institute of Technical Teachers Training & Research (NITTTR), Extension Centre, Vijayawada (ECV), to be implemented with effect from the academic year '20-21.

Analysis of Curriculum C-16 (SWOT analysis) started in the month of June-2019. Feedback was collected from all stake holders: Students, Lecturers, Senior Lecturers, Head of Sections and Principals for all programmes for this purpose. A series of workshops with subject experts followed in the subsequent weeks and the draft curricula were prepared for every programme. Finally, an interactive session with representatives from industries, academia and subject experts was held on 04.01.2020 for thorough perusal and critique of draft curricula; and the suggestions received from Industrialists and academia have been recorded, validated by another set of experienced subject teachers from the Department of Technical education for incorporation into the Curriculum C-20.

The design of new Curricula for the different diploma programmes has thus been finalised with the active participation of the members of the faculty teaching in the Polytechnics of Andhra Pradesh, and duly reviewed by Expert Committee constituted of academicians and representatives from industries. Thus, the primary objective of the curriculum change is to produce employable technicians in the country by correlating the growing needs of the industries with relevant academic input.

The outcome-based approach as given by NBA guidelines has been followed throughout the design of this curriculum is designed to meet the requirements of NBA Accreditation, too.

The revised New Curriculum i.e., Curriculum–2020 (C-20) is approved by BoG of SBTET for its implementation with effect from 2020-21.

**Highlights of Curriculum C-20:**

1. Duration of course for regular Diploma and for sandwich Diploma is 3 years and 3½ years respectively.
2. The Curriculum is prepared in Semester Pattern. However, First Year is maintained as Year-wise pattern.
3. 6 Months Industrial training has been introduced for 3 years Diploma Courses and 6 months Industrial Training is introduced for 3 ½ years Sandwich Diploma courses.

4. Updated subjects relevant to the industry are introduced in all the Diploma courses.
5. CISCO course content has been incorporated into the ECE and CME programmes for certification from CISCO in lieu of industrial training when students are unable to get Industrial Training placement in any industry.
6. The policy decisions taken at the State and Central level with regard to environmental science are implemented by including relevant topics in Chemistry. This is also in accordance with the Supreme Court guidelines issued in Sri Mehta's case.
7. Keeping in view the increased need of communication skills which is playing a major role in the success of Diploma Level students in the Industries, emphasis is given for learning and acquiring listening, speaking, reading and writing skills in English. Further as emphasized in the meetings, Communication Skills lab and Life Skills lab are continuing for all the branches.
8. CAD specific to the branch has been given emphasis in the curriculum. Preparing drawings using CAD software has been given more importance.
9. Upon reviewing the existing C-16 curriculum, it is found that the theory content is found to have more weightage than the Practical content. In C-20 curriculum, more emphasis is given to the practical content in Laboratories and Workshops, thus strengthening the practical skills.
10. With increased emphasis for the student to acquire Practical skills, the course content in all the subjects is thoroughly reviewed and structured as outcome based than the conventional procedure based.
11. Curricula of Laboratory and Workshops have been thoroughly revised based on the suggestions received from the industry and faculty, for better utilization of the equipment available in the Polytechnics. The experiments /exercises that are chosen for the practical sessions are identified to confirm to the field requirements of industry.
12. An exclusive section for assessing Higher order Thinking skills (HOTS) has been introduced in summative evaluation.

#### **Acknowledgements:**

It is pertinent to acknowledge the support of the following in the making of Curriculum C-20. A series of workshops in three phases were conducted by NITTTR, AP Extension Centre, Vijayawada involving faculty from Polytechnics, Premier Engineering Colleges & Industries to analyze the Previous C-16 Curriculum and to design C-20 Curriculum under the guidance of Dr C. R. Nagendra Rao, Professor & Head, NITTTR-ECV. The efforts & support extended by NITTTR to bring out final Curriculum C-20 by incorporating needs, aspiration & expectations of all stake holders is highly appreciated and gratefully acknowledged.

The Members of the working group are grateful to Sri M.M. Nayak, I.A.S., former Special Commissioner of Technical Education, Chairman of SBTET, AP, Dr. Pola Bhaskar, I.A.S., Commissioner of Technical Education, Chairman of SBTET, AP and Sri. G. AnanthaRam, I.A.S., former Principal Secretary, Department of Skill Development and Training, Smt. G. Jaya Lakshmi, I.A.S. Principal Secretary, Department of Skill Development and Training, for their guidance and valuable inputs during process of revising, modifying and updating the Curriculum C-20.

The Members acknowledge with thanks the guidance & inspiration provided by Sri. V.S. Dutt, former Secretary, SBTET, Andhra Pradesh, Sri K Vijaya Bhaskar, Secretary, SBTET, Andhra Pradesh and other officials of Directorate of Technical Education and the State Board of Technical Education, Andhra Pradesh, experts from industry, academia from the universities and higher learning institutions and all teaching fraternity from the Polytechnics who are directly or indirectly involved in preparation of the curricula.

## **RULES AND REGULATIONS OF C-20 CURRICULUM**

### **1 DURATION AND PATTERN OF THE COURSES**

All the Diploma programs run at various institutions are of AICTE approved 3 years or 3½ years duration of academic instruction.

All the Diploma courses are run on year wise pattern in the first year, and the remaining two or two & half years are run in the semester pattern. In respect of few courses like Diploma in Bio-Medical course, the training will be in the seventh semester. Run-through system is adopted for all the Diploma Courses, subject to eligibility conditions.

### **2 PROCEDURE FOR ADMISSION INTO THE DIPLOMA COURSES:**

Selection of candidates is governed by the Rules and Regulations laid down in this regard from time to time.

- a) Candidates who wish to seek admission in any of the Diploma courses will have to appear for the Common Entrance Test for admissions into Polytechnics (POLYCET) conducted by the State Board of Technical Education and Training, Andhra Pradesh, Vijayawada.

Only the candidates satisfying the following requirements will be eligible to appear for the Common Entrance Test for admissions into Polytechnics (POLYCET).

- b) The candidates seeking admission should have appeared for S.S.C examination, conducted by the Board of Secondary Education, Andhra Pradesh or equivalent examination thereto, at the time of applying for the Common Entrance Test for admissions into Polytechnics (POLYCET). In case of candidates whose results of their Qualifying Examinations is pending, their selection shall be subject to production of proof of their passing the qualifying examination in one attempt or compartmentally at the time of admission.
- c) Admissions are made based on the merit obtained in the Common Entrance Test (POLYCET) and the reservation rules stipulated by the Government of Andhra Pradesh from time to time.
- d) For admission into the following Diploma Courses for which entry qualification is 10+2, candidates need not appear for POLYCET. A separate notification will be issued for admission into these courses.

i). D.HMCT ii).D. Pharmacy

### **3 MEDIUM OF INSTRUCTION**

The medium of instruction and examination shall be English.

### **4 PERMANENT IDENTIFICATION NUMBER (PIN)**

A cumulative / academic record is to be maintained of the Marks secured in sessional work and end examination of each year for determining the eligibility for promotion etc., A Permanent Identification Number (PIN) will be allotted to each admitted candidate to maintain academic records.

### **5 NUMBER OF WORKING DAYS PER SEMESTER / YEAR:**

- a) The Academic year for all the Courses shall be in accordance with the Academic Calendar.
- b) The Working days in a week shall be from Monday to Saturday
- c) There shall be 7 periods of 50 minutes duration each on all working days.

- d) The minimum number of working days for each semester / year shall be 90 / 180 days excluding examination days. If this prescribed minimum is not achieved due to any reason, special arrangements shall be made to conduct classes to complete the syllabus.

## 6 ELIGIBILITY (ATTENDANCE TO APPEAR FOR THE END EXAMINATION)

- a) A candidate shall be permitted to appear for the end examination in all subjects, if he or she has attended a minimum of 75% of working days during the year/Semester.
- b) Condonation of shortage of attendance in aggregate up to 10% (65% and above and below 75%) in each semester or 1<sup>st</sup> year may be granted on medical grounds.
- c) A stipulated fee shall be payable towards condonation for shortage of attendance.
- d) Candidates having less than 65% attendance shall be detained.
- e) Students whose shortage of attendance is not condoned in any semester / 1<sup>st</sup> year and not paid the condonation fee in time are not eligible to take their end examination of that class and their admissions shall stand cancelled. They may seek re-admission for that semester / 1<sup>st</sup> year when offered in the next subsequent academic semester/year.
- f) For INDUSTRIAL TRAINING:
  - i) During Industrial Training the candidate shall put in a minimum of 90% attendance.
  - ii) If the student fails to secure 90% attendance during industrial training, the student shall reappear for 6 months industrial training at his own expenses.

## 7 READMISSION

Readmission shall be granted to eligible candidates by the respective Principal/ Regional Joint Director.

- a) (i) Within 15 days after commencement of class work in any semester (Except Industrial Training).
- (ii) For Industrial Training: before commencement of the Industrial training.
- b) Within 30 days after commencement of class work in any year (including D. Pharmacy course or first year course in Engineering and Non Engineering Diploma streams). Otherwise such cases shall not be considered for readmission for that semester / year and are advised to seek readmission in the next subsequent eligible academic year.

The percentage of attendance of the readmitted candidates shall be calculated from the first day of beginning of the regular class work for that year / Semester, as officially announced by CTE/SBTET but not from the day on which he/she has actually reported to the class work.

## 8. SCHEME OF Evaluation

### a) First Year

**THEORY Courses:** Each Course carries Maximum marks of 80 with examination of 3 hours duration, along with internal assessment for Maximum of 20 marks. (Sessional marks). However, there are no minimum marks prescribed for sessional

**Laboratory Courses:** There shall be 40/20 Marks for internal assessment i.e. sessional marks for each practical Course with an end examination of 3 hours duration carrying 60/30 marks. However, there are no minimum marks prescribed for sessional.

### b) III, IV, V, VI and VII Semesters:

**THEORY Courses:** Each Course carries Maximum marks of 80 with examination of 3 hours duration, along with internal assessment for Maximum of 20 marks. (Sessional marks). However, there are no minimum marks prescribed for sessional.

**Laboratory Courses:** There shall be 40/20 Marks for internal assessment i.e. sessional marks for each practical Course with an end examination of 3 hours duration carrying 60/30 marks. However, there are no minimum marks prescribed for sessional.

**9 INTERNAL ASSESSMENT SCHEME**

- a) **Theory Courses:** Internal assessment shall be conducted for awarding sessional marks on the dates specified. **Three unit tests shall be conducted for I year students and two Unit Tests for semesters.**

Internal Assessment shall be of 90 minutes duration and for a maximum of 40 marks. For each test

The average of marks of all the tests, reduced to 20 shall be taken as final sessional in any case.

- b) **Practical Courses:**

- (i) **Drawing Courses:**

The award of sessional marks for internal Assessment shall be as given in the following table

<b>Distribution of Marks for the Internal Assessment Marks</b>			
<b>First Year (Total:40 Marks)</b>		<b>Semesters (Total:40 Marks)</b>	
Max:20 Marks	Max:20 Marks	Max:20 Marks	Max:20 Marks
From the Average of THREE Unit Tests.	From the Average of Assessment of Regular Class work Exercises.	From the Average of TWO Unit Tests.	From the Average of Assessment of Regular Class work Exercises.

All Drawing exercises are to be filed in **serial order** and secured for further scrutiny by a competent authority

- (ii) **Laboratory Courses:**

Student's performance in Laboratories / Workshop shall be assessed during the year/ semester of study for 40 marks in each practical Course.

**Evaluation for Laboratory Courses, other than drawing courses:**

- i. Instruction (teaching) in laboratory courses (except for the course on Drawing) hereafter shall be task/competency based as delineated in the Laboratory sheets, prepared by SBTET, AP & NITTTR- ECV and posted in SBTET website.
- ii. Internal assessment for Laboratory shall be done on the basis of tasks performed by the student as delineated in the laboratory sheets, prepared by SBTET, AP & NITTTR- ECV and posted in AP, SBTET website.
- iii. Question paper for End semester Evaluation shall also be task based and shall be prepared and distributed by SBTET as done in case of theory courses be prepared as per SBTET rules in vogue.

- c) Internal assessment in Labs / workshops / Survey field work etc., during the course of study shall be done and sessional marks shall be awarded by the concerned Teacher.
- d) For practical examinations, except in drawing, there shall be two examiners. External examiner shall be appointed by the Principal in consultation with respective Head of Section preferably choosing a qualified person from in the order of preference.
- i) Nearby Industry
- ii) Govt / Semi Govt organization like R & B, PWD, PR, Railways, BSNL, APSRTC, APSEB etc.,
- iii) Govt / University Engg College.
- iv) HoDs from Govt. Polytechnic

Internal examiner shall be the person concerned with internal assessment as in (c) above. The end examination shall be held along with all theory papers in respect of drawing.

- e) Question Paper for Practicals: Question paper should cover ( the experiments / exercise prescribed to test various) skills like handling, manipulating, testing, trouble shooting, repair, assembling and dismantling etc., from more than one experiment / exercise
- f) Records pertaining to internal assessment marks of both theory and practical Courses are to be maintained for official inspection.
- g) **In case of Diploma programs *having* Industrial Training, Internal Assessment and Summative Evaluation**, shall be done as illustrated in the following table:

Assessment no	Upon completion of	By	Based on	Max Marks
1	12 weeks	1.The faculty concerned and 2. Training Mentor of the industry	Learning outcomes as given in the scheme of assessment ,for Industrial Training	120
2	20-22 weeks			120
3.Final summative Evaluation	23 week	1.The faculty member concerned, 2.HoD concerned and 3.An external examiner	1.Demonstration of any one of the skills listed in learning outcomes	30
			2.Training Report	20
			3.Viva Voce	10
<b>TOTAL</b>				<b>300</b>

## 10 MINIMUM PASS MARKS

### THEORY EXAMINATION:

For passing a theory Course, a candidate has to secure a minimum of 35% in end examination and a combined minimum of 35% of both Sessional and end examination marks put together.

### PRACTICAL EXAMINATION:

For passing a practical Course, a candidate has to secure a minimum of 50% in end examination and a combined minimum of 50% of both sessional and practical end examination marks put together. In case of D.C.C.P., the pass mark for typewriting and short



hand is 45% in the end examination. There are no sessional marks for typewriting and Shorthand Courses of D.C.C.P course.

**INDUSTRIAL ASSESSMENT:**

Pass marks is 50% in assessment at Industry ( I and II assessments put together) and also 50% in final summative assessment at institution level

**11. PROVISION FOR IMPROVEMENT**

Improvement is allowed only after he / she has completed all the Courses from First Year to Final semester of the Diploma.

- a) Improvement is allowed in any 4 (Four) Courses of the Diploma.
- b) The student can avail of this improvement chance **ONLY ONCE**, that too within the succeeding two examinations after the completion of Diploma. However, the duration including Improvement examination shall not exceed **FIVE** years from the year of first admission.
- c) No improvement is allowed in Practical / Lab Courses or Project work or Industrial Training assessment. However, improvement in drawing Course(s) is allowed.
- d) If improvement is not achieved, the marks obtained in previous Examinations hold good.
- e) Improvement is not allowed in respect of the candidates who are punished under Mal-practice in any Examination.
- f) Examination fee for improvement shall be paid as per the notification issued by State Board of Technical Education and Training from time to time.
- g) All the candidates who wish to appear for improvement of performance shall deposit the original Marks Memos of all the years / Semesters and also original Diploma Certificate to the Board. If there is improvement in performance of the current examination, the revised Memorandum of marks and Original Diploma Certificate will be issued, else the submitted originals will be returned.

**12. RULES OF PROMOTION FROM 1<sup>ST</sup> YEAR TO 3<sup>RD</sup>, 4<sup>TH</sup>, 5<sup>TH</sup>, 6<sup>TH</sup> and 7<sup>TH</sup> SEMESTERS:**

**A) For Diploma Courses of 3 Years duration**

- i. A candidate shall be permitted to appear for first year examination provided he / she puts in 75% attendance (which can be condoned on Medical grounds upto 10%) i.e. attendance after condonation on Medical grounds should not be less than 65% and pay the examination fee.
- ii. A candidate shall be promoted to 3<sup>rd</sup> semester if he/she puts the required percentage of attendance in the first year and pays the examination fee. A candidate who could not pay the first year examination fee has to pay the promotion fee as prescribed by State Board of Technical Education and Training, AP from time to time before commencement of 3<sup>rd</sup> semester.
- iii. A candidate shall be promoted to 4<sup>th</sup> semester provided he/she puts the required percentage of attendance in the 3<sup>rd</sup> semester and pay the examination fee. A candidate, who could not pay the 3<sup>rd</sup> semester exam fee, has to pay the promotion fee as prescribed by State Board of Technical Education and Training AP from time to time before commencement of 4<sup>th</sup> semester.

A candidate is eligible to appear for the 4<sup>th</sup> semester examination if he/she

- a) Puts the required percentage of attendance in the 4<sup>th</sup> semester
- b) Should not have failed in more than four Courses in 1<sup>st</sup> year

**For IVC & ITI Lateral Entry Students:**

- a) A candidate is eligible to appear for the 4<sup>th</sup> semester examination if he/she puts the required percentage of attendance in the 4<sup>th</sup> semester
  - b) A candidate is eligible to appear for the 4<sup>th</sup> semester examination if he/she clears at least two Courses in third semester.
- iv) A candidate shall be promoted to 5<sup>th</sup> semester provided he / she puts the required percentage of attendance in the 4<sup>th</sup> semester and pays the examination fee. A candidate, who could not pay the 4<sup>th</sup> semester examination fee, has to pay the promotion fee as prescribed by State Board of Technical Education and Training from time to time before commencement of 5<sup>th</sup> semester.

A candidate is eligible to appear for the 5<sup>th</sup> semester examination if he/she

- a) Puts the required percentage of attendance in the 5<sup>th</sup> semester
- b) Should get eligibility to appear for 4<sup>th</sup> Semester examination.

The first backlog exam in 5<sup>th</sup> semester will be conducted only in instant/supplementary diploma examination.

**For IVC& ITI Lateral Entry students:**

- a) Puts the required percentage of attendance in the 5<sup>th</sup> semester
- b) Should get eligibility to appear for 4<sup>th</sup> Semester examination.

- v) A candidate shall be sent to Industrial training provided he/she puts in the required percentage of attendance in the 4<sup>th</sup> semester and pay the examination fee/ promotion fee as prescribed by SBTET.

A candidate is eligible to appear for Industrial Training assessment (Seminar/Viva-voce)

- a) Puts the required percentage of attendance, ie., 90% in 6th semester Industrial Training

**For IVC & ITI Lateral Entry students:**

- a) Puts the required percentage of attendance, ie., 90% in 6<sup>th</sup> semester Industrial Training.
- b) should get eligibility to appear for 5<sup>th</sup> Semester Examination.

**B) For Diploma Courses of 3 ½ Years duration (MET/ CH/ CHPP/ CHPC/ CHOT/ TT ):**

- i. A candidate shall be permitted to appear for 1<sup>st</sup> year examination provided he / she puts in 75% attendance (which can be condoned on Medical grounds upto 10%) i.e. attendance after condonation on Medical grounds should not be less than 65% and pay the examination fee.
- ii. A candidate shall be promoted to 3<sup>rd</sup> semester if he/she puts the required percentage of attendance in the 1<sup>st</sup> year and pays the examination fee. A candidate who could not pay the 1<sup>st</sup> year examination fee has to pay the promotion fee as prescribed by State Board of Technical Education and Training from time to time before commencement of 3<sup>rd</sup> semester.
- iii. A candidate shall be promoted to 4<sup>th</sup> semester provided he/she puts the required percentage of attendance in the 3<sup>rd</sup> semester and pay the examination fee. A candidate, who could not pay the 3<sup>rd</sup> semester exam fee, has to pay the promotion fee as prescribed by State Board of Technical Education and Training from time to time before commencement of 4<sup>th</sup> semester.

A candidate is eligible to appear for the 4<sup>th</sup> semester exam if he/she

- a). Puts the required percentage of attendance in the 4<sup>th</sup> semester
- b). Should not have failed in more than Four backlog Courses of 1<sup>st</sup> year.

**For IVC & ITI Lateral Entry students:**

- a) Puts the required percentage of attendance in the 4<sup>th</sup> semester
- iv. A candidate shall be promoted to 5th semester industrial training provided he / she puts the required percentage of attendance in the 4th semester and pays the examination fee. A candidate, who could not pay the 4th semester examination fee, has to pay the promotion fee as prescribed by State Board of Technical Education and Training from time to time before commencement of 5th semester.
- v. Promotion from 5th to 6th semester is automatic (i.e., from 1st spell of Industrial Training to 2nd spell) provided he/she puts the required percentage of attendance, which in this case ie.,90 % of attendance and attends for the VIVA-VOCE examination at the end of training.
- vi. A candidate shall be promoted to 7th semester provided he / she puts the required percentage of attendance in the 6th semester and pays the examination fee. A candidate, who could not pay the 6th semester examination fee, has to pay the promotion fee as prescribed by State Board of Technical Education and Training from time to time before commencement of 7th semester.
- vii. A candidate shall be promoted to 7th semester of the course provided he/she has successfully completed both the spells of Industrial Training.

A candidate is eligible to appear for 7th semester examination if he/she

- a) Puts in the required percentage of attendance in the 7th semester
- b) Should get eligibility to appear for 4<sup>th</sup> semester Examination.

**For IVC & ITI Lateral Entry students:**

- a) Puts in the required percentage of attendance in the 7th semester
- b) Should not have failed more than four backlog Courses of 3<sup>rd</sup> Semester

**C) For Diploma Courses of 3 ½ Years duration (BM):**

The same rules which are applicable for conventional courses also apply for this course. The industrial training in respect of this course is restricted to one semester (6 months) after the 6<sup>th</sup> semester (3 years) of the course.

- i. A candidate shall be permitted to appear for first year examination provided he / she puts in 75% attendance (which can be condoned on Medical grounds upto 10%) i.e. attendance after condonation on Medical grounds should not be less than 65% and pay the examination fee.
- ii. A candidate shall be promoted to 3<sup>rd</sup> semester if he/she puts the required percentage of attendance in the first year and pays the examination fee. A candidate who could not pay the first year examination fee has to pay the promotion fee as prescribed by State Board of Technical Education and Training from time to time before commencement of 3<sup>rd</sup> semester.
- iii. A candidate shall be promoted to 4<sup>th</sup> semester provided he/she puts the required percentage of attendance in the 3<sup>rd</sup> semester and pay the examination fee. A candidate who could not pay the 3<sup>rd</sup> semester examination fee, has to pay the promotion fee as prescribed by State Board of Technical Education and Training from time to time before commencement of 4<sup>th</sup> semester.

A candidate is eligible to appear for the 4<sup>th</sup> semester examination if he/she

- a) Puts in the required percentage of attendance in the 4<sup>th</sup> semester
- b) Should not have failed in more than Four backlog Courses of 1<sup>st</sup> year

**For IVC & ITI Lateral Entry Students:**

A candidate is eligible to appear for the 4<sup>th</sup> semester examination if he/she puts the required percentage of attendance in the 4<sup>th</sup> semester

- iv. A candidate shall be promoted to 5<sup>th</sup> semester provided he / she puts the required percentage of attendance in the 4<sup>th</sup> semester and pays the examination fee. A candidate, who could not pay the 4<sup>th</sup> semester examination fee, has to pay the promotion fee as prescribed by State Board of Technical Education and Training from time to time before commencement of 5<sup>th</sup> semester.

A candidate is eligible to appear for the 5<sup>th</sup> semester exam if he/she

- a) Puts in the required percentage of attendance in the 5<sup>th</sup> semester.
- b) Should get eligibility to appear for 4<sup>th</sup> Semester examination.

**For IVC & ITI Lateral Entry students:**

- a) Puts in the required percentage of attendance in the 5<sup>th</sup> semester.
- b) Should not have failed in more than Four backlog Courses of 3<sup>rd</sup> Semester.

- v. A candidate shall be promoted to 6<sup>th</sup> semester provided he/she puts in the required percentage of attendance in the 5<sup>th</sup> semester and pays the examination fee. A candidate who could not pay the 5<sup>th</sup> semester examination fee, has to pay the promotion fee as prescribed by State Board of Technical Education and Training from time to time before commencement of 6<sup>th</sup> semester.

A candidate is eligible to appear for 6<sup>th</sup> semester examination

- a) Puts in the required percentage of attendance in 6<sup>th</sup> semester and
- b) Should get eligibility to appear for 4<sup>th</sup> Semester Examination.

**For IVC & ITI Lateral Entry students:**

- a) Puts in the required percentage of attendance in 6<sup>th</sup> semester.
- b) Should get eligibility to appear for 5<sup>th</sup> Semester Examination.

- vi. A candidate shall be promoted to 7th semester provided he/she puts in the required percentage of attendance in 6th semester and pay the examination fee. A candidate, who could not pay the 6th semester examination fee, has to pay the promotion fee prescribed by SBTET from time to time before commencement of the 7th semester (Industrial Training).

A candidate is eligible to appear for 7th semester Industrial Training assessment (Seminar/Viva-voce) if he/she

- a) Puts in the required percentage of attendance, ie., 90% in 7th semester Industrial Training
- b) Should get eligibility to appear for 4th Semester Examination.

**For IVC & ITI Lateral Entry students:**

- a) Puts in the required percentage of attendance, ie., 90% in 7<sup>th</sup> semester Industrial Training.
- b) Should get eligibility to appear for 5<sup>th</sup> Semester Examination.

**Important Note:**

**Seminar/Viva-voce should not be conducted for Not-Eligible Candidates, till the candidate gets eligibility. However, the record of internal Assessment for Industrial Training for 260 marks shall be maintained at Institution Level for all candidates and the data is to be uploaded only for eligible candidates. For not eligible candidates the data is to be uploaded as and when the candidate gets eligibility.**

## OTHER DETAILS

- a) In case a candidate does not successfully complete the Industrial training, he / she will have to repeat the training at his / her own cost.
- b) The First spell of Industrial training shall commence 10 days after the completion of the last theory examination of 4th Semester.
- c) The Second spell of Industrial training shall commence within 10 days after the completion of first spell of Industrial training.

### 13. STUDENTS PERFORMANCE EVALUATION

Successful candidates shall be awarded the Diploma under the following divisions of pass.

- a) First Class with Distinction shall be awarded to the candidates who secure an overall aggregate of 75% marks and above.
- b) First Class shall be awarded to candidates who secure overall aggregate of 60% marks and above and below 75% marks.
- c) Second Class shall be awarded to candidates who secure a pass with an overall aggregate of below 60%.
  - i. The Weightage of marks for various year/Semesters which are taken for computing overall aggregate shall be 25% of I year marks + 100% of 3<sup>rd</sup> and subsequent Semesters.
  - ii. In respect IVC & ITI Lateral Entry candidates who are admitted directly into diploma course at the 3<sup>rd</sup> semester (i.e., second year) level the aggregate of (100%) marks secured at the 3<sup>rd</sup> and subsequent semesters of study shall be taken into consideration for determining the overall percentage of marks secured by the candidates for award of class/division.
- d) Second Class shall be awarded to all students, who fail to complete the Diploma in the regular 3 years/ 3 ½ years and four subsequent examinations, from the year of first admission.

### 14. EXAMINATION FEE SCHEDULE:

The examination fee should be as per the notification issued by State Board of Technical Education and Training, AP from time to time.

### 15. STRUCTURE OF EXAMINATION QUESTION PAPER:

#### I. Formative assessment (Internal examination)

##### a) For theory Courses:

Three unit tests for first year and two unit tests for semesters shall be conducted with a duration of 90 minutes for each test for maximum marks of 40. It consists of part A and Part B.

**Part A** contains five questions and carries 16 marks. Among these five questions first question consists of four objective items like one word or phrase answer/filling-in the blanks/true or false etc with one mark for each question. The other four questions are short answer questions and carry three marks each.

**Part B** carries 24 marks and consists of three questions with internal choice i.e., Either/Or type, and each question carries 8 marks.

The sum of marks of 3 tests for I year and 2 tests for semesters shall be reduced to 20 marks in each Course for arriving at final sessional marks.

**b) For drawing Courses:**

**For I year:**

Three unit tests with duration of 90 minutes and for maximum marks of 40 marks shall be conducted for first year. It consists of part A and Part B.

Part A consists four questions for maximum marks of 16 and each question carries four marks (4×4 marks=16 marks).

Part B carries maximum marks of 24 and consists of five questions while the student shall answer any three questions out of these five questions. Each question in this part carries a maximum marks of 8, (3×8 marks=24 marks).

The sum of marks obtained in 3 unit test marks shall be reduced to 20 marks for arriving at final sessional marks. Remaining 20 marks are awarded by the Course teacher based on the student's performance during regular class exercise.

**For semester:** Two unit tests with duration of 90 minutes and for maximum marks of 40 marks shall be conducted. The sum of marks obtained in 2 unit test marks shall be reduced to 20 marks for arriving at final sessional marks. Remaining 20 marks are awarded by the Course teacher based on the student's performance during regular class exercise

**c) For Laboratory /workshop:** 50% of total marks for the Course shall be awarded based on continuous assessment of the student in laboratory/workshop classes and the remaining 50% shall be based on the sum of the marks obtained by the students in two tests.

**II. Summative assessment (End examination)**

The question paper for theory examination is patterned in such a manner that the Weightage of periods/marks allotted for each of the topics for a particular Course be considered. End Examination paper is of 3 hours duration.

a) **Each theory paper consists of Section 'A', 'B' and 'C'.**

**Section 'A' with Max marks of 30**, contains 10 short answer questions. All questions are to be answered and each carries 3 marks, i.e.,  $10 \times 3 = 30$ .

**Section 'B' with Max marks of 40** contains 5 essay type questions including Numerical questions (without any divisions in the question), with internal choice(Either/or type), each carrying 8 marks, i.e., Max. Marks:  $5 \times 8 = 40$ .

**Section 'C' with Max marks of 10** contains single essay type, Higher order Thinking skills question (HoTs)including Numerical questions, without choice (without any divisions in the question),

**Thus the total marks for theory examination shall be: 80.**

b) **For Engineering Drawing Course (107) consist of section 'A' and section 'B'.**

**Section 'A' with max marks of 20**, contains four (4) questions. All questions in section 'A' are to be answered to the scale and each carries 5 marks, ie.  $4 \times 5 = 20$ .

**Section 'B' with max marks of 40**, contains six (6) questions. The student shall answer any four (4) questions out of the above six questions and each question carries 10 Marks, ie.  $4 \times 10 = 40$ .

**c) Practical Examinations**

For Workshop practice and Laboratory Examinations, Each student has to pick up a question paper distributed by Lottery System.

Max. Marks for an experiment / exercise : 50

Max. Marks for VIVA-VOCE : 10

Total Max. Marks : 60

In case of practical examinations with 50 marks, the marks shall be distributed as

Max. Marks for an experiment / exercise : 25

Max. Marks for VIVA-VOCE : 05

Total Max. Marks : 30

In case of any change in the pattern of question paper, the same shall be informed sufficiently in advance to the candidates.

**d) Note: Evaluation for Laboratory Courses, other than Drawing courses:**

- I. Instruction (teaching) in laboratory courses (except for the course on Drawing) hereafter shall be task/competency based as delineated in the Laboratory sheets, prepared by SBTET, AP and posted in its website.
- II. Internal assessment for Laboratory shall be done on basis of task/s performed by the student as delineated in the laboratory sheets, prepared by SBTET, AP and posted in its website.
- III. Question paper for End semester Evaluation shall be prepared as per SBTET rules in vogue.

**16. ISSUE OF MEMORANDUM OF MARKS**

All candidates who appear for the end examination will be issued memorandum of marks without any payment of fee. However candidates who lose the original memorandum of marks have to pay the prescribed fee to the Secretary, State Board of Technical Education and Training, A.P. for each duplicate memo from time to time.

**17. MAXIMUM PERIOD FOR COMPLETION OF DIPLOMA Programmes:**

Maximum period for completion of the diploma courses is twice the duration of the course from the date of First admission (includes the period of detention and discontinuation of studies by student etc) failing which they will have to forfeit the claim for qualifying for the award of Diploma (They will not be permitted to appear for examinations after that date). This rule applies for all Diploma courses of 3 years and  $3 \frac{1}{2}$  years of engineering and non-engineering courses.

**18. ELIGIBILITY FOR AWARD OF DIPLOMA**

A candidate is eligible for award of Diploma Certificate if he / she fulfil the following academic regulations.

- i. He / She pursued a course of study for not less than  $3 / 3 \frac{1}{2}$  academic years & not more than  $6 / 7$  academic years.

- ii. He / she have completed all the Courses.  
Students who fail to fulfil all the academic requirements for the award of the Diploma within 6 / 7 academic years from the year of admission shall forfeit their seat in the course & their seat shall stand cancelled.

**For IVC & ITI Lateral Entry students:**

- i. He / She pursued a course of study for not less than 2 / 2 ½ academic years & not more than 4 / 5 academic years.
- ii. He / she has completed all the Courses.  
Students who fail to fulfil all the academic requirements for the award of the Diploma within 4 / 5 academic years from the year of admission shall forfeit their seat in the course & their seat shall stand cancelled.

**19. ISSUE OF PHOTO COPY OF VALUED ANSWER SCRIPT, RECOUNTING& REVERIFICATION:**

**A) FOR ISSUE OF PHOTO COPIES OF VALUED ANSWER SCRIPTS**

- I. A candidate desirous of applying for Photo copy of valued answer script/s should apply within prescribed date from the date of the declaration of the result.
- II. Photo copies of valued answer scripts will be issued to all theory Courses and Drawing Course(s).
- III. The Photo copy of valued answer script will be dispatched to the concerned candidate's address as mentioned in the application form by post.
- IV. No application can be entertained from third parties.

**B) FOR RE-COUNTING(RC) and RE-VERIFICATION(RV) OF THE VALUED ANSWER SCRIPT**

- i. A candidate desirous of applying for Re-verification of valued answer script should apply within prescribed date from the date of the declaration of the result.
- ii. Re-verification of valued answer script shall be done for all theory Courses' and Drawing Course(s).
- iii. The Re-verification committee constituted by the Secretary, SBTETAP with Course experts shall re-verify the answer scripts.

**I. RE-COUNTING**

The Officer of SBTET will verify the marks posted and recount them in the already valued answer script. The variations if any will be recorded separately, without making any changes on the already valued answer script. The marks awarded in the original answer script are maintained (hidden).

**II. RE-VERIFICATION**

- (i) The Committee has to verify the intactness and genuineness of the answer script(s) placed for Re-verification.
- (ii) Initially single member shall carry out the re-verification.
- (iii) On re-verification by single member, if the variation is less than 12% of maximum marks, and if there is no change in the STATUS in the result of the candidate, such cases will not be referred to the next level ie., for 2-Tier evaluation.
- (iv) On re-verification by a single member, if the variation is more than 12% of maximum marks, it will be referred to 2-Tier evaluation.



- (v) If the 2-Tier evaluation confirms variation in marks as more than 12% of maximum marks, the variation is considered as follows:
  - a) If the candidate has already passed and obtains more than 12% of the maximum marks on Re-verification, then the variation is considered.
  - b) If the candidate is failed and obtains more than 12% of the maximum marks on Re-verification and secured pass marks on re-verification, then the status of the candidate changes to PASS.
  - c) If a candidate is failed and obtains more than 12% of the maximum marks on Re-verification and if the marks secured on re-verification are still less than the minimum pass marks, the status of the candidate remain FAIL only.
- (vii) After Re-verification of valued answer script the same or change if any therein on Re-verification, will be communicated to the candidate.
- (viii) On Re-verification of Valued Answer Script if the candidate's marks are revised, the fee paid by the candidate will be refunded or else the candidate has to forfeit the fee amount.

**Note:** No request for Photo copies/ Recounting /Re-verification of valued answer script would be entertained from a candidate who is reported to have resorted to Malpractice in that examination.

**20. MAL PRACTICE CASES:**

If any candidate resorts to Mal Practice during examinations, he / she shall be booked and the Punishment shall be awarded as per SBTETAP rules and regulations in vogue.

**21. DISCREPANCIES/ PLEAS:**

Any Discrepancy /Pleas regarding results etc., shall be represented to the SBTETAP within one month from the date of issue of results. Thereafter, no such cases shall be entertained in any manner.

**22. ISSUE OF DUPLICATE DIPLOMA**

If a candidate loses his/her original Diploma Certificate and desires a duplicate to be issued he/she should produce written evidence to this effect. He / she may obtain a duplicate from the Secretary, State Board of Technical Education and Training, A.P., on payment of prescribed fee and on production of an affidavit signed before a First Class Magistrate (Judicial) and non-traceable certificate from the Department of Police. In case of damage of original Diploma Certificate, he / she may obtain a duplicate certificate by surrendering the original damaged certificate on payment of prescribed fee to the State Board of Technical Education and Training, A.P.

In case the candidate cannot collect the original Diploma within 1 year from the date of issue of the certificate, the candidate has to pay the penalty prescribed by the SBTET AP from time to time.

**23. ISSUE OF MIGRATION CERTIFICATE AND TRANSCRIPTS:**

The Board on payment of prescribed fee will issue these certificates for the candidates who intend to prosecute Higher Studies in India or Abroad.

## 24.SPECIFIC CHANGES INCORPORATED IN PRESENT CURRICULUM C-20

### CME

#### Changes imposed in theory subjects

**1. CM-105 , Basics of Computer Engineering(BCE) :**

Introduced Hardware Concepts, advanced computer technologies like big data, Ethical hacking, Machine Learning, Augmented Reality, Virtual Reality and mixed reality concepts and other related VR terminology

**2. CM-302, Digital Electronics:**

Introduced the topic Number systems (Removed in BCE and Moved to Digital Electronics)

**3. CM-305, DBMS:**

Introduced the topic cursors and triggers in PL/SQL

**4. CM-402, Web Technologies:**

Subject title was changed from Web Designing to Web Technologies after adding the additional topics AJAX, JQuery, Angular JS and “Form handling” in Java script as well as in PHP.

**5. CM-403, Computer Organization and Microprocessors :**

The title is changed to Computer Organization and Microprocessors.

Introduced the topic Fundamentals of 8086 and Microprocessors (Architecture of 8086, Architecture of Pentium and comparative study of 80286, 80386, 80486 and Pentium processors)

**6. CM-404. OOPs Through C++:**

Introduced new subject to enable the students to learn Object Oriented Programming concept skills

**7. CM-405. Computer Networks:**

Introduced new subject to enable the students to learn Computer Network concepts and methodologies as per ISO/OSI standards

**8. CM-501.Industrial Management and Entrepreneurship:**

The subject title is changed Industrial Management and Smart Technologies to Industrial Management and Entrepreneurship as the smart technology concept is already being covered in the newly introduced subject called Internet of Things,CM-504.

**9. CM-502,Java Programming:**

A new advance topic by name “collections” is introduced to meet the current industrial

standards.

**10. CM-503, Software Engineering:**

Unified modelling language(UML) design concepts and case study is introduced in UNIT-4.

**11. CM-504. Internet Of Things:**

Introduced new subject to make the students to learn and to become globally competitive enough with latest advancements in computer science and Engg., like sensor networks ,cloud computing, WPAN, RFID, NFC, ZIGBEE and various protocols like XMPP, COAP, etc.,

**12. CM-505. Python Programming:**

Introduced new subject to enable the students to learn advanced programming language to develop machine learning application, GUI based applications, IOT based applications, database and web applications

**Changes imposed in the Practical subjects**

**1. CM110: Computer Fundamentals Lab :**

introduced Adobe Photoshop exercises

**2. CM-308: DBMS Lab:**

Introduced the exercises on cursors and triggers in PL/SQL to enforce constraints and data validation and verification.

**3. CM-309: Multimedia Lab:**

Introduced the new Lab with Scribus/PageMaker, GIMP/ Photoshop, Telugu DTP, ADOBE Flash to get students acquainted with DTP and multimedia packages which makes the passed out students to readily accept Local Jobs for immediate placements. Experiments on MS-Access are included to enable the students to work with data bases which are the prerequisite for further courses.

**4. CM-406: Web Technologies Lab:**

Subject title was changed from Web Designing Lab to Web Technologies Lab after adding additional exercises on latest tools like AJAX, JQuery ,Angular JS and Form handling in Java Script as well as in PHP.

**5. CM-407: OOPs Through C++ Lab:**

Introduced new Lab to learn Object Oriented Programming concepts thoroughly

**6. CM-409: Computer Hardware & Network Maintenance Lab:**

Introduced new Lab to impart the skills in computer hardware maintenance and Network maintenance, Network Administration instead of mere acquiring theoretical knowledge.

**7. CM-506: Java Programming Lab:**

Programs on new advanced topic by name "collections" are introduced

**8. CM-507: Python Programming Lab:**

Introduced new Lab to enable the students to learn advanced programming language to develop machine learning applications, GUI based applications, Database and Web based real time applications

**9. CM-509: Project work:**

New practical subject introduced. The subject introduced to encourage the student's application skills and team management skills. Student has to design, develop, test, validate and deploy the software/Hardware project which solves the real time day to day problems of individuals, organisations and IT industries.

**10. CM-601 Industrial Training:** A six month Industrial training is introduced exclusively to get training from the industries.(instead of in-house training as per ( C-16 curriculum)

**11. Mini projects are included.**

**25. GENERAL**

- i. The Board may change or amend the academic rules and regulations or syllabi at any time and the changes or amendments made shall be applicable to all the students, for whom it is intended, with effect from the dates notified by the competent authority.
- ii. All legal matters pertaining to the State Board of Technical Education and Training, AP are within the jurisdiction of Vijayawada.
- iii. In case of any ambiguity in the interpretation of the above rules, the decision of the Secretary, SBTET, A.P is final.

## COMPUTER ENGINEERING

### VISION

Develop Computer Engineers to be technologically adept, innovative, self-motivated and responsible citizen with human values , high quality skills and to contribute significantly towards ever changing Computer Technologies.

### MISSION

M1	To provide opportunity to Diploma students who are capable of playing pivotal role in wide aspects of modern Computer Engineering.
M2	To make the students understand basic concepts underlie in Computer Engineering and able to apply them creatively in different fields of Engineering
M3	To train the student sensitive to the Environment, safety and economic context.
M4	To produce technically skilled students through intensive training in Computer Engineering tools and application and to prepare the students for professional career and further research.

### PROGRAMME EDUCATIONAL OBJECTIVES(PEOs)

Computer Engineering programme is ever changing to transform students into competent professionals with qualities, ethics and human values. On completion of the integrated programme, the students should have acquired the following characteristics

PEO1	To produce best <b>Diploma in Computer Engineering</b> technicians by correlating growing need of the industries in modern topics with the academic input and giving the technical knowledge for further learning.
PEO2	To prepare the students as productive Computer Engineers, possessing supportive and leadership skills in multidisciplinary domains, expertise in Practical orientation, Communication Skills and latest developments.
PEO3	To give the depth of related skills and expertise in a single field, and the ability to collaborate with other disciplines and work at the Supervisory cadre.
PEO4	To promote the students in professionalism, by successful completion of the <b>Diploma in Computer Engineering</b> by emphasizing Field Practices in industry oriented activities.
PEO5	To sensitize the students on social and economic commitment and to inculcate a nature to guard the values of community and protect environment.

### PROGRAMME SPECIFIC OUTCOMES (PSOs)

PSO1	Foundation of Computer System: Ability to understand the principles and working of computer systems and can assess the hardware and software aspects of computer systems.
PSO2	Foundations of Software development: Ability to understand the structure and development methodologies of software systems. Possess professional skills and knowledge of software design process. Familiarity and practical competence with a broad range of programming language and open source platforms.
PSO3	Foundation of mathematical concepts: Ability to apply mathematical methodologies to solve computation task, model real world problem using appropriate data structure and suitable algorithm, methodologies in developing computer related problem solutions as well as apply them in establishing new firms in small scale with the help of experience gained as part of industrial training.

### PROGRAM OUTCOMES (POs)

Students completing Diploma in Computer Engineering are anticipated to have the following abilities	
PO1	Basic and Discipline specific knowledge: Apply knowledge of basic mathematics, science and engineering fundamentals and engineering specialization to solve the engineering problems.
PO2	Problem analysis: Identify and analyse well-defined engineering problems using codified standard methods.
PO3	Design/ development of solutions: Design solutions for well-defined technical problems and assist with the design of systems components or processes to meet specified needs.
PO4	Engineering Tools, Experimentation and Testing: Apply modern engineering tools and appropriate technique to conduct standard tests and measurements.
PO5	Engineering practices for society, sustainability and environment: Apply appropriate technology in context of society, sustainability, environment and ethical practices.
PO6	Project Management: Use engineering management principles individually, as a team member or a leader to manage projects and effectively communicate about well-defined engineering activities.
PO7	Life-long learning: Ability to analyse individual needs and engage in updating in the context of technological changes.

### MAPPING OF PEOs WITH MISSIONS

PEO	M1	M2	M3	M4
To produce best <b>Diploma in Computer Engineering</b> technicians by correlating growing need of the industries in modern topics with the academic input and giving the technical knowledge for further learning.	✓	✓	✓	✓
To prepare the students as productive Computer Engineers, possessing supportive and leadership skills in multidisciplinary domains, expertise in Practical orientation, Communication Skills and latest developments.	✓	✓	✓	✓
To give the depth of related skills and expertise in a single field, and the ability to collaborate with other disciplines and work at the Supervisory cadre.	✓	✓	✓	✓
To promote the students in professionalism, by successful completion of the <b>Diploma in Computer Engineering</b> by emphasizing Field Practices in industry oriented activities.	✓	✓	✓	✓
To sensitize the students on social and economic commitment and to inculcate a nature to guard the values of community and protect environment.	✓	✓	✓	✓

**NOTE :**

In some of the courses PO5, PO6 and PO7 strength is between 1 and 2, to strengthen them, the following remedial measures for all the courses are suggested.

Short fall in PO	Remedial measures
PO5	By conducting 1) Guest lectures on motivational aspects and ethics 2) Concerned teacher will educate the students to follow ethics and morals in developing solutions 3) Providing access to Online courses like Swayam program 4) Seminars by senior students to the junior students to assimilate the methods followed by them to the juniors 5) Head of section will frequently visit and observe the activities being followed by the students to correct their behaviour and to inculcate morals and ethics
PO6	They can achieve this from <b>industrial training</b> module scheduled in 6 <sup>th</sup> semester of this curriculum by observing, analyzing and applying the mathematical and scientific fundamentals in solving the real time problems that will arise in day to day activities in industry.

PO7	<ol style="list-style-type: none"> <li>1. Providing access to Online courses like Swayam program</li> <li>2. By utilizing Learning Management System(LMS) established by SBTET</li> <li>3. By subscribing e-magazines/ print magazines to the institute library and made them accessible to the students.</li> <li>4. By arranging Guest lectures from the technical experts.</li> </ol>
-----	--

**DIPLOMA IN COMPUTER ENGINEERING  
SCHEME OF INSTRUCTIONS AND EXAMINATION**

**CURRICULUM-2020**

**(FIRST YEAR)**

Sub Code	Name of the Subject	Instruction Periods/Week		Total Periods Per Year	Scheme Of Examinations			
		Theory	Practicals		Duration (hrs)	Sessional Marks	End Exam Marks	Total Marks
<b>THEORY SUBJECTS</b>								
CM-101	English-I	3	-	90	3	20	80	100
CM-102	Engineering Mathematics - I	5	-	150	3	20	80	100
CM-103	Engineering Physics	4	-	120	3	20	80	100
CM-104	Engineering Chemistry and Environmental studies	4	-	120	3	20	80	100
CM-105	Basics of Computer Engineering	3	-	90	3	20	80	100
CM-106	Programming in C	5	-	150	3	20	80	100
<b>PRACTICAL SUBJECTS</b>								
CM-107	Engineering Drawing	-	6	180	3	40	60	100
CM-108	Programming in C Lab	-	6	180	3	40	60	100
CM-109	Physics Lab	-	3	90	1.5	20	30	50
	Chemistry Lab	-	3	90	1.5	20	30	50
CM-110	Computer Fundamentals Lab	-	3	90	3	40	60	100
	<b>Total</b>	<b>24</b>	<b>18</b>		-			<b>1000</b>

CM-101,102,103,104,107,109,110 common with all branches



**DIPLOMA IN COMPUTER ENGINEERING  
SCHEME OF INSTRUCTIONS AND EXAMINATION**

**CURRICULUM-2020**

**(III Semester)**

Sub Code	Name of the Subject	Instruction Periods/Week		Total Periods Per Semester	Scheme Of Examinations			
		Theory	Practicals		Duration (hrs)	Sessional Marks	End Exam Marks	Total Marks
<b>THEORY SUBJECTS</b>								
CM-301	Mathematics –II	4		60	3	20	80	100
CM-302	Digital Electronics	5	-	75	3	20	80	100
CM-303	Operating systems	4	-	60	3	20	80	100
CM-304	Data Structures through C	6	-	90	3	20	80	100
CM-305	DBMS	6	-	90	3	20	80	100
<b>PRACTICAL SUBJECTS</b>								
CM-306	Digital Electronics Lab	-	3	45	3	40	60	100
CM-307	Data Structures Through C Lab	-	6	90	3	40	60	100
CM-308	DBMS Lab	-	4	60	3	40	60	100
CM-309	Multimedia Lab		4	60	3	40	60	100
	<b>Total</b>	<b>25</b>	<b>17</b>	<b>630</b>		<b>260</b>	<b>640</b>	<b>900</b>

CM-301 common with all branches

CM-303,304,305,307,308,309 common with DIT branch

**DIPLOMA IN COMPUTER ENGINEERING  
SCHEME OF INSTRUCTIONS AND EXAMINATION**

**CURRICULUM-2020**

**(IV Semester)**

Sub Code	Name of the Subject	Instruction Periods/ Week		Total Periods Per Semester	Scheme Of Examinations			
		Theory	Practicals		Duration (hrs)	Sessional Marks	End Exam Marks	Total Marks
<b>THEORY SUBJECTS</b>								
CM-401	Mathematics III	3	-	45	3	20	80	100
CM-402	Web Technologies	5	-	75	3	20	80	100
CM-403	Computer Organization And Microprocessors	5	-	75	3	20	80	100
CM-404	OOP through C++	5	-	75	3	20	80	100
CM-405	Computer Networks	5	-	75	3	20	80	100
<b>PRACTICAL SUBJECTS</b>								
CM-406	Web Technologies Lab	-	6	90	3	40	60	100
CM-407	OOP through C++ Lab	-	4	60	3	40	60	100
CM-408	Communication Skills	-	3	45	3	40	60	100
CM-409	Computer Hardware & Network Maintenance Lab	-	6	90	3	40	60	100
	<b>Total</b>	<b>23</b>	<b>19</b>	<b>630</b>	<b>-</b>	<b>260</b>	<b>640</b>	<b>900</b>

CM-401&408 common with all branches

CM-402,406, common with DIT branch

**DIPLOMA IN COMPUTER ENGINEERING  
SCHEME OF INSTRUCTIONS AND EXAMINATION**

**CURRICULUM-2020**

**(V Semester)**

Sub Code	Name of the Subject	Instruction Periods/Week		Total Periods Per Semester	Scheme Of Examinations			
		Theory	Practicals		Duration (hrs)	Sessional Marks	End Exam Marks	Total Marks
<b>THEORY SUBJECTS</b>								
CM-501	Industrial Management and Entrepreneurship	5	-	75	3	20	80	100
CM-502	Java Programming	5	-	75	3	20	80	100
CM-503	Software Engineering	5	-	75	3	20	80	100
CM-504	Internet Of Things	5	-	75	3	20	80	100
CM-505	Python programming	5	-	75	3	20	80	100
<b>PRACTICAL SUBJECTS</b>								
CM-506	Java Programming Lab	-	4	60	3	40	60	100
CM-507	Python Programming Lab	-	4	60	3	40	60	100
CM-508	Life Skills	-	3	45	3	40	60	100
CM-509	Project work	-	6	90	3	40	60	100
	<b>Total</b>	<b>25</b>	<b>17</b>	<b>630</b>	<b>-</b>	<b>260</b>	<b>640</b>	<b>900</b>

Note:CM-501,502,503,506 common with DIT branch

CM-505 common with IT 404

CM-507 common with IT 407

CM-508 common with all branches

**DIPLOMA IN COMPUTER ENGINEERING  
SCHEME OF INSTRUCTIONS AND EXAMINATION**

**CURRICULUM-2020**

**(VI Semester)**

**CM-601 Industrial Training**

Sl. No.	Subject	Duration	Scheme of evaluation		
			Item	Nature	Max. Marks
1	Industrial Training	6 months	1.First Assessment at Industry (After 12 Weeks)	Assessment of learning outcomes by both the faculty and training mentor of the industry	120
			2.Second Assessment at the Industry (After 22 weeks))	Assessment of learning outcomes by both the faculty and training mentor of the industry	120
			Final Summative assessment at institution level	Training Report	20
				Demonstration of any one of the skills listed in learning outcomes	30
				Viva Voce	10
<b>TOTAL MARKS</b>					<b>300</b>

- The candidate shall put a minimum of 90% attendance during Industrial Training.
- If the student fails to secure 90% attendance during industrial training, the student shall reappear for 6 months industrial training.

- Formative assessment at industry level shall be carried out by the Mentor from of the industry, where the student is undergoing training and the faculty in charge (Guide) from the concerned section in the institution.
- The Industrial training shall carry 300 marks and pass marks is 50% in assessments at industry (first and second assessment) and final summative assessment at institution level put together i.e. 150 marks out of 300 marks.
- If the student fails to secure 50% marks in final summative assessment at institution level, the student should reappear for final summative assessment in the subsequent board examination.
- Final Summative assessment at institution level is done by a committee including Head of the section, External examiner and Faculty members who assessed the students during Industrial Training as members.

# **FIRST YEAR**

**DIPLOMA IN COMPUTER ENGINEERING  
SCHEME OF INSTRUCTIONS AND EXAMINATION**

**CURRICULUM-2020**

**(FIRST YEAR)**

Sub Code	Name of the Subject	Instruction Periods/Week		Total Periods Per Year	Scheme Of Examinations			
		Theory	Practicals		Duration (hrs)	Sessional Marks	End Exam Marks	Total Marks
<b>THEORY SUBJECTS</b>								
CM-101	English-I	3	-	90	3	20	80	100
CM-102	Engineering Mathematics - I	5	-	150	3	20	80	100
CM-103	Engineering Physics	4	-	120	3	20	80	100
CM-104	Engineering Chemistry and Environmental studies	4	-	120	3	20	80	100
CM-105	Basics of Computer Engineering	3	-	90	3	20	80	100
CM-106	Programming in C	5	-	150	3	20	80	100
<b>PRACTICAL SUBJECTS</b>								
CM-107	Engineering Drawing	-	6	180	3	40	60	100
CM-108	Programming in C Lab	-	6	180	3	40	60	100
CM-109	Physics Lab	-	3	90	1.5	20	30	50
	Chemistry Lab	-	3	90	1.5	20	30	50
CM-110	Computer Fundamentals Lab	-	3	90	3	40	60	100
	<b>Total</b>	<b>24</b>	<b>18</b>		-			<b>1000</b>

CM-101,102,103,104,107,109,110 common with all branches

CM-106,108 common with DIT branch

Course Code	Course Title	No. of Periods/Week	Total No. of Periods	Marks for FA	Marks for SA
CM- 101	English	3	90	20	80

S. No.	Unit Title	No of Periods	COs Mapped
1	English for Employability	8	CO1, CO2, CO3, CO4
2	Living in Harmony	8	CO1, CO2, CO3, CO4
3	Connect with Care	8	CO1, CO2, CO3, CO4
4	Humour for Happiness	8	CO1, CO2, CO3, CO4
5	Never Ever Give Up!	8	CO1, CO2, CO3, CO4
6	Preserve or Perish	9	CO1, CO2, CO3, CO4
7	The Rainbow of Diversity	8	CO1, CO2, CO3, CO4
8	New Challenges- Newer Ideas	8	CO1, CO2, CO3, CO4
9	The End Point First!	8	CO1, CO2, CO3, CO4
10	The Equal Halves	8	CO1, CO2, CO3, CO4
11	Dealing with Disaster	9	CO1, CO2, CO3, CO4
<b>Total Periods</b>		<b>90</b>	

<b>Course Objectives</b>	To improve the skills of English Language use by enriching vocabulary and learning accurate structures for effective communication.
	To comprehend themes for value based living in professional and personal settings.



<b>CO No.</b>	<b>Course Outcomes</b>
CO1	Applies perceptions of themes related to societal responsibility of adolescents towards their surroundings.
CO2	Demonstrates knowledge of form and function of 'grammar items' and use them in both academic and everyday situations.
CO3	Demonstrates effective English communication skills with competence in listening, speaking, reading and writing in academic, professional and everyday contexts.
CO4	Displays positivity and values of harmonious living in personal and professional spheres as reflected through communication.

#### CO-PO Matrix

<b>Course Code</b>	<b>Course Title: English</b>			<b>No. of Periods: 90</b>	
<b>CM-101</b>	<b>Number of Course Outcomes: 4</b>				
<b>POs</b>	<b>Mapped with CO No.</b>	<b>CO Periods Addressing PO in Column 1</b>		<b>Level of Mapping (1,2,3)</b>	<b>Remarks</b>
		<b>Number</b>	<b>Percentage</b>		
PO1		Not directly Applicable for English course, however activities that use content from science and technology relevant to the Programme taken up by the student shall be exploited for communication in the Course.			
PO2					
PO3					
PO4					
PO5	CO1, CO2, CO3, CO4	20	22		>50%: Level 3
PO6	CO1, CO2, CO3, CO4	52	58		21-50%: Level 2
PO7	CO1, CO2, CO3, CO4	18	20		Up to 20%: Level 1

Level 3 – Strongly Mapped  
 Level 2- Moderately Mapped  
 Level 1- Slightly Mapped

	PO 1	PO 2	PO 3	PO 4	PO 5	PO 6	PO 7
CO 1					✓	✓	✓
CO 2					✓	✓	✓
CO3					✓	✓	✓
CO 4					✓	✓	✓

**NOTE:** CO-PO groups shall be fulfilled through activities that use content from science and technology relevant to the Programme taken up by the student shall be exploited for communication in the Course.

**PO5:** Appropriate quiz programme may be conducted at intervals and duration as decided by concerned teacher.

**PO6:** Seminars on applications of mathematics in various engineering disciplines are to be planned and conducted.

**PO7:** Such activities are to be planned that students visit library to refer standard books on Mathematics and latest updates in reputed national and international journals, attending seminars, learning mathematical software tools.

**Blue Print of Question Paper:**

S. No.	Name of the Unit	Periods Allocated	Weightage Allocated	Marks Wise Distribution of Weightage				Question Wise Distribution of Weightage				CO's Mapped				
				R	U	Ap	An	R	U	Ap	An					
1	English for Employability	8	17	3	8*			1	1*	1*		CO1, CO2, CO3, CO4				
2	Living in Harmony	8		3				1					CO1, CO2, CO3, CO4			
3	Connect with Care	8				3							CO1, CO2, CO3, CO4			
4	Humour for Happiness	8	14		3			1	1*			CO1, CO2, CO3, CO4				
5	Never Ever Give Up!	8			3	8*		1			CO1, CO2, CO3, CO4					
6	Preserve or Perish	9	14		8*	3		1*	1			CO1, CO2, CO3, CO4				
7	The Rainbow of Diversity	8				3			1			CO1, CO2, CO3, CO4				
8	New Challenges - Newer Ideas	8	35		8*	8*+	10*	1*	4	1*		CO1, CO2, CO3, CO4				
9	The End Point First!	8				3+3										CO1, CO2, CO3, CO4
10	The Equal Halves	8				+3										CO1, CO2, CO3, CO4
11	Dealing with Disasters	9														CO1, CO2, CO3, CO4
<b>TOTAL</b>		<b>90</b>	<b>80</b>	<b>6</b>	<b>30</b>	<b>34</b>	<b>10</b>	<b>2</b>	<b>5</b>	<b>8</b>	<b>1</b>					

PART-A: 10 Questions 3 marks each =30 Marks      All Questions are compulsory      : 60 minutes  
 PART-B: 5 Questions 8 marks each =40 Marks      Internal choice      : 90 minutes  
 Part-C: 1 Question 10 marks =10 Marks      No choice, one compulsory question      : 30 minutes  
 (Higher Order Question)

**NOTE: \* indicates questions can be given from any of the corresponding lessons in the blue print.**  
**Question Paper Pattern for Unit Tests**

Part A: 16 marks: 4 questions with 1 mark each (FIB, True/false, one word/phrase, etc.)  
 4 questions with 3 marks each (short answer/ descriptive/ applicative questions)  
 Part B: 24 marks: 3 questions 8 marks each with internal choice

## **Learning Outcomes**

### **1. English for Employability**

- 1.1. Explain the need for improving communication in English for employability
- 1.2. Use adjectives and articles effectively while speaking and in writing
- 1.3. Write simple sentences

### **2. Living in Harmony**

- 2.1. Develop positive self-esteem for harmonious relationships
- 2.2. Use affixation to form new words
- 2.3. Use prepositions and use a few phrasal verbs contextually

### **3. Connect with Care**

- 3.1. Use social media with discretion
- 3.2. Speak about abilities and possibilities
- 3.3. Make requests and express obligations
- 3.4. Use modal verbs and main verbs in appropriate form
- 3.5. Write short dialogues for everyday situations

### **4. Humour for Happiness**

- 4.1. Explain the importance of humour for a healthy living
- 4.2. Improve vocabulary related to the theme
- 4.3. Display reading and speaking skills
- 4.4. Frame sentences with proper Subject – Verb agreement
- 4.5. Explain the features of a good paragraph and learn how to gather ideas as a preliminary step for writing a good paragraph.

### **5. Never Ever Give Up!**

- 5.1. Practice to deal with failures in life
- 5.2. Use the present tense form for various every day communicative functions such as speaking and writing about routines, professions, scientific descriptions and sports commentary
- 5.3. Write paragraphs with coherence and other necessary skills

### **6. Preserve or Perish**

- 6.1. Describe the ecological challenges that we face today and act to save the environment.
- 6.2. Narrate / Report past events
- 6.3. Develop vocabulary related to environment
- 6.4. Write e-mails

## **7. The Rainbow of Diversity**

- 7.1. Illustrate and value other cultures for a happy living in multi-cultural workspace
- 7.2. use different types of sentences
- 7.3. Ask for or give directions, information, instructions
- 7.4. Use language to express emotions in various situations
- 7.5. Write letters in various real life situations

## **8. New Challenges – Newer Ideas**

- 8.1. Explain the functional difference between Active Voice and Passive Voice
- 8.2. Use Passive Voice to speak and write in various contexts
- 8.3. List the major parts and salient features of an essay
- 8.4. Explain latest innovations and get motivated

## **9. The End Point First!**

- 9.1. Illustrate the importance of setting a goal in life
- 9.2. Report about what others have said both in speaking and writing
- 9.3. Write an essay following the structure in a cohesive and comprehensive manner
- 9.4. Apply the words related to Goal Setting in conversations and in life

## **10. The Equal Halves**

- 10.1. Value the other genders and develop a gender-balanced view towards life
- 10.2. Identify the use of different conjunctions in synthesising sentences
- 10.3. Write various types of sentences to compare and contrast the ideas
- 10.4. Apply the knowledge of sentence synthesis in revising and rewriting short essays
- 10.5. Develop discourses in speech and writing

## **11. Dealing with Disasters**

- 11.1. Speak and write about different kinds of disasters and the concept of disaster management
- 11.2. Generate vocabulary relevant to disaster management and use it in sentences
- 11.3. Analyze an error in a sentence and correct it
- 11.4. write different kinds of reports

**Textbook:** INTERACT (A Textbook for I Year English) - Published by SBTET, AP

### **Reference Books:**

- Martin Hewings : Advanced Grammar in Use, Cambridge University Press  
Murphy, Raymond : English Grammar in Use, Cambridge University Press  
Sidney Greenbaum : Oxford English Grammar, Oxford University Press  
Wren and Martin (Revised  
by N.D.V. Prasad Rao) : English Grammar and Composition, Blackie ELT Books, S.  
Chand and Co.  
Sarah Freeman : Strengthen Your Writing, Macmillan

**STATE BOARD OF TECHNICAL EDUCATION- A.P**  
**Model Question Paper**  
**C20-COMMON-101- ENGLISH**

**Time: 3hrs**

**Max.Marks:80**

**PART-A**

**10X3=30 Marks**

**Instructions: Answer all the questions. Each question carries Three marks.**

1. a) Fill in the blanks with suitable articles:

I have seen \_\_\_\_\_ European at \_\_\_\_\_ local market.

b) Fill in with proper form of adjective given in the bracket:

China is the \_\_\_\_\_ country in the world. ( populous, more populous, most populous )

c) i) Choose the synonym from the following for the word : 'filthy'

dirty / clean / hygienic / tidy

ii) Choose the antonym from the following for the word: 'exterior'

external / internal / open / interior

**\*( Question1 : Remembering- Mapping with CO2 & CO3 )**

2. a) i) Give prefix for the word: 'popular'

ii) Write suffix for the word : 'king'

b) He was married \_\_\_\_\_ her \_\_\_\_\_ January 2015. ( Fill in with appropriate preposition)

c) Match the words in column A with their corresponding meanings in column B:

**Column-A**

i) Dynamic

ii) Gloomy

**Column-B**

a) tasty

b) active

c) sad

d) proud

**\*( Question 2 : Remembering- Mapping with CO2 & CO3 )**

3. a) The old man *hunted* for his spectacles. ( Give the contextual meaning of the word in italics)

b) The committee / have submitted / its report / to the President. ( identify the part which contains an error )

c) recently has a scooter purchased Shanthy. ( Rearrange the jumbled words to make a meaningful sentence.)

**\*( Question 3 : Understanding- Mapping with CO2 & CO3 )**

4. a) Use the following primary auxiliary verb in sentence of your own:

' does'

b) Fill in the blank with proper modal auxiliary verb based on the clue in the bracket:

Harish \_\_\_\_\_ speak four languages. ( ability)

c) Rakesh wants two hundred rupees from his father. ( Write the sentence how he requests his father)

**\*( Question 4 : Applying - Mapping with CO2 & CO3 )**

5. Fill in the blanks with suitable form of the verb given in brackets:

- a) He \_\_\_\_\_ (go) for a walk daily.
- b) The bus \_\_\_\_\_ ( arrive) just now.
- c) We \_\_\_\_\_ (live) in Chennai since 2005.

**\*( Question 5 : Applicative- Mapping with CO2 & CO3 )**

6. Change the voice of the following sentences:

- a) English is spoken all over the world.
- b) They watched a movie yesterday.
- c) The Chief Minister will inaugurate the exhibition.

**\*( Question 6 : Applicative- Mapping with CO2 & CO3 )**

- 7. a) It is a beautiful rainbow. ( Change into an exclamatory sentence)
- b) C.V. Raman won the Nobel Prize in 1930. ( Frame a question using 'When')
- c) He can swim across the river. ( change into 'Yes / No' question )

**\*( Question 7 : Applicative- Mapping with CO2 & CO3 )**

8. Change the speech of the following:

- a) He said, "I will go to Delhi tomorrow."
- b) Ravi said to Ashok, " Where are you going?"
- c) She told him to mind his own business.

**\*( Question 8 : Applicative- Mapping with CO2 & CO3 )**

9. Rewrite as directed:

- a) In spite of being busy he attended the meeting. ( Rewrite the sentence using 'though' )
- b) She is poor. She is honest. ( combine the two sentences using 'but')
- c) On seeing the tiger, he climbed a tree. ( split into two simple sentences)

**\*( Question 9 : Applicative- Mapping with CO2 & CO3 )**

10. Rewrite the following sentences after making necessary corrections:

- a) We have gone to picnic yesterday.
- b) Suresh watched T.V when I went to his house.
- c) They left Gujarat before the earthquake occurred.

**\*( Question 10 : Applicative- Mapping with CO2 & CO3 )**

**PART-B**

**5X8=40**

**Instructions: Answer the following questions. Each question carries EIGHT marks.**

11. Write a paragraph in about 100 words on what you do daily.

OR

Write a paragraph in about 100 words on the uses and misuses of social media.

**\*( Question 11 : Understanding - Mapping with CO1, CO3 & CO4 )**

12. Construct a dialogue of at least five turns between an American and you about places worth visiting in your city.

OR

Compose a dialogue of at least five turns between two friends, one favouring homemade food and the other, fast food.

**\*( Question 12 : Applying - Mapping with CO1, CO3 & CO4 )**

13. Write a letter to your parents about your preparation for year-end examinations.

OR

Write a letter to the editor of a newspaper about the inconvenience caused due to loud speakers in your area.

**\*( Question 13 : Understanding - Mapping with CO1, CO3 & CO4 )**

14. Write an essay in about 120 words on measures to prevent water pollution.

OR

Write an essay in about 120 words on importance of gender equality.

**\*( Question 14 : Applying - Mapping with CO1, CO3 & CO4 )**

15. Read the following passage and answer the questions that follow:

A farmer in ancient China had a neighbour who was a hunter, and who owned ferocious and poorly trained hunting dogs. They jumped over the fence frequently and chased the farmer's lambs. The farmer asked his neighbour to keep his dogs in check, but this fell on deaf ears. One day the dogs again jumped the fence, attacked and severely injured several of the lambs.

The farmer had had enough, and went to town to consult a judge who listened carefully to the story and said: "I could punish the hunter and instruct him to keep his dogs chained or lock them up. But you would lose a friend and gain an enemy. Which would you rather have, friend or foe for a neighbour?" The farmer replied that he preferred a friend. "Alright, I will offer you a solution that keeps your lambs safe, and which will keep your a neighbour a friend." Having heard the judge's solution, the farmer agreed.



Once at home, the farmer immediately put the judge's suggestions to the test. He took three of his best lambs and presented them to his neighbour's three small sons, who were beside themselves with joy and began to play with them. To protect his son's newly acquired playthings, the hunter built a strong kennel for his dogs. Since then, the dogs never again bothered the farmer's lambs. Out of gratitude for the farmer's generosity toward his sons, the hunter often shared the game he had hunted with the farmer. The farmer reciprocated by sending the hunter the cheese he had made. Within a short time the neighbours became good friends.

- a) What kind of dogs does the neighbor have?
- b) When did the farmer consult the judge?
- c) What would be the consequence if the judge punished the neighbor?
- d) What was the solution suggested by the judge?
- e) What did the neighbour's sons do with the gifts they received?
- f) How did the dogs stop bothering the farmer's lambs?
- g) What items are exchanged happily between the two neighbours?
- h) Pick the word from the passage that would mean: 'a closed shelter for dogs'.

**OR**

Read the following short poem and answer the questions that follow:

Crisp in the winter's morning,  
Softly all through the night,  
What is this without warning,  
Falling and white?

I have never seen snow,  
But I can imagine it quite –  
Not how it tastes, but I know,  
It falls and is white.

One morning I'll open the door,  
To bring in the morning's milk,  
And all around there'll be snow –  
Fallen and still.

How I'll roll in the stuff!  
How I'll tumble and spin!  
Until the neighbours cry,  
Enough! And send me back in.

Q.1. What is the poem about?

2. How does snow fall?

3. Did you ever touch snow? How did you feel?

4. a) Pick the word from the poem that means 'slip and fall'

b) Write the antonym for the word 'soft'

**\*( Question 15 : Understanding - Mapping with CO1, CO3 & CO4 )**

**SECTION – C**

**1X10=10 Marks**

16. Write a report on the blood donation camp organized by International Red Cross Society in your college. Use the following clues: date, time, place, arrangements, donors, equipment, doctors, response, sponsors, snacks, volunteers, help others, save lives...etc.

**\*( Question 16 : Applying - Mapping with CO1, CO3 & CO4 )**

**STATE BOARD OF TECHNICAL EDUCATION –A.P**  
**C20-COMMON-101-ENGLISH**  
**UNIT TEST-1**

**Time: 90 minutes**

**Max. Marks: 40**

**PART-A**

**4X4= 16 marks**

**Instructions: Answer all the questions. Each question carries FOUR Marks.**

1. Rewrite / Fill in the blank as directed. Each question carries ½ Mark. **(CO1,CO2)**
  - a) Write the antonym of 'cruel' **CO2**
  - b) Write the synonym of 'love' **CO2**
  - c) Give prefix to 'adventure'. **CO2**
  - d) Give suffix to 'liberate' **CO2**
  - e) It is \_\_\_\_\_ universal truth. (Fill in with suitable article) **CO1**
  - f) The boy is fond \_\_\_\_ ice-cream. ( Fill in the blank with proper preposition) **CO1**
  - g) He \_\_\_\_not like sweets. (Fill in the blank with correct primary auxiliary verb.) **CO1**
  - h) We \_\_\_\_\_ respect our national flag. ( Fill in with a proper modal verb) **CO1**
2. Rewrite the sentences as directed. Each question carries One mark. 4X1=4 Marks **CO1**
  - a) No other metal is so useful as iron. ( Change into superlative degree)
  - b) Very few students are so clever as Ramesh. ( Change into comparative degree)
  - c) Guess the contextual meaning of the italicized word in the following sentence.  
"The CBI officer has *interrogated* the bank employees in connection with the scam."
  - d) only sings plays Prasanth not also well but cricket. ( Rearrange the jumbled words)
3. Fill in the blanks with proper form of the verb given in brackets. 4X1 = 4 marks **CO1**

The IPSGM \_\_\_\_\_(hold) in our college last month. Nearly all the colleges in our zone \_\_\_\_\_(participate) in the event. The prizes \_\_\_\_\_ (distribute) by the district collector.  
Next year, Government Polytechnic, Vijayawada \_\_\_\_\_ (conduct) the games meet.
4. Rewrite the following sentences after making necessary corrections: 4X 1= 4 Marks **CO1**
  - a) The police has arrested the culprit.
  - b) Three hundred miles are a long distance.
  - c) The Principal along with the Heads of Sections have visited the laboratories.
  - d) Either he or I is to blame.

**PART-B**

**3X8=24 Marks**

**Instructions: Answer all the questions and each question carries EIGHT marks.**

5. Write a dialogue of at least five turns between a shopkeeper and customer about buying a mobile phone. **CO3**
6. Make an analysis and write a paragraph in around 100 words about your strengths and weaknesses in learning and using English and also the measures to improve it. **CO3**

7. Write a paragraph in about 100 words on how to overcome low esteem and negativity. **CO3**

**STATE BOARD OF TECHNICAL EDUCATION –A.P**  
**C20-COMMON-101-ENGLISH**  
**UNIT TEST-II**

**Time: 90 minutes**

**Max. Marks: 40**

---

**PART-A**

**4X4= 16 Marks**

**Instructions: Answer all the questions. Each question carries FOUR marks.**

1. Match the words in column A with their corresponding meanings in column B **CO2**

**Column A**

- a) Deserve
- b) hidden
- c) Preserve
- d) Incessant

**Column B**

- i) continuous
- ii) protect
- iii) worthy
- iv) praise
- v) unseen
- vi) affection

2. Rewrite as directed: **CO1**

- a) You ask your Mom to give you another chocolate. ( Change into a request)
- b) The baby fell down and got injured. ( Change into an exclamatory sentence)
- c) The match was very interesting. ( Frame a question using 'how')
- d) Hemanth submitted his project report last week. (Frame Yes-No question)

3. Fill in the blanks with appropriate forms of verbs given in brackets: **CO1**

- a) The Sun \_\_\_\_\_ (set) in the west.
- b) Balu \_\_\_\_\_ (sing) for over fifty years in the films.
- c) We \_\_\_\_\_ (see) a camel on the road yesterday.
- d) They \_\_\_\_\_ (enter) the stadium before the gates were closed.

4. Change the voice of the following: **CO1**

- a) Marconi invented the radio.
- b) Sravanthi has been offered a job.
- c) Pragathi can type the letter.
- d) The Chief Guest will be received by the Final year students.

**PART-B**

**3X8=24 Marks**

**Answer all the questions. Each question carries EIGHT marks.**

**CO3**

- 5. Write a letter to your younger brother motivating him to deal with failures and hurdles in life.
- 6. Write an essay in around 120 words on the role of robots in the modern world.
- 7. Read the following passage and answer the questions that follow:

The greatest enemy of mankind, as people have discovered, is not science, but war. Science merely reflects the social forces by which it is surrounded. It was found that when there is peace, science is constructive when there is war, science is perverted to destructive end. The weapons which science gives us do not necessarily create war. These make war increasingly more terrible. Until now, it has brought us on the doorstep of doom. Our main problem, therefore, is not to curb science, but to substitute law for force, and international government for anarchy in the relations of one nation with another. That is a job in which everybody must participate, including the scientists. Now we are face to face with these urgent questions: Can education and tolerance, understanding and creative intelligence run fast enough to keep us side by side without our mounting capacity to destroy? That is the question which we shall have to answer, one way or the other, in this generation. Science must help us in the answer, but the main decision lies within ourselves. The hour is late and our work has scarcely begun.

- a. What is the chief enemy of man?
- b. What does science reflect?
- c. When is science perverted?
- d. What makes war more terrible?
- e. Why do we need international government?
- f. What are the four aspects that may stop destruction?
- g. Have we really started our work to fight the problem discussed?
- h. Pick the word from the passage that would mean: 'replace with other one'

**STATE BOARD OF TECHNICAL EDUCATION –A.P**  
**C20-COMMON-101-ENGLISH**  
**UNIT TEST-III**

**Time: 90 minutes**

**Max. Marks: 40**

**PART-A**

**4X4 = 16 Marks**

**Instructions: Answer all the questions. Each question carries Four marks.**

1. Give the meaning of the word in italics: **CO1 CO2**
  - a) When the girls laughed in the class, the teacher was *furious*.
  - b) He was *rusticated* from the school for his misbehavior.
  - c) Vikramaditya was a *benevolent* Indian King.
  - d) We should not show any *discrimination* between boys and girls.
2. Change the speech of the following: **CO2**
  - a) He said, "I am sorry."
  - b) The teacher said to the boys, "Why are you late?"
  - c) Sushma said that she had submitted her report recently.
  - d) Pratap requested Priya to give him her pen.
3. Rewrite as directed: **CO2**
  - a) Though he was weak, he took the test. ( change into a simple sentence)
  - b) You must work hard to achieve success. ( change into a complex sentence)
  - c) If you run fast, you will catch the bus. ( change into a compound sentence)
  - d) The fog disappeared when the Sun rose. ( Split into two simple sentences)
4. Locate eight errors from the following passage and correct them. **CO3, CO1**

Once upon a time there live a king who was very kind to his people. In his council of ministers, there is a wise man. He had a son called Sumanth who was a educated and highly learned. Once the wise minister fall sick. All the physicits in the country could not heal him. Then Sumanth will go in search of medicine in Himalayas. He bring the special medicinal roots to cure his father's sickness. Sumanth looked before his father carefully and healed him. The king rewarded Sumanth with rich gifts.

**PART- B**

**3X8 = 24 Marks**

**Instructions: Answer all the questions and each one carries eight marks.** **CO3**

5. Read the following paragraph and make notes first and then its summary.  
Astronauts are people who travel on space ships. They need to have a very clean home. They travel far from Earth. We need clean kitchens everywhere on earth and in space. Astronauts have to solve two problems: how to get food and how to keep their spaceship clean. Here is how

they solved the food problem. At first, the astronauts took tubes of food with them into space. They would squeeze a tube and eat semi-liquid food. It did not taste great, but since they did not need to take dishes or silverware with them, they had no dishes to wash. Today's spaceships have a bigger menu. Astronauts can eat from bowls. In fact, they take cereal and other standard foods with them. The foods are packaged in special containers to keep them fresh. They use knives, forks, and spoons. One unusual item on their table is a pair of scissors. They use the scissors to open the food packages. They can eat right from the package. They have a kitchen on the spaceship. Its oven can heat food to 170 degrees. The kitchen has water and sets of meals that come on trays. The astronauts choose their menu before they go into space. They take a lot of food with them. The astronauts keep bread and fresh fruits and vegetables in a special food locker. How do they keep the kitchen clean? They do not have to worry about mice or other rodents. They make sure that there are no rodents before the ship leaves. But sometimes mice travel on the ship. Those mice are part of experiments. They live in cages. How do astronauts keep their trays clean? That is another health problem the astronauts solve. They need to stay healthy in space. To carry a lot of water to wash trays would be a lot of extra weight. They pack wet wipes in plastic bags. They use them to clean trays. So, their kitchen is clean and they stay healthy.

6. Write an essay in about 120 words on the importance of goal setting and your short and long term goals.
7. Write a report about the bush fire that raged in Australia recently by using the following clues: forest, natural disaster, wild fire, dried leaves, no rain fall, wild animals, burnt alive, loss of flora and fauna, fire fighters, uncontrollable, moderate rains, environmental pollution, measures to protect...etc.

Course Code	Course Title	No. of Periods/week	Total No. of periods	Marks for FA	Marks for SA
CM-102	Engineering Mathematics-I	5	150	20	80

S.No.	Unit Title	No. of periods	COs mapped
1	Algebra	31	CO1
2	Trigonometry	44	CO2
3	Co-ordinate Geometry	23	CO3
4	Differential Calculus	33	CO4
5	Applications of Differentiation	19	CO4, CO5
Total Periods		150	

<b>Course Objectives</b>	<ul style="list-style-type: none"> <li>(i) To apply the principles of Algebra, Trigonometry and Co-Ordinate Geometry to real-time problems in engineering.</li> <li>(ii) To comprehend and apply the concept of Differential Calculus in engineering applications.</li> </ul>
--------------------------	---

<b>Course Outcomes</b>	CO1	Identify various functions, resolve partial fractions and solve problems on matrices.
	CO2	Solve problems using the concept of trigonometric functions, their inverses and complex numbers.
	CO3	Find the equations and properties of straight lines, circles and conic sections in coordinate system.
	CO4	Evaluate the limits and derivatives of various functions.

	CO5	Evaluate solutions for engineering problems using differentiation.
--	-----	--

## ENGINEERING MATHEMATICS – I

### COMMON TO ALL BRANCHES

#### Learning Outcomes

#### UNIT - I

#### **C.O. 1 Identify various functions, resolve partial fractions and solve problems on matrices.**

**L.O. 1.1** Define Set, ordered pairs and Cartesian product - examples.

1.2 Explain Relations and functions – examples

1.3 Find Domain & Range of functions – simple examples.

1.4 Classify types of functions (into, many-to-one, one-one, onto and bijective).

1.5 Define inverse functions - examples.

1.6 Define rational, proper and improper fractions of polynomials.

1.7 Explain the procedure of resolving rational fractions of the type mentioned below into partial fractions

$$\begin{array}{ll}
 i) \quad \frac{f(x)}{(ax+b)(cx+d)} & ii) \quad \frac{f(x)}{(ax+b)^2(cx+d)} \\
 \\
 iii) \quad \frac{f(x)}{(x^2+a^2)(bx+c)} & iv) \quad \frac{f(x)}{(x^2+a^2)(x^2+b^2)}
 \end{array}$$

1.8 Define a matrix and order of a matrix

1.9 State various types of matrices with examples (emphasis on 3<sup>rd</sup> order square matrices).

1.10 Compute sum, scalar multiplication and product of matrices. Illustrate the properties of these operations such as associative, distributive,



commutative  
properties with examples and counter examples.

1.11 Define the transpose of a matrix and write its properties;

1.12 Define symmetric and skew-symmetric matrices with examples. Resolve square matrix into a sum of a symmetric and skew-symmetric matrices and provide examples.

1.13 Define determinant of a square matrix, minor, co-factor of an element of a  $3 \times 3$  square matrix with examples. Expand the determinant of a  $3 \times 3$  matrix using Laplace expansion formula. State and apply the properties of determinants to solve problems.

1.14 Distinguish singular and non-singular matrices. Define multiplicative inverse of a matrix and list properties of adjoint and inverse. Compute adjoint and multiplicative inverse of a square matrix.

1.15 Solve system of 3 linear equations in 3 unknowns using Cramer's rule and matrix inversion method

## UNIT - II

### **C.O.2 Solve problems using the concept of trigonometric functions, their inverses and complex numbers.**

**L.O.** 2.1 Define trigonometric ratios of any angle.

2.2 List the values of trigonometric ratios at specified values.

2.3 Draw graphs of trigonometric functions

2.4 Explain periodicity of trigonometric functions.

2.5 Define compound angles and state the formulae of  $\sin(A\pm B)$ ,  $\cos(A\pm B)$ ,  
 $\tan(A\pm B)$  and  $\cot(A\pm B)$

2.6 Give simple examples on compound angles to derive the values of  $\sin 15^\circ$ ,  
 $\cos 15^\circ$ ,  $\sin 75^\circ$ ,  $\cos 75^\circ$ ,  $\tan 15^\circ$ ,  $\tan 75^\circ$  etc.

2.7 Derive identities like  $\sin(A+B) \sin(A-B) = \sin^2 A - \sin^2 B$  etc.

2.8 Solve simple problems on compound angles.

2.9 Derive the formulae of multiple angles  $2A$ ,  $3A$  etc and sub multiple angles  
 $A/2$  in terms of angle  $A$  of trigonometric functions.

2.10 Derive useful allied formulas like  $\sin^2 A = (1 - \cos 2A)/2$  etc.

2.11 Solve simple problems using the above formulae

Syllabus for Unit test-I completed
------------------------------------

2.12 Derive the formulae on transforming sum or difference of two trigonometric ratios into a product and vice versa, examples on these formulae.

2.13 Solve problems by applying these formulae to sum or difference or product of three or more terms.

2.14 Explain the concept of the inverse of a trigonometric function by selecting an appropriate domain and range.

2.15 Define inverses of six trigonometric functions along with their domains and ranges.

2.16 Derive relations between inverse trigonometric functions so that given

$A = \sin^{-1} x$ , express angle A in terms of other inverse trigonometric functions with examples.

2.17 State various properties of inverse trigonometric functions and identities like

$$\sin^{-1} x + \cos^{-1} x = \frac{\pi}{2} \text{ etc.}$$

2.18 Apply formulae like  $\tan^{-1} x + \tan^{-1} y = \tan^{-1} \left( \frac{x+y}{1-xy} \right)$ , where  $x \geq 0, y \geq 0, xy < 1$  etc., to solve Simple problems

2.19 Explain what is meant by solutions of trigonometric equations and find the general solutions of  $\sin x = k$ ,  $\cos x = k$  and  $\tan x = k$  with appropriate examples.

- 2.20 Solve models of the type  $a \sin^2 x + b \sin x + c = 0$ ,  $a \cos x + b \sin x = c$  etc., and problems using simple transformations.
- 2.21 State sine rule, cosine rule, tangent rule and projection rule.
- 2.22 Explain the formulae for  $\sin A/2$ ,  $\cos A/2$ ,  $\tan A/2$  and  $\cot A/2$  in terms of semi-perimeter  $s$  and sides  $a, b, c$  and solve problems.
- 2.23 List various formulae for the area of a triangle.
- 2.24 Solve problems using the above formulae.
- 2.25 Define  $\sinh x$ ,  $\cosh x$  and  $\tanh x$  and list the hyperbolic identities.
- 2.26 Represent inverse hyperbolic functions in terms of logarithms.
- 2.27 Define complex number, its modulus, conjugate and list their properties.
- 2.28 Define the operations on complex numbers with examples.
- 2.29 Define amplitude of a complex number
- 2.30 Represent the complex number in various forms like modulus-amplitude (polar) form, Exponential (Euler) form with examples.
- 2.31 Write DeMoivre's theorem (without proof) and illustrate with simple examples.

## UNIT - III

### Coordinate Geometry

**C.O. 3 Find the equations and properties of straight lines, circles and conic sections in coordinate system.**

- L.O.** 3.1 Write the different forms of a straight line – general form, point-slope form, slope- intercept form, two-point form, intercept form and normal form or perpendicular form.
- 3.2 Solve simple problems on the above forms
- 3.3 Find distance of a point from a line, acute angle between two lines, intersection of two non parallel lines and distance between two parallel lines.
- 3.4 Define locus of a point and define a circle.
- 3.5 Write the general equation of a circle and find the centre and radius.
- 3.6 Find the equation of a circle given (i) centre and radius, (ii) two ends of a diameter (iii) Centre and a point on the circumference (iv) three non collinear points.
- 3.7. Define a conic section.
- 3.8 Explain the terms focus, directrix, eccentricity, axes and latus rectum of a conic with illustrations.
- 3.9 Find the equation of a conic when focus, directrix and eccentricity are given
- 3.10 Describe the properties of Parabola, Ellipse and Hyperbola in standard forms whose axes are along co-ordinate axes and solve simple examples on above.

Syllabus for Unit test-II completed

**C.O.4 Evaluate the limits and derivatives of various functions.**

L.O. 4.1 Explain the concept of limit and meaning of  $\lim_{x \rightarrow a} f(x) = l$  and state the properties of limits .

4.2 Evaluate the limits of the type  $\lim_{x \rightarrow l} \frac{f(x)}{g(x)}$  and  $\lim_{x \rightarrow \infty} \frac{f(x)}{g(x)}$

4.3 Mention the Standard limits  $\lim_{x \rightarrow a} \frac{x^n - a^n}{x - a}$ ,  $\lim_{x \rightarrow 0} \frac{\sin x}{x}$ ,  $\lim_{x \rightarrow 0} \frac{\tan x}{x}$ ,  $\lim_{x \rightarrow 0} \frac{a^x - 1}{x}$ ,  $\lim_{x \rightarrow 0} \frac{e^x - 1}{x}$ ,  $\lim_{x \rightarrow 0} (1+x)^{\frac{1}{x}}$ ,  $\lim_{x \rightarrow \infty} \left(1 + \frac{1}{x}\right)^x$  (without proof) and solve the problems using these standard limits.

4.4 Explain the concept of continuity of a function at a point and on an interval with some examples whether a given function is continuous or not.

4.5 State the concept of derivative of a function  $y = f(x)$  – definition, first principle as  $\lim_{h \rightarrow 0} \frac{f(x+h) - f(x)}{h}$  and also provide standard notations to denote the derivative of a function.

4.6 State the significance of derivative in scientific and engineering applications.

4.7 Find the derivatives of elementary functions like  $x^n$ ,  $a^x$ ,  $e^x$ ,  $\log x$ ,  $\sin x$ ,  $\cos x$ ,  $\tan x$ ,  $\sec x$ ,  $\csc x$  and  $\cot x$  using the first principles.

- 4.8 Find the derivatives of simple functions from the first principle.
- 4.9 State the rules of differentiation of sum, difference, scalar multiplication, product and quotient of functions with illustrative and simple examples.
- 4.10 Explain the method of differentiation of a function of a function (Chain rule) with illustrative examples.
- 4.11 Find the derivatives of Inverse Trigonometric functions and examples using the Trigonometric transformations.
- 4.12 Explain the method of differentiation of a function with respect to another function and also differentiation of parametric functions with examples.
- 4.13 Find the derivatives of hyperbolic functions.
- 4.14 Explain the procedures for finding the derivatives of implicit function with examples.
- 4.15 Explain the need of taking logarithms for differentiating some functions with examples like  $[f(x)]^{g(x)}$ .
- 4.16 Explain the concept of finding the higher order derivatives of second and third order with examples.
- 4.17 Explain the concept of functions of several variables, partial derivatives and difference between the ordinary and partial derivatives with simple examples.
- 4.18 Explain the definition of Homogenous function of degree  $n$

4.19 Explain Euler's theorem for homogeneous functions with applications to simple problems.

**C.O. 5 Evaluate solutions for engineering problems using differentiation.**

**L.O.** 5.1 State the geometrical meaning of the derivative as the slope of the tangent to the curve  $y=f(x)$  at any point on the curve.

5.2 Explain the concept of derivative to find the slope of tangent and to find the equation of tangent and normal to the curve  $y=f(x)$  at any point on it.

5.3 Find the lengths of tangent, normal, sub-tangent and sub normal at any point on the curve  $y=f(x)$ .

5.4 Explain the derivative as a rate of change in distance-time relations to find the velocity and acceleration of a moving particle with examples.

5.5 Explain the derivative as a rate measurer in the problems where the quantities like volumes, areas vary with respect to time- illustrative examples.

5.6 Define the concept of increasing and decreasing functions.

5.7 Explain the conditions to find points where the given function is increasing or decreasing with illustrative examples.

5.8 Explain the procedure to find the extreme values (maxima or minima) of a function of single variable- simple problems yielding maxima and minima.

5.9 Solve problems on maxima and minima in applications like finding areas, volumes etc.

5.10 Apply the concept of derivatives to find the errors and approximations in simple problems.

Syllabus for Unit test-III completed



### CO/PO – Mapping

CM-102	PO1	PO2	PO3	PO4	PO5	PO6	PO7	PSO1	PSO2	PSO3
CO1	3	2	1	2				3	2	3
CO2	3	3	3	2				3	3	1
CO3	3	2	2	1				3	2	2
CO4	3	3	2	2				3	2	1
CO5	3	3	3	3				3	3	3
<b>Avg</b>	<b>3</b>	<b>2.6</b>	<b>2.5</b>	<b>2</b>				<b>3</b>	<b>2.4</b>	<b>2</b>

**3** = Strongly mapped (High), **2** = Moderately mapped (Medium), **1** = Slightly mapped (Low)

**Note:**

**PO5:** Appropriate quiz programme may be conducted at intervals and duration as decided by concerned teacher.

**PO6:** Seminars on applications of mathematics in various engineering disciplines are to be planned and conducted.

**PO7:** Such activities are to be planned that students visit library to refer standard books on Mathematics and latest updates in reputed national and international journals, attending seminars, learning mathematical software tools.

**PSO1:** An ability to understand the concepts of basic mathematical concepts and to apply them in various areas like computer programming, civil constructions, fluid dynamics, electrical and electronic systems and all concerned engineering disciplines.

**PSO2:** An ability to solve the Engineering problems using latest software tool, along with analytical skills to arrive at faster and appropriate solutions.

**PSO3:** Wisdom of social and environmental awareness along with ethical responsibility to have a successful career as an engineer and to sustain passion and zeal for real world technological applications.

**C-20**

**Engineering Mathematics – I**

**PO- CO – Mapping strength**

PO no	Mapped with CO no	CO periods addressing PO in column I		Level (1,2 or 3)	Remarks
		No	%		
1	CO1, CO2, CO3,CO4,CO5	150	100%	3	>40% Level 3 Highly addressed  25% to 40% Level 2 Moderately addressed  5% to 25% Level 1 Low addressed
2	CO1, CO2, CO3,CO4,CO5	138	92%	3	
3	CO1, CO2, CO3,CO4,CO5	133	88.6%	3	
4	CO1, CO2, CO3,CO4,CO5	120	80%	3	
5					
6					
7					
PSO 1	CO1, CO2, CO3,CO4,CO5	150	100%	3	<5% Not addressed
PSO 2	CO1, CO2, CO3,CO4,CO5	135	90%	3	
PSO 3	CO1, CO2, CO3,CO4,CO5	125	83.3%	3	

## ENGINEERING MATHEMATICS – I

## COMMON TO ALL BRANCHES

COURSE CONTENT

## Unit-I

**Algebra****1. Relations and Functions:**

Define Set, Ordered pairs, Cartesian product, Relations, functions, domain & range of functions. Describe types of functions (in-to, many-to-one, one-one, onto and bijective) and inverse functions – examples.

**2. Partial Fractions:**

Define rational, proper and improper fractions of polynomials. Resolve rational fractions in to their partial fractions covering the types mentioned below.

$$i) \frac{f(x)}{(ax+b)(cx+d)} \quad ii) \frac{f(x)}{(ax+b)^2(cx+d)}$$

$$iii) \frac{f(x)}{(x^2+a^2)(bx+c)} \quad iv) \frac{f(x)}{(x^2+a^2)(x^2+b^2)}$$

**3. Matrices:**

Definition of a matrix, types of matrices-examples, algebra of matrices-equality of two matrices, sum, scalar multiplication and product of matrices. Transpose of a matrix-Symmetric, skew symmetric matrices-Minor, cofactor of an element-Determinant of a square matrix-Laplace's expansion, properties of determinants. Singular and non singular matrices-Adjoint and multiplicative inverse of a square matrix- examples-System of linear equations in 3 variables-Solutions by Cramers's rule and Matrix inversion method-examples.

## Unit-II

### Trigonometry

#### 4. Trigonometric ratios:

Definition of trigonometric ratios of any angle, values of trigonometric ratios at specified values, draw graphs of trigonometric functions, periodicity of trigonometric functions.

#### 5. Compound angles:

Formulas of  $\sin(A\pm B)$ ,  $\cos(A\pm B)$ ,  $\tan(A\pm B)$ ,  $\cot(A\pm B)$ , and related identities with problems.

#### 6. Multiple and sub multiple angles:

Formulae for trigonometric ratios of multiple angles  $2A, 3A$  and submultiple angle  $A/2$  with problems.

7. Transformations of products into sums or differences and vice versa simple problems

#### 8. Inverse trigonometric functions:

Definition, domains and ranges-basic properties- problems.

#### 9. Trigonometric equations:

Concept of a solution, principal value and general solution of trigonometric equations :

$\sin x = k$  ,  $\cos x = k$  ,  $\tan x = k$ , where  $k$  is a constant. Solutions of simple quadratic equations, equations involving usage of transformations- problems.

#### 10. Properties of triangles:

Relation between sides and angles of a triangle- sine rule, cosine rule, tangent rule and projection rule-area of a triangle- problems.

#### 11. Hyperbolic functions:

Definitions of hyperbolic functions, identities of hyperbolic functions, inverse hyperbolic functions and expression of inverse hyperbolic functions in terms of logarithms.

#### 12. Complex Numbers:

Definition of a complex number, Modulus and conjugate of a complex number, Arithmetic operations on complex numbers, Modulus- Amplitude (polar) form , Exponential form (Euler form) of a complex number- Problems. DeMoivre's theorem.

## UNIT-III

### Coordinate geometry

**13 Straight lines:** various forms of straight lines, angle between lines, perpendicular distance from a point, distance between parallel lines-examples.

**14. Circle:** locus of a point, Circle, definition-Circle equation given (i) centre and radius, (ii) two ends of a diameter (iii) centre and a point on the circumference (iv) three non collinear points - general equation of a circle – finding centre, radius.

15. Definition of a conic section, equation of a conic when focus directrix and eccentricity are given. properties of parabola, ellipse and hyperbola in standard forms.

## UNIT-IV

### Differential Calculus

**16. Concept of Limit-** Definition- Properties of Limits and Standard Limits -Simple Problems- Continuity of a function at a point- Simple Examples only.

**17. Concept of derivative-** Definition (first principle)- different notations-derivatives of elementary functions- problems. Derivatives of sum, product, quotient, scalar multiplication of functions - problems. Chain rule, derivatives of inverse trigonometric functions, derivative of a function with respect to another function, derivative of parametric functions, derivative of hyperbolic, implicit functions, logarithmic differentiation – problems in each case. Higher order derivatives - examples – functions of several variables - partial differentiation, Euler’s theorem-simple problems.

## UNIT-V

### Applications of Derivatives:

18. Geometrical meaning of the derivative, equations of Tangent and normal to a curve at any point. Lengths of tangent, normal, subtangent and subnormal to the curve at any point - problems.
19. Physical applications of the derivative – velocity, acceleration, derivative as a rate measure –Problems.
20. Applications of the derivative to find the extreme values – Increasing and decreasing functions, finding the maxima and minima of simple functions - problems leading to applications of maxima and minima.
21. Using the concept of derivative of a function of single variable, find the absolute error, relative and percentage errors and approximate values due to errors in measuring.

### Textbook:

Engineering Mathematics-I, a textbook for first year diploma courses, prepared & prescribed by SBTET, AP.

### Reference Books:

1. Shanti Narayan, A Textbook of matrices, S.Chand&Co.
2. Robert E. Moyer & Frank Ayers Jr., Schaum's Outline of Trigonometry, 4<sup>th</sup> Edition, Schaum's Series
3. M.Vygodsky, Mathematical Handbook, Mir Publishers, Moscow.
4. Frank Ayers & Elliott Mendelson, Schaum's Outline of Calculus, Schaum's Series

**BLUE PRINT**

S. No	Chapter/ Unit title	No of Periods		Weightage Allotted	Marks wise distribution of weightage				Question wise distribution of weightage				COs mapped
		Theor y	Practice		R	U	Ap	An	R	U	Ap	A n	
	<b>Unit - I : Algebra</b>												
1	Relations and Functions	4	2	3	0	3	0	0	0	1	0	0	CO 1
2	Partial Fractions	3	2	3	0	3	0	0	0	1	0	0	CO 1
3	Matrices and Determinants	10	10	11	3	0	8	0	1	0	1	0	CO 1
	<b>Unit - II : Trigonometry</b>												
4	Trigonometric Ratios	1	1	0	0	0	0	0	0	0	0	0	CO2
5	Compound Angles	3	2	3	3	0	0	0	1	0	0	0	CO2
6	Multiple and Submultiple angles	4	4	3	0	3	0	0	0	1	0	0	CO2
7	Transformations	3	3	8	0	8	0	0	0	1	0	0	CO2
8	Inverse Trigonometric Functions	3	2										
9	Trigonometric Equations	3	2	8	0	0	8	0	0	0	1	0	CO2
10	Properties of triangles	3	2										
11	Hyperbolic Functions	1	1	0	0	0	0	0	0	0	0	0	CO2
12	Complex Numbers	4	2	3	3	0	0	0	1	0	0	0	CO2
	<b>Unit III : Co-ordinate Geometry</b>												
13	Straight Lines	4	2	3	3	0	0	0	1	0	0	0	CO3
14	Circle	3	2	8	0	8	0	0	0	1	0	0	CO3

15	Conic Sections	8	4										
<b>Unit – IV : Differential Calculus</b>													
16	Limits and Continuity	4	2	3	0	3	0	0	0	1	0	0	CO4
17	Differentiation	17	10	14	3	11	0	0	1	2	0	0	CO4
<b>Unit - V : Applications of Differentiation</b>													
18	Geometrical Applications	3	2	10	0	0	0	10	0	0	0	1	CO5
19	Physical Applications	2	2										
20	Maxima and Minima	3	4										
21	Errors and Approximations	2	1										
<b>Total</b>		<b>89</b>	<b>61</b>	<b>80</b>	<b>15</b>	<b>39</b>	<b>16</b>	<b>10</b>	<b>5</b>	<b>8</b>	<b>2</b>	<b>1</b>	

**R: Remembering Type : 15 Marks**

**U: understanding Type : 39 Marks**

**Ap: Application Type : 16 Marks**

**An: Analysing Type : 10 Marks**

### Engineering Mathematics – I

#### Unit Test Syllabus

Unit Test	Syllabus
Unit Test-I	From L.O. 1.1 to L.O. 2.11
Unit Test-II	From L.O. 2.12 to L.O. 3.10
Unit Test-III	From L.O.4.1 to L.O. 5.10



State Board of Technical Education and Training, A. P

First Year

Subject name: **Engineering Mathematics-I**Sub Code: **CM-102**

Time : 90 minutes

Max.marks:40

Part-A

16Marks

**Instructions:** (1) Answer all questions.

(2) First question carries four marks and the remaining questions carry three marks each.

1. Answer the following.

a. If  $f(x) = x^2$  and domain =  $\{-1, 0, 1\}$ , then find range. (CO1)b. If  $A = \begin{bmatrix} 1 & 2 \\ 3 & 4 \end{bmatrix}$ , then find  $3A$ . (CO1)c. Write the value of  $\sin 120^\circ$  (CO2)d. Write the formula for  $\tan 2A$  in terms of  $\tan A$  (CO2)2. If  $f: R \rightarrow R$  is defined by  $f(x) = 3x - 5$ , then prove that  $f(x)$  is onto. (CO1)3. If  $A = \begin{bmatrix} 1 & 3 \\ 4 & -9 \end{bmatrix}$ ,  $B = \begin{bmatrix} 2 & 4 \\ -3 & 1 \end{bmatrix}$  then find  $2A + 3B$  (CO1)4. Prove that  $\sin^2 45^\circ - \sin^2 15^\circ = \frac{\sqrt{3}}{4}$  (CO2)5. Prove that  $\frac{\sin 2A}{1 - \cos 2A} = \cot A$  (CO2)

**Instructions:** (1) Answer all questions.

(2) Each question carries eight marks

(3) Answer should be comprehensive and the criterion for valuation

is the content but not the length of the answer.

6. A) Resolve  $\frac{2x}{(x-1)(x-3)}$  into partial fractions.(CO1)  
or

B) Resolve  $\frac{x+4}{x^2-3x+2}$  into partial fractions.(CO1)

7. A) Using cramer's rule to solve  
 $x-y+z=2, 2x+3y-4z=-4, 3x+y+z=8$  (CO1)

or

B) Prove that  $\begin{vmatrix} bc & b+c & 1 \\ ca & c+a & 1 \\ ab & a+b & 1 \end{vmatrix} = (a-b)(b-c)(c-a)$  (CO1)

8. A) Find the adjoint of Matrix  $\begin{bmatrix} 1 & 2 & -2 \\ -1 & 3 & 5 \\ 2 & 7 & -4 \end{bmatrix}$  (CO1)

or

B) If  $A = \begin{bmatrix} 2 & 3 & 4 \\ 5 & 7 & 9 \\ -2 & 1 & 3 \end{bmatrix}$ ;  $B = \begin{bmatrix} 3 & 1 & -5 \\ 2 & 1 & 4 \\ 0 & 3 & 1 \end{bmatrix}$ , find AB and BA and verify if  $AB = BA$ .  
(CO1)

-o0o-

State Board of Technical Education and Training, A. P

First Year

Subject name: **Engineering Mathematics-I**Sub Code: **CM - 102**

Time : 90 minutes

Max.marks:40

Part-A

16Marks

**Instructions:** (1) Answer all questions.

(2) First question carries four marks and the remaining questions carry three marks each

1. Answer the following.

a.  $\sin C + \sin D = 2 \cos\left(\frac{C+D}{2}\right) \sin\left(\frac{C-D}{2}\right)$ : State TRUE/FALSE (CO2)

b. If  $z = 2 + 3i$ , then find  $|z|$  (CO2)

c.  $\sinh x = \frac{e^x - e^{-x}}{2}$ : State TRUE/FALSE (CO2)

d. Write the eccentricity of rectangular hyperbola. (CO3)

2. Express  $(3 - 4i)(7 + 2i)$  in terms of  $a + ib$  (CO2)

3. Find the perpendicular distance from (1,1) to the line  $2x + 3y - 1 = 0$  (CO3)

4. Find the angle between lines  $2x - y + 3 = 0$  and  $x + y - 2 = 0$  (CO3)

5. Find the centre and radius of the circle  $x^2 + y^2 - 2x + 4y - 4 = 0$  (CO3)

**Instructions:** (1) Answer all questions.

(2) Each question carries eight marks

(3) Answer should be comprehensive and the criterion for valuation

is the content but not the length of the answer.

6. A) Prove that  $\frac{\sin 2\theta + \sin 4\theta + \sin 6\theta}{\cos 2\theta + \cos 4\theta + \cos 6\theta} = \tan 4\theta$ . (CO2)

or

B) Prove that  $\tan^{-1} \frac{1}{2} + \tan^{-1} \frac{1}{5} + \tan^{-1} \frac{1}{8} = \frac{\pi}{4}$  (CO2)

7. A) Solve  $2\sin^2 \theta - \sin \theta - 1 = 0$  (CO2)

or

B) In any  $\triangle ABC$ , if  $\angle B = 60^\circ$  then  $\frac{c}{a+b} + \frac{a}{b+c} = 1$  (CO2)

8. A) Find the equation of circle with (2,3) and (6,9) as the end points of diameter and also find centre and radius of circle. (CO3)

or

A) Find the equation of ellipse whose focus is (1, -1), directrix is  $x - y + 3 = 0$  and eccentricity is  $1/2$ . (CO3)

-o0o-

State Board of Technical Education and Training, A. P

First Year

Subject name: Engineering Mathematics-I

Sub Code: CM-102

Time : 90 minutes

Max.marks:40

Part-A

16Marks

**Instructions:** (1) Answer all questions.

(2) First question carries four marks and the remaining questions carry three marks each

1. Answer the following.

a. Find  $\lim_{x \rightarrow 1} \frac{x^2 + 1}{x + 5}$  (CO4)

b.  $\lim_{\theta \rightarrow 0} \frac{\sin 2\theta}{\theta} = 2$ : State TRUE/FALSE (CO4)

c.  $\frac{d}{dx}(3 \tan^{-1} x) = ?$  (CO4)

d. Formula for percentage error in  $x$  is \_\_\_\_\_ . (CO5)

2. Evaluate  $\lim_{x \rightarrow 2} \frac{x^5 - 32}{x^2 - 4}$  (CO4)

3. Find the derivative of  $3 \tan x - 4 \log x + 7^x$  w.r.t.  $x$  (CO4)4. Differentiate  $x^2 \sin x$  w.r.t.  $x$  (CO4)

5. Find the derivative of  $\frac{2x + 3}{3x + 4}$  (CO4)

- Instructions:** (1) Answer all questions.  
 (2) Each question carries eight marks  
 (3) Answer should be comprehensive and the criterion for valuation is the content but not the length of the answer.

6. A) Find the derivative of  $\sin^{-1}\left(\frac{2x}{1+x^2}\right)$  w.r.t.  $\tan^{-1}\left(\frac{2x}{1-x^2}\right)$ . (CO4)

or

B) Find  $\frac{dy}{dx}$  if  $y = x^{\cos x}$  (CO4)

7. A) Verify Euler's theorem when  $u(x, y) = \frac{x^4 + y^4}{x - y}$  (CO4)

or

B) Find the equation of tangent and normal to the curve  $3y = x^2 - 6x + 17$  at (4, 3)

(CO5)

8. A) Circular patch of oil spreads on water and the area is growing at the rate of  $8 \text{ sqcm/min}$ .

How fast is the radius increasing when radius is  $5 \text{ cm}$ . (CO5)

or

B) Find the maxima and minima values of  $f(x) = x^3 - 6x^2 + 9x + 15$ . (CO5)

-o0o-

END-EXAM MODEL PAPERS

STATE BOARD OF TECHNICAL EDUCATION, A.P

ENGINEERING MATHEMATICS CM- 102

TIME : 3 HOURS

MODEL PAPER- I

MAX.MARKS : 80M

PART-A

Answer All questions. Each question carries THREE marks.

10x3=30M

1. If  $A = \left\{0, \frac{\pi}{6}, \frac{\pi}{4}, \frac{\pi}{3}, \frac{\pi}{2}\right\}$  and  $f : A \rightarrow B$  is a function such that  $f(x) = \cos x$ , then find the range of  $f$ . **CO 1**
2. Resolve the function  $\frac{x}{(x-1)(x-2)}$  into partial fractions. **CO 1**
3. If  $A = \begin{bmatrix} 3 & 9 & 0 \\ 1 & 8 & -2 \end{bmatrix}$  and  $B = \begin{bmatrix} 4 & 0 & 2 \\ 7 & 1 & 4 \end{bmatrix}$ , find  $A+B$  and  $A-B$ . **CO1**
4. Show that  $\frac{\cos 16^\circ + \sin 16^\circ}{\cos 16^\circ - \sin 16^\circ} = \tan 61^\circ$ . **CO2**
5. Prove that  $\frac{\sin 2\theta}{1 - \cos 2\theta} = \cot \theta$ . **CO2**
6. Find the modulus of the complex number  $\left(\frac{1-i}{2+i}\right)$ . **CO2**
7. Find the distance between parallel lines  $x+2y+3=0$  and  $x+2y+8=0$ . **CO3**
8. Find  $\lim_{x \rightarrow 0} \frac{\sin 77x}{\sin 11x}$ . **CO4**
9. Differentiate  $3 \tan x - 4 \log x - 7x^2$  w.r.t.  $x$ . **CO4**
10. If  $x = at^2$ ,  $y = 2at$ , then find  $\frac{dy}{dx}$ . **CO4**

**PART-B**

**Answer All questions. Each question carries EIGHT marks.**

**5x8=40M**

11 A) Find the inverse of the matrix  $\begin{bmatrix} 3 & -3 & 4 \\ 2 & -3 & 4 \\ 0 & -1 & 1 \end{bmatrix}$ . **CO1**

Or

B) Solve the system of equations  $x + y + z = 6$ ,  $x - y + z = 2$  and  $2x - y + 3z = 9$  by Cramer's rule. **CO1**

12 A) If  $\cos x + \cos y = \frac{3}{5}$  and  $\cos x - \cos y = \frac{2}{7}$ , then show that **CO2**

$$21 \tan\left(\frac{x-y}{2}\right) + 10 \cot\left(\frac{x+y}{2}\right) = 0.$$

Or

B) If  $\tan^{-1} x + \tan^{-1} y + \tan^{-1} z = \pi$  then show that  $x + y + z = xyz$ . **CO2**

13 A) Solve  $\sqrt{3} \cos \theta - \sin \theta = 1$ . **CO2**

Or

B) In any  $\Delta ABC$ , Show that  $\cot \frac{A}{2} + \cot \frac{B}{2} + \cot \frac{C}{2} = \frac{s^2}{\Delta}$ . **CO2**

14 A) Find the equation of the circle with  $(4, 2)$  and  $(1, 5)$  as the two ends of its diameter and also find its centre and radius. **CO 3**

Or

B) Find the centre, vertices, equation of axes, lengths of axes, eccentricity, foci, equations of directrices and length of latus rectum of the ellipse  $4x^2 + 16y^2 = 1$ . **CO 3**



15 A) Find the derivative of  $\sin^{-1}\left(\frac{2x}{1+x^2}\right)$  w.r.t.  $\tan^{-1}\left(\frac{2x}{1-x^2}\right)$  **CO4**

Or

B) If  $u = \tan^{-1}\left(\frac{x^3-y^3}{x+y}\right)$ , then prove that  $x\frac{\partial u}{\partial x} + y\frac{\partial u}{\partial y} = \sin 2u$ . **CO4**

**PART-C**

**Answer the following question. Question carries TEN marks.**

**1x10=10M**

16. The sum of two numbers is 24. Find them so that the sum of their squares is minimum.

**CO 5**

## PART-A

Answer All questions. Each question carries THREE marks.

10x3=30M

1. If  $f : R \rightarrow R$  is a bijective function such that  $f(x) = ax + b$ , then find  $f^{-1}(x)$ . **CO 1**
2. Resolve the function  $\frac{1}{(x+1)(x-2)}$  into partial fractions. **CO 1**
3. If  $A = \begin{bmatrix} 0 & -1 & 3 \\ 1 & 0 & 7 \\ -3 & x & 0 \end{bmatrix}$  is a skew-symmetric matrix, find the value of  $x$ . **CO 1**
4. Find the value of  $\sin^2 82 \frac{1}{2} - \sin^2 22 \frac{1}{2}$ . **CO2**
5. Prove that  $\frac{\cos 3A}{2\cos 2A - 1} = \cos A$ . **CO2**
6. Find the conjugate of the complex number  $(3-2i).(4+7i)$  **CO2**
7. Find the equation of the line passing through the points  $(1, 2)$  and  $(3, -4)$ . **CO3**
8. Find  $\lim_{x \rightarrow 2} \frac{x^5 - 32}{x - 2}$ . **CO4**
9. Differentiate  $\sqrt{x} - \sec x + \log x$  w.r.t.  $x$ . **CO4**
10. If  $u(x, y) = x^3 - 3axy + y^3$ , then find  $\frac{\partial u}{\partial x}$  and  $\frac{\partial u}{\partial y}$ . **CO4**

**PART-B**

**Answer All questions. Each question carries EIGHT marks. 5x8=40M**

11 A) Show that  $\begin{vmatrix} 1 & 1 & 1 \\ a & b & c \\ a^2 & b^2 & c^2 \end{vmatrix} = (a-b)(b-c)(c-a)$ . **CO1**

Or

B) Solve the system of equations  $x + 2y + 3z = 6$ ,  $3x - 2y + 4z = 5$  and  $x - y - z = -1$

using matrix inversion method.

**CO1**

12 A) Prove that  $\frac{\sin 2\theta + \sin 4\theta + \sin 6\theta}{\cos 2\theta + \cos 4\theta + \cos 6\theta} = \tan 4\theta$ . **CO2**

Or

B) Prove that  $\tan^{-1} \frac{1}{3} + \tan^{-1} \frac{1}{5} + \tan^{-1} \frac{1}{7} + \tan^{-1} \frac{1}{8} = \frac{\pi}{4}$ . **CO2**

13 A) Solve  $2\cos^2 \theta - 3\cos \theta + 1 = 0$ . **CO2**

Or

B) In any  $\Delta ABC$ , Show that  $\sum a^3 \cos(B-C) = 3abc$ . **CO2**

14 A) Find the equation of the circle passing through the points  $(0,0)$ ,  $(6,0)$  and  $(0,8)$ . **CO3**

Or

B) Find the equation of the rectangular hyperbola whose focus is  $(1, 2)$  and directrix is

$3x + 4y - 5 = 0$ .

**CO3**

15 A) If  $\sin y = x \sin(a+y)$ , then prove that  $\frac{dy}{dx} = \frac{\sin^2(a+y)}{\sin a}$ . **CO4**

Or

B) If  $y = \tan^{-1} x$ , then prove that  $(1+x^2)y_2 + 2xy_1 = 0$ . **CO4**

**PART-C**

**Answer the following question. Question carries TEN marks. 1x10=10M**

- 16 Show that the semi-vertical angle of the cone of maximum volume and of given slant height is  $\tan^{-1} \sqrt{2}$ .

**CO4**

Course code	Course Title	No. of Periods per week	Total No. of Periods	Marks for FA	Marks for SA
CM-103	Engineering Physics	4	120	20	80

S.No	Unit Title/Chapter	No of Periods	COs Mapped
1	Units and Dimensions	08	CO1
2	Elements of Vectors	12	CO1
3	Dynamics	12	CO2
4	Friction	10	CO2
5	Work, Power and Energy	12	CO3
6	Simple harmonic motion	12	CO3
7	Heat and Thermodynamics	12	CO4
8	Sound	10	CO4
9	Properties of matter	10	CO5
10	Electricity and Magnetism	12	CO5
11	Modern physics	10	CO5
<b>Total</b>		<b>120</b>	

➤ **Course Objectives**

<b>Course Title: Engineering Physics</b>	
<b>Course Objectives</b>	<ol style="list-style-type: none"> <li>1. To familiarize with the concepts of Physics involved in the process of various Engineering, Industrial and Daily life Applications.</li> <li>2. To understand and apply the basic principles of physics in the field of engineering and technology to familiarize certain natural phenomenon occurring in the day to day life</li> <li>3. To reinforce theoretical concepts by conducting relevant experiments/exercises</li> </ol>

➤ **Course outcomes**

<b>Course Outcomes</b>	CO1	Explain S.I units and dimensions of different physical quantities, basic operations among vector quantities.
	CO2	Explain the motion of objects moving in one dimensions and two dimensions, the causes of motion and hindrance to the motion of the objects especially with respect to friction.
	CO3	Explain the mechanical energy of bodies like PE, KE and conservation law of energy, the properties of simple harmonic motion.
	CO4	Explain gas laws, ideal gas equation, Isothermal and adiabatic processes, Specific heats, to study the laws of thermodynamics. Causes, consequences and methods to minimise noise pollution, explain beats, Doppler effect, Reverberation, echoes.
	CO5	Explain certain properties of solids, liquids like elastic properties, viscosity and surface tension. Explain Ohm's law, to study Kirchoff's laws, to study the principle of Wheatstone's bridge and its application to meter bridge. To study the magnetic force and understand magnetic field. To compute magnetic field strength on axial and equatorial lines of a bar magnet. To familiarise with modern topics like photoelectric effect, optical fibres, superconductivity and nanotechnology.

➤ **Learning Outcome**

➤ **COs-POs mapping strength (as per given table)**

	PO1	PO2	PO3	PO4	PO5	PO6	PO7	PSO1	PSO2	PSO3
CO1	3					1				
CO2	3		2					2		
CO3	3		2						1	
CO4	3	2			2			2		
CO5	3			2			2			2

3 = strongly mapped

2= moderately mapped 1= slightly mapped

➤ **Model Blue Print with weightages for Blooms category and questions for chapter and Cos mapped**

S.No	Unit Title/Chapter	No of Periods	Weightage of marks	Marks wise distribution of weightage				Question wise distribution of weightage				Mapped with CO
				R	U	Ap	An	R	U	Ap	An	
1	Units and Dimensions	08	03	3	0	0	0	1	0	0	0	CO1
2	Elements of Vectors	12	11	3	8	0	0	1	1	0	0	CO1
3	Dynamics	12	11	3	8	0	0	1	1	0	*	CO2
4	Friction	10	11	3	0	8	0	1	0	1	0	CO2
5	Work, Power and Energy	12	11	3	8	0	0	1	1	0	0	CO3
6	Simple harmonic motion	12	11	3	8	0	0	1	1	0	*	CO3
7	Heat and Thermodynamics	12	11	0	8	3	0	0	1	1	*	CO4
8	Sound	10	11	0	8	3	0	0	1	1	0	CO4
9	Properties of matter	10	08	0	8	0	0	0	1	0	0	CO5
10	Electricity and Magnetism	12	14	6	0	8	0	2	0	1	0	CO5
11	Modern physics	10	08	0	8	0	0	0	1	0	0	CO5
<b>Total</b>		<b>120</b>	<b>110</b>	<b>24</b>	<b>64</b>	<b>22</b>	<b>0</b>	<b>8</b>	<b>8</b>	<b>4</b>	<b>* 10</b>	

**\*One question of HOTS for 10 marks from any of the unit title 3 or 6 or 7**

## Learning Outcomes

### 1.0 Concept of Units and dimensions

- 1.1 Explain the concept of Units , Physical quantity, Fundamental physical quantities and Derived physical quantities
- 1.2 Define unit, fundamental units and derived units, State SI units with symbols
- 1.3 State Multiples and submultiples in SI system, State Rules of writing S.I.units, State advantages of SI units
- 1.4 Define Dimensions, Write Dimensional formulae of physical quantities
- 1.5 List dimensional constants and dimensionless quantities
- 1.6 State the principle of Homogeneity of Dimensions
- 1.7 State the applications and limitations of Dimension analysis
- 1.8 Errors in measurement, Absolute error, relative error, percentage error, significant figures
- 1.9 Solve problems

### 2.0 Concept of Elements of Vectors

- 2.1 Explain the concept of scalars, Vectors and give examples
- 2.2 Represent vectors graphically, Classify the Vectors, Resolve the vectors
- 2.3 Determine the resultant of a vector by component method, represent a vector in Space using unit vectors  $(i, j, k)$
- 2.4 State and explain triangle law, parallelogram law, polygon law of addition of vectors
- 2.5 Define Dot product of two vectors with examples (Work done, Power), Mention the Properties of dot product
- 2.6 Define cross products of two vectors with examples (Torque, Linear velocity) Mention the properties of Cross product.
- 2.7 Solve the related numerical problems



### **3.0 Concept of Dynamics**

- 3.1 Write the equations of motion in a straight line Explain the acceleration due to gravity
- 3.2 Explain vertical motion of a body and derive expressions for a) Maximum Height, b) time of ascent, c) time of descent, and d) time of flight
- 3.3 Derive height of a tower when a body projected vertically upwards from the top of a tower.
- 3.4 Explain projectile motion with examples
- 3.5 Explain Horizontal projection and Derive an expression for the path of a projectile in horizontal projection
- 3.6 Explain oblique projection and derive an expression for it. Derive formulae for a) Maximum Height, b) time of ascent, c) time of descent, and d) time of flight e) Horizontal Range, f) Maximum range
- 3.7 Define force, momentum, angular displacement, angular velocity, angular acceleration, angular momentum, moment of inertia, torque
- 3.8 Solve the related numerical problems

### **4.0 Concept of Friction**

- 4.1 Define friction and classify the types of friction.
- 4.2 Explain the concept of Normal reaction
- 4.3 State the laws of friction
- 4.4 Define coefficients of friction, Angle of friction and Angle of repose
- 4.5 Derive expressions for acceleration of a body on a rough inclined plane (upwards and downwards)
- 4.6 List the Advantages and Disadvantages of friction
- 4.7 Mention the methods of minimizing friction
- 4.8 Explain why it is easy to pull a lawn roller than to push it
- 4.9 Solve the related numerical problems

## **5.0 Concepts of Work, Power, and Energy**

- 5.1 Define the terms Work, Power and Energy. State SI units and dimensional formulae
- 5.2 Define potential energy and give examples, derive an expression for P.E
- 5.3 Define Kinetic energy and give examples, derive an expression for K.E
- 5.4 State and derive Work-Energy theorem
- 5.5 Derive the relation between Kinetic energy and momentum
- 5.6 State the law of conservation of energy and Verify it in the case of a freely Falling body
- 5.7 Solve the related numerical problems

## **6.0 Concepts of Simple harmonic motion**

- 6.1 Define Simple harmonic motion, Give examples, State the conditions
- 6.2 Explanation of uniform circular motion of a particle is a combination of two perpendicular SHMs.
- 6.3 Derive expressions for displacement, velocity, acceleration, Frequency, Time period of a particle executing SHM.
- 6.4 Define phase of SHM
- 6.5 Define Ideal simple pendulum and derive expression for Time period of simple pendulum
- 6.6 State the laws of motion of simple pendulum
- 6.7 Solve the related numerical problems

## **7.0 Concept of Heat and thermodynamics**

- 7.1 Explain the concept of expansion of gases
- 7.2 State and explain Boyle's and Charles laws.
- 7.3 Define absolute zero temperature, absolute scale of temperature
- 7.4 Define ideal gas and distinguish from real gas
- 7.5 Derive Ideal gas equation. Define Specific gas constant and Universal gas Constant, write S.I unit and Dimensional Formula. Calculate the value of R.
- 7.6 Explain why universal gas constant is same for all gases

- 7.7 State and Explain Isothermal process and adiabatic process
- 7.8 State first and second laws of thermodynamics and state applications
- 7.9 Define specific heats & molar specific heats of a gas, Derive  $C_p - C_v = R$
- 7.10 Solve the relevant numerical problems

## 8.0 Concept of Sound

- 8.1 Concept of the sound, Wave motion (longitudinal and transverse wave)
- 8.2 Distinguish between musical sound and noise
- 8.3 Explain noise pollution and state SI unit for intensity level of sound
- 8.4 Explain causes, effects and methods of minimizing of noise pollution
- 8.5 Explain the phenomenon of beats State the applications
- 8.6 Define Doppler effect, List the Applications
- 8.7 Define reverberation and reverberation time and Write Sabine's formula
- 8.8 Define and Explain echoes state its applications
- 8.9 State conditions of good auditorium
- 8.10 Solve the related numerical problems

## 9.0 Concepts of properties of matter

- 9.1 Explain the terms Elasticity, stress, strain and types of Stress and Strain
- 9.2 State and explain Hooke's law
- 9.3 Definitions of Modulus of elasticity, Young's modulus ( $Y$ ), Bulk modulus ( $K$ ), Rigidity modulus ( $n$ ), Poisson's ratio ( $\sigma$ ),
- 9.4 Define surface tension and give examples
- 9.5 Explain Surface tension with reference to molecular theory
- 9.6 Define angle of contact and capillarity and write formula for Surface Tension
- 9.7 Explain the concept of Viscosity; give examples, Write Newton's formula.
- 9.8 Define co-efficient of viscosity and write its units and dimensional formula and State Poiseuille's equation for Co-efficient of viscosity
- 9.9 Explain the effect of temperature on viscosity of liquids and gases
- 9.10 Solve the related numerical problems

## **10. Concepts of Electricity and Magnetism**

- 10.1 Explain Ohm's law in electricity and write the formula
- 10.2 Define specific resistance, conductance and state their units
- 10.3 Explain Kichoff's laws
- 10.4 Describe Wheat stone's bridge with legible sketch
- 10.5 Describe Meter Bridge for the determination of resistivity with a circuit diagram
- 10.6 Explain the concept of magnetism. State the Coulomb's inverse square law of magnetism
- 10.7 Define magnetic field and magnetic lines of force and write the properties of magnetic lines of force
- 10.8 Derive an expression for the moment of couple on a bar magnet placed in a uniform magnetic field
- 10.9 Derive equations for Magnetic induction field strength at a point on the axial line and on the equatorial line of a bar magnet.
- 10.10 Solve the related numerical problems

## **11.0 Concepts of Modern physics**

- 11.1 State and Explain Photo-electric effect and Write Einstein's photoelectric equation
- 11.2 State laws of photo electric effect
- 11.3 Explain the Working of photo electric cell, write its applications.
- 11.4 Recapitulatere fraction of light and its laws, criticalangle, TotalInternal Reflection
- 11.5 Explain the principle and working of Optical Fiber, mention different types of Optical Fibre, state the applications
- 11.6 Define super conductor and superconductivity and mention examples
- 11.7 State the properties of super conductingmaterials and list the applications
- 11.8 Nanotechnology definition, non materials, applications

## COURSE CONTENT

### 1. Units and Dimensions:

Introduction – Physical quantity – Fundamental and Derived quantities – Fundamental and Derived units- SI units –Multiples and Sub multiples – Rules for writing S.I. units- Advantages of SI units – Dimensions and Dimensional formulae- Dimensional constants and Dimensionless quantities- Principle of Homogeneity- Advantages and limitations of Dimension analysis-Errors in measurement, Absolute error, relative error, percentage error, significant figures-Problems.

### 2. Elements of Vectors:

Scalars and Vectors–Types of vectors(Proper Vector, Null Vector, Unit Vector, Equal, Negative Vector, Like Vectors, Co-Initial Vectors, Co-planar Vectors and Position Vector). Addition of vectors-Representation of vectors- Resolution of vectors - Parallelogram, Triangle and Polygon laws of vectors–Subtraction of vectors- Dot and Cross products of vectors-Problems

### 3. Dynamics

Introduction-Concept of acceleration due to gravity-Equations of motion for a freely falling body and for a body thrown up vertically- Projectiles- Horizontal and Oblique projections- Expressions for maximum height, time of flight, range-Define force, momentum, angular displacement, angular velocity, angular acceleration, angular momentum, moment of inertia, torque–problems

### 4. Friction:

Introduction to friction- Causes- Types of friction- Laws of friction- Angle of repose-Angle of friction- rough inclined plane- Advantages and disadvantages of friction-Methods of reducing friction–Problems

### 5. Work, Power and Energy:

Work, Power and Energy- Definitions and explanation- potential energy- kinetic energy- Derivations of Potential and Kinetic energies-K.E and Momentum relation - Work-Energy theorem- Law of Conservation of energy- Problems

### 6. Simple Harmonic Motion:

Introduction- Conditions of SHM- Definition- Examples- Expressions for displacement, velocity, acceleration, Time period, frequency and phase in SHM- Time period of a simple pendulum- Laws of simple pendulum-seconds pendulum-Problems

### 7. Heat and Thermodynamics:

Expansion of Gases-Boyle's law-Absolute scale of temperature- Charles laws- Ideal gas equation- Universal gas constant- Differences between  $r$  and  $R$ -Isothermal and adiabatic processes- Laws of thermodynamics- Specific heats - molar specific heats of a gas -Different modes of transmission of heat Laws of thermal conductivity, Coefficient of thermal conductivity-Problems

## 8. Sound:

Sound- Nature of sound- Types of wave motion -musical sound and noise- Noise pollution – Causes & effects- Methods of reducing noise pollution- Beats- Doppler effect- Echo- Reverberation-Reverberation time-Sabine 's formula-Conditions of good auditorium-Problems

## 9. Properties of matter

Definition of Elasticity –Definition of stress and strain -the units and dimensional formulae for stress and strain-The Hooke's law-Definitions of Modulus of elasticity, Young's modulus(Y), Bulk modulus(K), Rigidity modulus ( $n$ ),Poisson's ratio ( $\sigma$ ), relation between Y, K,  $n$  and  $\sigma$ (equations only no derivation)

Definition of surface tension-Explanation of Surface tension with reference to molecular theory - Definition of angle of contact -Definition of capillarity -The formula for surface tension based on capillarity - Explanation of concept of Viscosity - Examples for surface tension and Viscosity - Newton's formula for viscous force- Definition of co-efficient of viscosity- The effect of temperature on viscosity of liquids and gases - Poiseuille's equation for Co-efficient of viscosity- The related numerical problems

## 10. Electricity & Magnetism:

Ohm's law and explanation-Specific resistance-Kirchoff's laws- Wheat stone's bridge- Meter bridge-Coulomb's inverse square law magnetic field- magnetic lines of force- Magnetic induction field strength- magnetic induction field strength at a point on the axial line - magnetic induction field strength at a point on the equatorial line–problems.

## 11. Modern Physics;

Photoelectric effect –Einstein's photoelectric equation-laws of photoelectric effect-photo electric cell–Applications of photo electric effect- Total internal reflection- fiber optics- - principle and working of an optical fiber -types of optical fibers - Applications of optical fibers- superconductivity–applications-Nanotechnology definition, non-materials, applications

## REFERENCEBOOKS

- |                                       |                                    |
|---------------------------------------|------------------------------------|
| 1. Telugu Academy ( English version ) | Intermediate physics Volume-I & 2  |
| 2. Dr. S .I.Guptha and Sanjeev Guptha | Unified physics Volume 1,2,3 and 4 |
| 3. Resnick & Holiday                  | Text book of physics Volume I      |
| 4. Dhanpath Roy                       | Text book of applied physics       |
| 5. D.A Hill                           | Fibre optics                       |
| 6. XI & XII Standard                  | NCERT Text Books                   |

- **Table specifying the scope of syllabus to be covered for Unit Tests**

<b>Unit Test</b>	<b>Learning outcomes to be covered</b>
Unit Test – 1	<b>From 1.1 to 4.9</b>
Unit Test – 2	<b>From 5.1 to 8.10</b>
Unit Test – 3	<b>From 9.1 to 11.8</b>

- **Model question paper for Unit Test with COs mapped**

**UNIT TEST –I**

**Model Question Paper (C-20)**

**ENGINEERING PHYSICS (103)**

TIME: 90 minutes

Total Marks:40

**PART-A**

**16 Marks**

Instructions: (1) Answer all questions.

(2) First question carries 4 marks and others carry 3 marks each.

(3) Answers for Question Numbers 2 to 5 should be brief and straight to

The point and shall not exceed five simple sentences.

1. i) The dimensional formula of force is \_\_\_\_\_ (CO1)  
ii) which of the following is a scalar (CO1) [ ]  
a) force b) work c) displacement d) velocity  
iii) we can add a scalar to a vector (Yes / No) (CO1)  
iv) Friction is a self-adjusting force. [True / False] (CO2)
2. Define dot product. Give one example. (CO1)
3. A force of 150 N acts on a particle at an angle of  $30^\circ$  to the horizontal. Find the horizontal and vertical components of force (CO1)
4. Define projectile. Give two examples.(CO2)
5. It is easier to pull a lawn roller than to push it. Explain (CO2)



*Instructions:* (1) Answer all questions. Each question carries 8marks.

(2) Answer should be comprehensive and the criteria for evaluation is content but not the length of the answer.

6) (A) Derive an expression for magnitude and direction of resultant of two vectors using parallelogram law of vectors (CO1)

OR

(B) Write any four properties of dot product and any four properties of cross product (CO1)

7) (A) Show that path of a projectile is a parabola in case of oblique Projection. (CO2)

OR

(B) Derive the expression for range and time of flight of a projectile (CO2)

8) (A) State and explain polygon law of vector addition with a neat diagram (CO1)

OR

(B) Derive the equation for acceleration of a body on a rough inclined plane (CO2)

**BOARD DIPLOMA EXAMINATION, (C-20)**

**FIRST YEAR EXAMINATION**

**Common-103, ENGINEERING PHYSICS**

**Time : 3 hours ]**

**[ Total Marks : 80**

**PART—A**

**3×10=30**

Instructions : (1) Answer all questions.  
(2) Each question carries three marks.  
(3) Answers should be brief and straight to the point and shall not exceed five simple sentences.

1. Write the dimensional formula of the following physical quantities (CO1)  
(a) Velocity                      (b) Force                      (c) Angular momentum
2. Write any three properties of scalar product.(CO1)
3. Define projectile. Give two examples.(CO2)
4. It is easier to pull a lawn roller than to push it. Explain.(CO2)
5. Define potential energy and kinetic energy. (CO3)
6. For a body in simple harmonic motion velocity at mean position is 4m/s, if the time period is 3.14 s, find its amplitude. (CO3)
7. State first and second laws of thermodynamics. (CO4)
8. Write any three conditions of good auditorium (CO4)
9. Define ohmic and non-ohmic conductors.(CO5)
10. State Coulomb's inverse square law of magnetism.(CO5)

**PART—B**

**8 ×5= 40**

- Instructions : (1) Each question carries eight marks.  
(2) Answers should be comprehensive and the criterion for valuation is the content but not the length of the answer.

11. A) Derive an expression for magnitude and direction of the resultant of two vectors using parallelogram law of vectors. (CO1)

OR

B) Show that path of a projectile is parabola in case of oblique projection and derive expression for maximum height.(CO2)

12. A) Derive expression for acceleration of a body sliding downwards on a rough inclined plane.(CO2)

OR

B) Verify the law of conservation of energy in case of a freely falling body.(CO3)

13. A) Derive an expression for velocity and acceleration of a particle performing simple harmonic motion. (CO3)

OR

B) Define ideal gas and derive ideal gas equation.(CO4)

14. A) Two tuning forks A and B produce 4 beats per second. On loading B with wax 6 beats are produced. If the quantity of wax is reduced the number of beats drops to 4. If the frequency of A is 326 Hz, find the frequency of B.(CO4)

OR

B) Explain surface tension based on molecular theory. Write three examples of surface tension. (CO5)

15. A) Derive an expression for balancing condition of Wheat stone's bridge with a neat circuit diagram.(CO5)

OR

B) Explain principle and working of optical fibers. Write any three applications (CO5).

**PART C**

**1 x 10 = 10**

16) Derive relationship between  $C_p$  and  $C_v$  and hence show that  $C_p$  is greater than  $C_v$ . (CO4)

Course code	Course Title	No. of Periods per week	Total No. of Periods	Marks for FA	Marks for SA
CM-104	Engineering Chemistry and Environmental Studies	4	120	20	80

S.No	Unit Title/Chapter	No of Periods	COs Mapped
1	Fundamentals of Chemistry	18	CO1
2	Solutions	10	CO1
3	Acids and bases	10	CO1
4	Principles of Metallurgy	8	CO1
5	Electrochemistry	16	CO2
6	Corrosion	8	CO2
7	Water Treatment	10	CO3
8	Polymers	12	CO4
9	Fuels	6	CO4
10	Chemistry in daily life	6	CO4
11	Environmental Studies	16	CO5
Total		120	

➤ **Course Objectives**

<b>Course Title: Engineering Chemistry &amp; Environmental Studies</b>	
<b>Course Objectives</b>	<ol style="list-style-type: none"> <li>4. To familiarize with the concepts of chemistry involved in the process of various Engineering Industrial Applications.</li> <li>5. To know the various natural and man-made environmental issues and concerns with an interdisciplinary approach that include physical, chemical, biological and socio cultural aspects of environment.</li> <li>6. to reinforce theoretical concepts by conducting relevant experiments/exercises</li> </ol>

➤ **Course outcomes**

<b>Course Outcomes</b>	CO1	Explain Bohr's atomic model, chemical bonding, mole concept, acids and bases, P <sup>H</sup> metallurgical process and alloys
	CO2	Explain electrolysis, Galvanic cell, emf and corrosion
	CO3	Synthesise of Plastics and rubber and industrial applications of fuels
	CO4	Describe the methods of treatment of water and give the information about chemical compounds used in our daily life
	CO5	Explain the causes, effects and control methods of air and water pollution and measures to protect the environment

➤ **COs-POs mapping strength (as per given table)**

CM-104	PO1	PO2	PO3	PO4	PO5	PO6	PO7	PSO1	PSO2	PSO3
CO1	3	1	2					3		
CO2	3			2				2	1	
CO3	3		2							
CO4	3				2		2			
CO5	3				3					3

3 = strongly mapped

2 = moderately mapped

1 = slightly mapped

➤ **Model Blue Print with weightages for Blooms category and questions for each chapter and COs mapped**

S.No	Unit Title/Chapter	No of Periods	Weight age of marks	Marks wise distribution of Weightage				Question wise distribution of Weightage				Mapped with CO
				R	U	Ap	An	R	U	Ap	An	
1	Fundamentals of Chemistry	18	19	8	8	3		1	1	1		CO1
2	Solutions	10	11	0	0	8	3			1	1	CO1
3	Acids and bases	10	11	0	8	0	3		1		1	CO1
4	Principles of Metallurgy	8	8	8	0	0		1				CO1
5	Electrochemistry	16	11	8	3	0		1	1		*	CO2
6	Corrosion	8	8	0	8	0			1			CO2
7	Water Treatment	10	11	8	3	0		1	1			CO3
8	Polymers	12	11	3	8	0		1	1		*	CO4
9	Fuels	6	3	3	0	0		1				CO4
10	Chemistry in daily life	6	3	0	0	3				1		CO4
11	Environmental Studies	16	14	3	11	0		1	2			CO5
Total		120	110	12	6	6	6	20	35	5	* 10	

**\*One question of HOTs for 10 marks from any of the unit title 5 or 8**

## Upon completion of the course the student shall be able to learn out

### ENGINEERING CHEMISTRY AND ENVIRONMENTAL STUDIES

#### 1.0 Atomic structure

- 1.1 Explain the charge, mass of fundamental particles of an atom (electron, proton and neutron) and the concept of atomic number and mass number.
- 1.2 State the Postulates of Bohr's atomic theory and its limitations.
- 1.3 Explain the significance of four Quantum numbers.
- 1.4 Explain 1. Aufbau principle, 2 Pauli's exclusion principle 3 Hund's rule.
- 1.5 Define Orbital of an atom, draw the shapes of s, p and d- Orbitals and draw the shapes of s, p and d-Orbitals.
- 1.6 Write the electronic configuration of elements up to atomic number 30
- 1.7 Explain the significance of chemical bonding
- 1.8 Explain the Postulates of Electronic theory of valency.
- 1.9 Define and explain Ionic and Covalent bonds with examples of NaCl, MgO, \*H<sub>2</sub>, \*O<sub>2</sub> and \*N<sub>2</sub>. (\* Lewis dot method)
- 1.10 List out the Properties of Ionic compounds and covalent compounds and distinguish between their properties.
- 1.11 Structures of ionic solids-define a) Unit cell b) co-ordination number and the structures of NaCl and CsCl unit cells.

#### 2.0 Solutions

- 2.1 Define the terms 1. Solution, 2. Solute and 3. Solvent
- 2.2 Classify solutions based on physical state and solubility
- 2.3 Define mole and problems on mole concept.
- 2.4 Define the terms 1. Atomic weight, 2. Molecular weight and 3. Equivalent weight and calculate Molecular weight and Equivalent weight of the given acids. (HCl, H<sub>2</sub>SO<sub>4</sub>, H<sub>3</sub>PO<sub>4</sub>) Bases (NaOH, Ca(OH)<sub>2</sub>, Al(OH)<sub>3</sub>) and Salts (NaCl, Na<sub>2</sub>CO<sub>3</sub>, CaCO<sub>3</sub>)

2.5 Define molarity and normality and numerical problems on molarity and normality

a) Calculate the Molarity or Normality if weight of solute and volume of solution are given

b) Calculate the weight of solute if Molarity or normality with volume of solution are given

c) Problems on dilution to convert high concentrated solutions to low concentrated solutions

### **3.0 Acids and bases**

3.1 Explain Arrhenius theory of Acids and Bases and give the limitations of Arrhenius theory of Acids and Bases.

3.2 Explain Bronsted– Lowry theory of acids and bases and give the limitations of Bronsted– Lowry theory of acids and bases.

3.3 Explain Lewis theory of acids and bases and give the limitations of Lewis theory of acids and bases.

3.4 Explain the Ionic product of water

3.5 Define pH and explain  $P^H$  scale and solve the Numerical problems on pH(Strong Acids and Bases)

3.6 Define and explain buffer solution and give the examples of buffer solutions.

3.7 State the application of buffer solutions

### **4.0 Principles of Metallurgy**

4.1 List out the Characteristics of Metals and non-metals

4.2 Distinguish between Metals and Non-metals

4.3 Define the terms 1.Mineral, 2.Ore, 3. Gangue, 4.Flux 5.Slag

4.4 Describe the methods of concentration of Ore; 1.Handpicking, 2.Levigation and 3. Froth Floatation

4.5 Describe the methods involved in extraction of crude metal- Roasting, Calcination and Smelting.

4.6 Explain the purification of Copper by Electrolytic Refining



4.7 Define an Alloy and Write the composition and uses of the following alloys.

1. Brass
2. German silver
3. Nichrome.

## 5.0 Electrochemistry

5.1 Define the terms

1. Conductor

2. Semiconductor

3. Insulator

4. Electrolyte

5. Non-electrolyte. Give two examples each.

5.2 Distinguish between metallic conduction and Electrolytic conduction

5.3 Explain electrolysis by taking example used NaCl

5.4 Explain Faraday's laws of electrolysis

5.5 Define 1. Chemical equivalent (E) 2. Electrochemical equivalent (e) and their relation.

5.6 Solve the Numerical problems on Faraday's laws of electrolysis and applications of electrolysis (Electro plating)

5.7 Define Galvanic cell and explain the construction and working of Galvanic cell.

5.8 Distinguish between electrolytic cell and galvanic cell

5.9 Explain the electrode potentials and standard electrode potentials

5.10 Explain the electro chemical series and its significance

5.11 Explain the emf of a cell and solve the numerical problems the cell based on standard electrode potentials.

## 6.0 Corrosion

6.1 Define the term corrosion.

6.2 state the Factor influencing the rate of corrosion

6.3 Describe the formation of a) composition cell b) stress cell c) concentration cell during corrosion.

6.4 Define rusting of iron and explain the mechanism of rusting of iron.

- 6.5 Explain the methods of prevention of corrosion
- a) Protective coatings (anodic and cathodic coatings)
  - b) Cathodic protection (Sacrificial anode process and Impressed-voltage process)

## **7.0 Water Treatment**

- 7.1 Define soft water and hard water with respect to soap action.
- 7.2 Define and Classify the hardness of water.
- 7.3 List out the salts that causing hardness of water (with Formulae)
- 7.4 State the disadvantages of using hard water in industries.
- 7.5 Define Degree of hardness and units of hardness (mg/L) or( ppm).
- 7.6 Explain the method so f softening of hard water: a) Ion-exchange process, b)Permuted process or zeolite process
- 7.7 State the essential qualities of drinking water.
- 7.8 Chemistry involved in treatment of water (Coagulation, Chlorination, deflouridation)
- 7.9 Explain Osmosis and Reverse Osmosis with examples.
- 7.10 State the applications of Reverse Osmosis.

## **8.0 Polymers**

- 8.1 Explain the concept of polymerization
- 8.2 Describe the methods of polymerization a) addition polymerization of ethylene  
b)condensation polymerization of Bakelite(Only flowchart)
- 8.3 Define the term plastic and classify the plastics with examples.
- 8.4 Distinguish between thermo plastics and the rmo setting plastics
- 8.5 List the Characteristics of plastics and state the disadvantages of using plastics.
- 8.6 State the advantages of plastics over traditional materials.
- 8.7 Explain the methods of preparation and uses of the following plastics:  
1. PVC, 2.Teflon, 3. Polystyrene 4. Nylon 6,6
- 8.8 Explain processing of Natural rubber and write the structural formula of Natural rubber.
- 8.9 List the Characteristics of raw rubber
- 8.10 Define and explain Vulcanization and List out the Characteristics of Vulcanized rubber.

8.11 Define the term Elastomer and describe the preparation and uses of the following synthetic rubbers a) Buna-s and b)Neoprene rubber.

## **9.0 Fuels**

9.1 Define the term fuel

9.2 Classify the fuels based on physical state and based on occurrence.

9.3 List the characteristics of good fuel.

9.4 State the composition and uses of gaseous fuels.

a)water gas b)producer gas, c)natural gas, d) Coal gas, e)Biogas.

## **10.0 Chemistry in daily life**

10. Give the basic chemical composition, applications, health aspects and pollution impacts of

a) soaps, and detergents

b)vinegar

c) Insect repellent sand

d) activated charcoal

e) Soft drinks

## **11.0 ENVIRONMENTALSTUDIES**

11.1 Define the term environment and explain the scope and importance of environmental studies

11.2 Define the segments of environment 1).Lithosphere, 2).Hydrosphere, 3).Atmosphere, 4).Biosphere,

11.3 Define the following terms 1)Pollutant, 2).Pollution, 3).Contaminant, 4)receptor, 5)sink, 6) particulates, 7)dissolved oxygen (DO), 8)Threshold limit value (TLV), 9).BOD,10).COD 11) eco system12 ) Producers13 ) Consumers 14) Decomposers with examples

11.4 State the renewable and non renewable energy sources with examples.

11.5 Explain biodiversity and threats to biodiversity

11.6 Define air pollution and classify the air pollutants-based on origin and physical state of matter.

11.7 Explain the causes, effects of air pollution on human beings, plants and animals and control methods of air pollution.

11.8 State the uses of forest resources.

11.9 State the deforestation and its causes and effects.

11.10 Explain the 1.) Green house effect , 2) Ozone layer depletion and 3) Acidrain

11.11 Define Water pollution, explain the causes, effects and control methods of Water pollution.

## **COURSE CONTENT**

### **ENGINEERING CHEMISTRY AND ENVIRONMENTAL STUDIES**

#### **1. Fundamentals of Chemistry**

**Atomic Structure:** Introduction - Fundamental particles – Bohr's theory – Quantum numbers –Aufbau principle - Hund's rule - Pauli's exclusion Principle- Orbitals, shapes of s, p and d orbitals - Electronic configurations of elements

**Chemical Bonding:** Introduction – types of chemical bonds – Ionic and covalent bond with examples – Properties of Ionic and Covalent compounds- structures of ionic crystals (NaCl and CsCl).

#### **2. Solutions**

Introduction of concentration methods – mole concept, molarity and normality – Numerical problems on mole, molarity and normality.

#### **3. Acids and Bases**

Introduction – Theories of acids and bases and limitations – Arrhenius theory-Bronsted – Lowry theory – Lewis acid base theory – Ionic product of water- pH related numerical problems – Buffer solutions, action of buffer and its applications.

#### **4. Principles of Metallurgy**

Characteristics of Metals and non-metals –Distinguish between Metals and Non-metals, Define the terms i) Metallurgy ii) ore iii) Gangue iv) flux v) Slag - Concentration of Ore –Hand picking, Levigation, Froth floatation – Methods of Extraction of crude Metal – Roasting, Calcination, Smelting – Alloys – Composition and uses of brass, German silver and ni chrome.

#### **5. Electrochemistry**

Conductors, semiconductors, insulators, electrolytes and non-electrolytes – electrolysis – Faraday's laws of electrolysis-application of electrolysis(electroplating) -numerical problems on Faraday's laws – Galvanic cell – standard electrode potential – electrochemical series–emf and numerical problems on emf of a cell .

#### **6. Corrosion**

Introduction - factors influencing corrosion - composition, stress and concentration cells – rusting of iron and its mechanism – prevention of corrosion by coating methods, cathodic protection methods.

## 7. Water technology

Introduction—soft and hard water—causes of hardness—types of hardness

—disadvantages of hard water – degree of hardness (ppm and mg/lit) – softening methods – permutit process – ion exchange process— qualities of drinking water –Chemistry involved in treatment of water (Coagulation, Chlorination, defluoridation) - Osmosis, Reverse Osmosis – Applications of Reverse osmosis.

## 8. Polymers

Introduction – polymerization – types of polymerization – addition, condensation with examples – plastics – types of plastics – advantages of plastics over traditional materials- Disadvantages of using plastics – Preparation and uses of the following plastics i).PVC ii) Teflon iii) Polystyrene iv) .Nylonn 6,6 –Processing of natural rubber - Vulcanization – Elastomers- Preparation and applications of Buna-s, Neoprene rubbers.

## 9. Fuels

Definition and classification of fuels—characteristics of good fuel-composition and uses of gaseous fuels.

## 10. Chemistry in daily life

Basic composition, applications, health aspects and pollution impacts of soaps and detergents, vinegar, insect repellants, soft drinks, activated charcoal.

## 11. ENVIRONMENTALSTUDIES

Introduction— environment –scope and importance of environmental studies – important terms related to environment— renewable and non-renewable energy sources—Concept of ecosystem – Biotic components –Forest resources – Deforestation -Biodiversity and its threats-Air pollution – causes-effects—Global environmental issues – control measures – Water pollution – causes – effects – control measures.

**Table specifying the scope of syllabus to be covered for unit test 1, unit test 2 and unit test 3**

Unit Test	Learning outcomes to be covered
Unit Test - 1	From 1.1 to 4.7
Unit Test - 2	From 5.1 to 8.11
Unit Test - 3	From 9.1 to 11.11

### REFERENCEBOOKS

1. Telugu Academy Intermediate chemistry Vol 1&2
2. Jain & Jain Engineering Chemistry
3. O.P. Agarwal, Hi- Tech. Engineering Chemistry
4. Sharma Engineering Chemistry
5. A.K. De Engineering Chemistry

➤ **Model question paper for Unit Test with Cos mapped**

**UNIT TEST –I**

**Model Question Paper (C-20)**

ENGINEERING CHEMISTRY & ENVIRONMENTAL STUDIES (104)

**TIME: 90 minutes**

**Total Marks:40**

**PART-A**

**16 Marks**

**Instructions: (1) Answer all questions.**

**(2) First question carries 4 marks and each of rest carries 3 marks.**

**(3) Answers for Q.No. 2 to 5 should be brief and straight to the point and shall not exceed five simple sentences.**

1. a. Number of neutrons in  ${}_{11}\text{Na}^{23}$  is -----(CO1)  
b. The molarity and normality of HCl is the same (True or False)(CO1)  
c. What is the  $\text{p}^{\text{H}}$  range of base?(CO1)  
d. Graphite is a good conductor of electricity (Yes or No)(CO1)
2. Define Covalent bond. Explain the formation of covalent bond in Oxygen and Nitrogen molecules.(CO1)
3. Define mole. Calculate the number of moles present in 50 gm of  $\text{CaCO}_3$  and 9.8 gm of  $\text{H}_2\text{SO}_4$ .(CO1)
4. Define  $\text{P}^{\text{H}}$ . Calculate the  $\text{P}^{\text{H}}$  of 0.001M HCl and 0.01M NaOH solution.(CO1)
5. Write the composition and applications of German silver and Nichrome.(CO1)

**PART – B**

**3x8M = 24M**

**Answer either (A) or (B) from each questions from Part-B.**

**Each question carries 8 marks.**

6. A) Explain Postulations of Bhor's atomic theory. Give its limitations.(CO1)

(OR)

B) Explain the significance of Quantum numbers.(CO1)

7. A) Express molarity normality with mathematical equation. Calculate the molarity and normality of 10gm of NaOH present in 500 ml solution.(CO1)

(OR)

B) Explain Bronsted-Lowry theory of acids and bases. Give its limitations.(CO1)

8. A) Explain Froth floatation process.(CO1)

(OR)

B) Explain Electrolytic refining processing of copper.(CO1)

**Model Question Paper (C-20)**

ENGINEERING CHEMISTRY & ENVIRONMENTAL STUDIES (104)

**TIME: 3hrs**

**Total Marks:80**

**PART-A**

**Instructions: (1) Answer all questions.**

**(2) each question carries 3 marks.**

**Answer all questions. Each question carries three marks.**

**3x10=30M**

1. Draw the shapes of s and p orbitals. (CO1)
2. Define mole. Find the mole number of 10 g of  $\text{CaCO}_3$  (CO1)
3. Define Buffer solution.. Give any two examples. (CO1)
4. Define chemical equivalent and electrochemical equivalent. Give their relation. (CO2)
5. State name of the salts and their formulae that cause hardness. (CO3)
6. Write any three disadvantages of using plastics. (CO4)
7. Classify the fuels based on their occurrence. (CO4)
8. Mention the basic chemical composition and applications of vinegar. (CO4)
9. List out any three threats to biodiversity. (CO5)
10. Define pollutant and contaminant. Give an example each. (CO5)

**PART – B**

**Each question carries eight marks.**

**8x5=40M**

11. A) Explain Bhor's atomic theory and give its limitations. (CO1)

(OR)

B) Explain ionic bond formation and covalent bond formation with one example each(CO1)

12. A) Calculate the molarity and normality of 250 ml of sodium carbonate solution that contains 10.6 gm of sodium carbonate. (CO1)

(OR)

B) Explain Bronstead and Lowry theory of acids and bases. Give its limitations.(CO1)

13. A) Explain froth floatation and electrolytic refining of copper with neat diagrams.(CO1)

(OR)

B) Explain the construction and working of galvanic cell. (CO2)

14. A) Explain Cathode protection methods. (CO2)

(OR)

B) Explain ion-exchange of softening of hard water with a neat diagram. (CO3)

15. A) Explain addition and condensation polymerisation with an example each.(CO4)  
(OR)  
B) Explain the causes and effects of air pollution. (CO5)

**PART –C**

**Question carries ten marks**

**10x1 =10M**

16. Describe methods of preparation and applications of Polystyrene and Teflon. (CO4)



Course code	Course Title	No. of Periods/Weeks	Total No. of periods	Marks for FA	Marks for SA
CM-105	Basics Of Computer Engineering	3	90	20	80

S.No.	Chapter/Unit Title	No.of Periods	CO's Mapped
1.	Fundamentals of Computers	15	CO1,CO3,CO4
2.	Programming Methodology	10	CO2
3.	Operating System basics	20	CO1,CO3
4.	Computer Hardware and Networking Basics	25	CO1,CO4,CO5
5.	Emerging Trends in Computer Technologies	20	CO2,CO6
<b>Total Periods</b>		90	

<b>Course Objectives</b>	Upon completion of the course the student shall be able to
	i) know the fundamentals of Computers ii) familiarize programming methodologies like algorithms and flowcharts iii) understand Operating system basics iv) familiarize Emerging Technologies

<b>Course Outcomes</b>	Upon completion of the course the student shall be able to		
	CO1	CM-105.1	Explain computer fundamentals
	CO2	CM-105.2	Explain various flowchart, algorithm methods
	CO3	CM-105.3	Explain the importance of Basic Computer operating systems
	CO4	CM-105.4	Analyse functioning of various Hardware components
	CO5	CM-105.5	Explain Networking process in computers
	CO6	CM-105.6	Explain basics of emerging technologies in the world

**CO-PO/PSO Matrix:**

CO NO.	PO1	PO2	PO3	PO4	PO5	PO6	PO7	PSO1	PSO2	PSO3
CM-105.1	3							3	1	1
CM-105.2	1	2	2	1		3		1	3	1
CM-105.3	3	1		1		1	1	3	1	1
CM-105.4	3		2	2	1		1	2	1	2
CM-105.5	3		2		1	1	1	2	1	2
CM-105.6	3			1	2		2	2	2	1
Average	2.7	1.5	2	1.25	1.3	1.7	1.25	2.2	1.3	1.3

3=Strongly mapped , 2=moderately mapped, 1=slightly mapped

## **Learning Outcomes:**

### **1.0 Fundamentals of Digital Computer**

- 1.1. Define various terms related to computers – Computer, Hardware , Software, Firmware, High Level Language , Low Level Language
- 1.2. Draw and explain block diagram of a Computer in detail
- 1.3. Describe the current family of CPUs used in Computers.
- 1.4. State the use of storage devices used in a Computer.
- 1.5. List the two types of memory used in a Computer.
- 1.6. State the importance of cache memory.
- 1.7. Explain the generations of computers.
- 1.8. Classification of computers - based on a) size, b) processor.
- 1.9. State the importance of binary number system for use in Digital Computers

### **2.0 Implement Programming Methodology.**

- 2.1. State the different steps involved in problem solving.
- 2.2. Define algorithm.
- 2.3. List four characteristics of algorithm.
- 2.4. Define a program
- 2.5. Differentiate between program and algorithm.
- 2.6. State the steps involved in algorithm development.
- 2.7. Differentiate between algorithm and flowchart.
- 2.8. Develop algorithms for simple problems.
- 2.9. Draw the symbols used in flowcharts.
- 2.10. Draw flowcharts for simple problems.

### **3.0 Operating Systems basics**

- 3.1. Describe the need for an operating system.
- 3.2. List the various operating systems used presently.
- 3.3. List and explain
  - 3.3.1.Types of dos commands
  - 3.3.2.Any 10 Internal Commands
  - 3.3.3.Any 5 External Commands
  - 3.3.4.Features of Windows desktop.
  - 3.3.5.Components of a Window.
- 3.4. State the function of each component of a Window.
- 3.5. Describe the Method of starting a program using start button
- 3.6. Explain usage of maximize, minimize, restore down and close buttons.
- 3.7. State the meaning of a file ,folder.
- 3.8. Describe the Method of viewing the contents of hard disk drive using Explorer
- 3.9. Describe the Method of finding a file using search option.
- 3.10. Use control panel for
  - 3.10.1. installing and uninstalling software
  - 3.10.2. installing and uninstalling hardware
  - 3.10.3. Changing the system date and time
  - 3.10.4. Installing a printer
- 3.11. Explain Drive space using system tool option of Accessories group
- 3.12. Explain Disk defragmentation using System tools
- 3.13. Explain the procedure for changing resolution, color, appearance, screensaver options of the display

## **4.0 Computer Hardware and Networking Basics**

### **4.1 Hardware Basics**

- 4.1.1 Identify hardware used for I/P, O/P & inside computer case, system board components used for communication among devices
- 4.1.2 Software - 3 types of Software:ROM BIOS, OS, application software
- 4.1.3 Explain Functions of BIOS
- 4.1.4 Explain boot process
- 4.1.5 Explain POST and important beep codes
- 4.1.6 Describe about different connectors.

### **4.2 Networking Basics**

- 4.1.1.Explain meaning of a computer network.
- 4.1.2.Describe the concept of a Local Area Network,Wide Area Network
- 4.1.3.Compare Internet and Intranet
- 4.1.4.Describe about internet service provider.
- 4.1.5.Explain the role of a modem in accessing the Internet.
- 4.1.6.Describe address format and IP address
- 4.1.7.What is browser and List various browsers
- 4.1.8.Explain the role of search engines with examples.
- 4.1.9.Explain Internet Security.

## **5.0 Emerging Trends in Computer Technology**

### **5.1. Introduction to Machine Learning**

- 5.1.1.Define Machine Learning, Compare Traditional Programming with Machine Learning
- 5.1.2.List the applications and key elements of Machine Learning
- 5.1.3.Define the terms in relation to approaches to Machine Learning(Decision tree learning, Association rule learning, Artificial neural networks, Deep Learning, Inductive Learning, Genetic algorithms, Clustering)
- 5.1.4.Explain Inductive Learning
- 5.1.5.Classify the Machine Learning

### **5.2. Introduction to Big data**

- 5.2.1.Define and list sources of Big data
- 5.2.2.Evolution of data/big data
- 5.2.3.List and explain the characteristics of big data – the three V's of big data
- 5.2.4.Describe Storing and selecting of Big Data
- 5.2.5.State the Need of Big Data
- 5.2.6.List types of tools used in Big Data
- 5.2.7.List applications of big data

### **5.3. Basics of Ethical Hacking**

- 5.3.1. Define Ethical Hacking and List the categories of Hackers
- 5.3.2. Describe Roles and responsibilities of Ethical Hackers
- 5.3.3. List and explain the phases in Ethical Hacking and Explain Penetrate testing

### **5.4. Virtual Reality concepts**

- 5.4.1.Define the terms Virtual Reality, Telepresence, Cyberspace, Telexistence, HCI (Human-Computer Interaction), Haptics, Hapticstechnologies,augmented reality and mixed reality
- 5.4.2.Discuss the evolution of Virtual Reality

## **COURSE CONTENT**

### **1.0 Fundamentals of Digital Computer**

Block diagram of a digital computer, functional parameters of CPU, Clock speed and word length, Functional blocks of a CPU: ALU and Control unit, types of memory RAM, ROM, purpose of cache memory

### **2.0 Programming Methodology.**

Steps involved in problem solving - Define algorithm , Program - Characteristics of algorithm - Differentiate between program and algorithm- Steps involved in algorithm development - Differentiate algorithm and flowchart - Algorithms for simple problems - Symbols used in flowcharts -Flowcharts for simple problems.

### **3.0 Understand Operating Systems**

Need for an operating system - List the various operating systems - Types of commands, Internal & External Commands Features of Windows desktop - Components of a Window - Function of each component of a Window - Method of starting a program using start button - Maximize, minimize, restore down and close buttons- Meaning of a file and folder -Viewing the contents of hard disk drive using explorer -Finding a file - Formatting a floppy disk using explore option - Installing and uninstalling new software using control panel - installing and un installing a new hardware using control panel - Drive space - disk defragmentation - Installing a printer - Changing resolution, colour, appearance and screensaver options of the display - Changing the system date and time

### **4.0 Computer Hardware and Networking Basics**

Hardware Basics- I/P, O/P - inside computer case- system board components - 3 types of Software - BIOS- boot process - POST - different connectors. Networking Basics - computer network - Local Area Network - Wide Area Network - Compare Internet and Intranet - internet service provider - role of a modem - address format and IP address - browser - search engines with examples - Describe Internet Security.

### **5.0 Emerging Trends in Computer Technology**

Introduction to Machine Learning - Compare Traditional Programming with Machine Learning- applications -know the key elements- Define the terms - learning, Association rule learning, Artificial neural networks, DeepLearning, InductiveLearning, Geneticalgorithms, Clustering- Explain Inductive Learning- Classify the Machine Learning -List the applications

Introduction to Big data - Big data-Evolution -characteristics – the three V's -Storing -Selecting - Need of Big Data -sources of big data -types of tools used - applications

Basics of Ethical Hacking - categories of Hackers - Penetrate testing -Roles and responsibilities of Ethical Hackers- phases in Ethical Hacking

Virtual Reality concepts- Virtual Reality, Telepresence, Cyberspace, Telexistence, HCI ,Haptics, Hapticstechnologies,Discuss the evolution of Virtual Reality

## **REFERENCE BOOKS**

1. Information Technology - Curtin.
2. Computer Science Theory & Application - E. Balaguruswamy, B. Sushila
3. Introduction to Computers (Special Indian Edition) - Peter Norton
4. Cloud Computing : Principles and Paradigms -RajkumarBuyya, James Broberg and AndrzejGoscinski
5. Big Data Basics part1 and 2 in [www.mssqltips.com](http://www.mssqltips.com)
- 6.<http://www.ijeset/media>(for Basics of EthicalHacking)
7. Brief-Introduction-of-Virtual-Reality-its-Challenge by SharmisthaMandalInternational Journal of Scientific & Engineering Research, Volume 4, Issue April-2013)

**Model Blue Print:**

S.No.	Chapter/Unit title	No.of periods	Weightage Allocated	Marks Wise Distribution of Weightage				Question wise Distribution of Weightage				CO's Mapped
				R	U	Ap	An	R	U	Ap	An	
1	Fundamentals of Digital Computers	15	14	3	11			1	2			CO1,CO3,CO4
2	Programming Methodologies	10	14	3	3	8	*	1	1	1	*	CO2
3	Operating system basics	20	14	3	3	8		1	1	1		CO1,CO3
4	Computer Hardware and Networking Basics	25	14	3	11		*	1	2		*	CO1,CO4, CO5
5	Emerging Computer Technologies	20	14	6	8			2	1			CO2,CO6
<b>Total</b>		<b>90</b>	<b>70 + (10*)</b>	<b>18</b>	<b>36</b>	<b>16</b>	<b>10*</b>	<b>6</b>	<b>7</b>	<b>2</b>	<b>1</b>	

Note: Part-C: 10 marks single analytical question may be chosen from any one of starred chapters.

**Table specifying the scope of syllabus to be covered for unit tests**

Unit Test	Learning outcomes to be covered
Unit test-1	From 1.1 to 3.3
Unit test-2	From 3.4 to 4.1
Unit test-3	From 4.2 to 5.4

**DIPLOMA IN COMPUTER ENGINEERING  
MODEL PAPER  
BASICS OF COMPUTER ENGINEERING  
UNIT TEST-1**

**SCHEME: C-20  
MAX MARKS:40**

**SUBJ CODE:CM-105  
TIME: 90 MINUTES**

**PART-A**

**16Marks**

**Instructions:** 1) Answer all questions  
2) First question carries 4marks, and each question of remaining carries 3marks.

1. a) All computer physical components are treated as software(True/False) (CO1)
  - b) -----is the fastest memory in the computer (CO2)
  - c) Step by step procedure to solve problem is ----- (CO2)
  - d) Which one of the following is not an internal command [ ] (CO3)
- i)FORMAT    ii)RD    iii)COPY    iv)CLS
- 2) State the importance of binary number system for use in Digital Computers (CO1)
  - 3)List different steps involved in problem solving (CO2)
  - 4) What is the need for an operating system? (CO3)
  - 5)Write about analog computers. (CO1)

**PART-B**

**3X8=24Marks**

**Instructions:**1) Answer all questions  
2) Each question carries 8 Marks  
3) Answer should be comprehensive and the criterion for valuation is the content but not the length of the answer.

6. a)Draw and explain block diagram of computer in detail (CO1)
- Or
- b) Explain various generation of computers (CO1)
7. a) Draw the flow chart to find biggest of three numbers (CO2)
- Or
- b) Write an algorithm to find the area of triangle when base and height are given.( CO2)
8. a) Explain any three external commands in detail (CO3)
- Or
- b) Explain components of a window. (CO3)

**BOARD DIPLOMA EXAMINATIONS  
DIPLOMA IN COMPUTER ENGINEERING  
MODEL PAPER – YEAR END EXAMINATION  
BASICS OF COMPUTER ENGINEERING**

**SCHEME: C-20  
MAX MARKS:80**

**SUBJ CODE: CM-105  
TIME: 3HOURS**

**PART-A**

10X3=30Marks

*Note: Answer all questions*

- |   |       |
|---|-------|
| 1. Define terms Hardware and Software.                              | (CO1) |
| 2. State the importance of binary system usage in Digital Computers | (CO1) |
| 3. Define algorithm   | (CO2) |
| 4. State the different steps involved in problem solving            | (CO2) |
| 5. List the features of Windows desktop                             | (CO3) |
| 6. State the meaning of a file and folder                           | (CO3) |
| 7. What is intranet?  | (CO5) |
| 8. List various browsers  | (CO5) |
| 9. List the features of Machine Learning                            | (CO6) |
| 10. List the sources of big data                                    | (CO6) |

**PART-B**

**5x8=40Marks**

*Note: Answer all questions*

- |   |       |
|---|-------|
| 11. A.Explain the generations of computers?   | (CO1) |
| OR  |       |
| 11.B i) State the use of storage devices used in a Computer.  | (CO1) |
| ii) State the importance of cache memory.   | (CO1) |
| 12. A.Differentiate algorithm and flowchart with suitable examples?   | (CO2) |
| OR  |       |
| 12.B. Explain in detail the characteristics of an algorithm.  | (CO2) |
| 13.A.Explain about atleast 10 Internal Commands and 5 External Commands.                                    | (CO3) |
| OR  |       |
| 13.B. Explain the procedure for changing resolution, color, appearance, screensaver options of the display. | (CO3) |
| 14.A.Explain 3 types of Software in detail.   | (CO4) |
| OR  |       |
| 14.B.Explain Internet Security.   | (CO5) |
| 15.A.Explain the characteristics of Big data.   | (CO6) |
| OR  |       |
| 15.B.Explain in detail about Penetrate testing.   | (CO6) |

**PART-C1X10=10Marks**

- |   |       |
|---|-------|
| 16. "There is no recursive function without terminating condition" Justify your answer. | (CO2) |
|---|-------|

Course code	Course Title	No. of Periods/Weeks	Total No. of periods	Marks for FA	Marks for SA
CM-106	Programming in C	5	150	20	80

S.No.	Chapter/Unit Title	No.of Periods	CO's Mapped
1.	Introduction to C Language	20	CO1,CO2
2.	Input and output statements, Operators and Expressions In C.	25	CO1,CO2,CO3
3.	Decision making, iterative and other control statements	40	CO1,CO2,CO3
4.	Arrays and strings, Structures and Unions	30	CO1,CO2,CO3
5.	User defined functions, pointers, file management and pre-processor directives.	35	CO1,CO2,CO3,CO4,CO5
<b>Total Periods</b>		<b>150</b>	

<b>Course Objectives</b>	Upon completion of the course the student shall be able to
	<ol style="list-style-type: none"> <li>1. Relate basics of programming language constructs using C Language</li> <li>2. Classify and implement data types, derived data types, pointers, files, statements</li> <li>3. Analyse and develop effective modular programming</li> <li>4. Construct mathematical, logical and scientific problems and real time applications using C-language</li> </ol>

<b>Course Outcomes</b>	Upon completion of the course the student shall be able to		
	CO1	CM-106.1	Develop, compile and debug programs using C- fundamentals and different programming statements in C language.
	CO2	CM-106.2	Use various operations using primary and derived data types inC.
	CO3	CM-106.3	Analyse programs using predefined functions, modules and recursive techniques
	CO4	CM-106.4	Write scientific and logical programs using pointers, file pointers
	CO5	CM-106.5	Develop programs using information passing



### CO-PO/PSO Matrix:

CO NO.	PO1	PO2	PO3	PO4	PO5	PO6	PO7	PSO1	PSO2	PSO3
CM-106.1	3		2	2				3	2	
CM-106.2				2				3	3	
CM-106.3		2	3	3				3	1	2
CM-106.4	3		1	1	2			3	2	2
CM-106.5			2	2		2	2	3	2	3
Average	3	2	2	2	2	2	2	3	2	2.3

**3=Strongly mapped , 2=moderately mapped, 1=slightly mapped**

#### Learning Objectives

##### **1.0 Introduction to C-Language**

- 1.1 Describe the history of C-language,structure of C-language program
- 1.2 Describe the programming style of Clanguage
- 1.3 Explain the steps involved in Editing, compiling ,executing and debugging of Cprogram
- 1.4 Describe character set, C-Tokens, Keywords, Identifiers, Constants, Variables
- 1.5 Define DataType
- 1.6 Classify Data Types and explain them with examples.
- 1.7 Explain declaration of constants and variables
- 1.8 Explain initializing values to variables in declaration
- 1.9 Explain about user defined data types with a simple program
- 1.10 Explain the usage of type qualifiers

##### **2.0 Input and output statements, Operators and ExpressionsinC**

- 2.1 Explain the importance of Pre-processor Directive#include
- 2.2 Illustrate
  - 2.2.1 Reading a character usinggetch(),getche() and getchar()
  - 2.2.2 writing a character usingputch(), putchar()
  - 2.2.3 Formatted input usingscanf()& write sample programs using it.
  - 2.2.4 Formatted output usingprintf()& write sample programs using it.
- 2.3 Explain character functions
- 2.4 Define an operator, an expression
- 2.5 Explain
  - 2.5.1 Various arithmetic operators and explain the evaluation of arithmetic expressions with example.
  - 2.5.2 Various relational operators and discuss evaluation of relational expressions
  - 2.5.3 Various logical operators and discuss evaluation of logical expressions
- 2.6 Explain the difference between unary and binary operators
- 2.7 Describe various assignment operators, increment and decrement operators
- 2.8 Illustrate nested assignment
- 2.9 Explain conditional operators with an example
- 2.10 Explain
  - 2.10.1 Bit-wise operators and explain each with an example
  - 2.10.2 Special operators with examples
  - 2.10.3 Precedence and Associativity of operators

- 2.11 Describe evaluation of compound expression
- 2.12 Illustrate type conversion techniques
- 2.13 Write sample programs by using all the operators
  
- 3.0 Decision making, iterative and other control statements**
- 3.1 Explain decision making statements and its need in programming
- 3.2 Explain
  - 3.2.1 Simple if and if-else statement with syntax and sample program
  - 3.2.2 Nested if..else statements with syntax and sample program
  - 3.2.3 if-else-if ladder with syntax and sample program
  - 3.2.4 switch statement with syntax and sample program
- 3.3 State the importance of break statement with switch and illustrate
- 3.4 Compare
  - 3.4.1 Conditional operator with if-else statement
  - 3.4.2 if-else with switch statement
- 3.5 Define looping or iteration
- 3.6 List and explain iterative statements with syntax and examples
- 3.7 Compare different loop statements
- 3.8 What is nested loop and illustrate.
- 3.9 Explain the usage of goto, break and continue statements with loop statements
- 3.10 Differentiate break and continue statements.
- 3.11 Define structured programming.
- 4.0 Arrays, strings, Structures and Unions**
- 4.1 Define Array
- 4.2 Describe
  - 4.2.1 Declaration and initialization of One Dimensional (1D) Array with syntax and sample programs.
  - 4.2.2 Accessing the elements in 1D-Array with sample programs.
  - 4.2.3 Reordering an array in ascending order.
- 4.3 Explain declaration and initialization and usage of two Dimensional (2D)Arrays.
- 4.4 Illustrate the concept of arrays with sample programs on matrix addition, subtraction and matrix multiplication
- 4.5 Define String
- 4.6 Describe
  - 4.6.1 Declare and initialize of String variables.
  - 4.6.2 gets() and puts()
  - 4.6.3 Reading and displaying of strings from terminal with sample programs.
  - 4.6.4 Explain about various String handling functions with sample programs.
- 4.7 Explain Character arithmetic.
- 4.8 Define a structure.
- 4.9 Explain
  - 4.10 Initializing structure, Declaring structure, Declaring Structure Variables.
  - 4.11 Accessing of the structure members
  - 4.12 Structure assignment.
  - 4.13 How to find size of a structure.
  - 4.14 Nested structureconcept.
  - 4.15 Structures containing arrays
  - 4.16 Array of structures
- 4.17 Define Union, declare, initialize and use of union.
- 4.18 Distinguish between Structures and Unions
- 4.19 Write sample programs for all the concepts of structures and unions
- 5.0 User defined functions, pointers, file management and preprocessor directives**

- 5.1 Explain
  - 5.1.1 Need of user defined functions
  - 5.1.2 Advantages of the functions
  - 5.1.3 Elements of function
  - 5.1.4 Return values and their types
- 5.2 Define a functioncall, function prototype
- 5.3 Explain
  - 5.3.1 Function declaration in programs
  - 5.3.2 Functions with no arguments and no return values with sample programs
  - 5.3.3 Functions with arguments with no return values with sample programs
  - 5.3.4 Functions with arguments with return values with sample programs
  - 5.3.5 Functions with no arguments with return values with sample programs
  - 5.3.6 Functions that return multiple values with sample programs
  - 5.3.7 Recursion with sample programs
  - 5.3.8 Passing arrays to functions with sample programs
  - 5.3.9 Structure as function arguments and structures as function values.
  - 5.3.10 Structures containing pointers.
  - 5.3.11 Self referential structures with examples.
  - 5.3.12 Storage classes-auto, register, static, extern
  - 5.3.13 Scope, visibility and lifetime of variables in functions
- 5.4 Differentiate Local and Externalvariables
- 5.5 Define Globalvariable
- 5.6 Discuss passing the global variables as parameters using sampleprograms
- 5.7 Explain
  - 5.7.1 Declaration and initialization of Pointers.
  - 5.7.2 Accessing the address of a variable using &operator
  - 5.7.3 Accessing the value of a variable through pointer
  - 5.7.4 Pointer Arithmetic
  - 5.7.5 Precedence of address and de-referencingoperators.
  - 5.7.6 Relationship between arrays and pointers.
  - 5.7.7 Accessing array elements using pointers
  - 5.7.8 Pointers as functionarguments
  - 5.7.9 Pointer arrays withexamples.
- 5.8 Differentiate between address and de-referencingoperators.
- 5.9 Explain
  - 5.9.1 Dynamic memory management functions withexamples.
  - 5.9.2 Structures containingpointers.
  - 5.9.3 Pointer tostructure.
  - 5.9.4 Self referential structures withexamples.
- 5.10 Explain
  - 5.10.1 Files and how to declare file pointer to afile
  - 5.10.2 Illustrate the concept of file opening using variousmodes
  - 5.10.3 Illustrate the concept of closing of afile
  - 5.10.4 Illustrate the concept of Input / Output operations on afile
  - 5.10.5 Illustrate the concept of random accessingfiles
  - 5.10.6 Explain different file handling functions
  - 5.10.7 ExplainPre-processor directives
  - 5.10.8 State Need of pre-processor directives.
- 5.11 Write Simple programs using pre-processor directives.

### COURSE CONTENT

1. **Introduction to C Language:** History of C language - importance of C Define language - structure of C language - programming style of C language - steps involved in executing the C program-Character set - C Tokens - Keywords and Identifiers- Constants and Variables - Data Types and classification - declaration of constants and variables-initializing values to variables-user defined data types-usage of type qualifiers.
2. **Input and output statements, Operators and Expressions in C:**importance of Pre-processor #include-reading and writing asingle character functions- formatted input and output statements-operators-classification of operators-operator precedence and associativity-expressions and expression evaluation-type conversion techniques.
3. **Understand Decisionmaking, iterative and other control statements:**simple if, if-else, if else ladder, nested if-else-switch statement - else if, nested if , else if ladder, switchstatements-Classification of various loop statements- while statement – do.. while statement ram - for loop statement - nesting of loops- Comparisons of different loop statements –goto statement-break and continue statements –concept of structuredprogramming
4. **Understand Arrays and strings , basics of Structures and Unions:** Arrays -One Dimensional Arrays – array programs -two Dimensional Arrays- programs on matrix - Strings – String handling functions - Structure- Array of structures - Nested structures- pointer to structure Self referential structures - Union and illustrate use of a union – difference between Structures and Union
5. **Understand User defined functions, basics of pointers, file management and pre-processor directives:** Function – user defined functions – Advantages - Recursion concept - parameter passing –storage classes - scope, visibility and lifetime of variables in functions- Local and External variables -Global variable- - Pointer - Differentiate address and de-referencing operators - Pointer Arithmetic- precedence of address and de- referencing operators - - Relationship between Arrays and Pointers - Pointers as Function Arguments - Dynamic memory management-
6. Files - file pointers - file opening in various modes - Concept of closing of a file –operations on files - Need of Pre-processor directives - Various Pre-processor directives- Macros – Command line arguments

### REFERENCE BOOKS

1	Programming inANSI C	E.Balaguruswamy	TataMcGrawHill
2	Programming withC	Gottfried	Tata McGraw Hill
3	C Thecomplete Reference	Schildt	Tata McGrawHill

S.No.	Chapter/Unit title	No.of periods	Weightage Allocatd	Marks Wise Distribution of Weightage				Question wise Distribution of Weightage				CO's Mapped
				R	U	Ap	An	R	U	Ap	An	
1	Introduction to C Language	20	14	6	8			2	1			CO1,CO2
2	Input and output statements, Operators and Expressions in C	25	14		6	8	*		2	1	*	CO1,CO2,C3
3	Decision making, iterative and other control statements	40	14		6	8	*		2	1	*	CO1,CO2,CO3
4	Arrays and strings, Structures and Unions	30	14	3	3	8	*	1	1	1	*	CO1,CO2,CO3
5	User defined functions, pointers, file management and pre-processor directives	35	14	3	3	8	*	1	1	1	*	CO1,CO2,CO3,CO4, CO5
	<b>Total *</b>	<b>150</b>	<b>70 +10(*)</b>	<b>12</b>	<b>26</b>	<b>32</b>	<b>10*</b>	<b>4</b>	<b>7</b>	<b>4</b>	<b>1</b>	CO1,CO2,CO3,CO4

Note: Part-C: 10 marks single analytical question may be chosen from any one of starred chapters.

**Table specifying the scope of syllabus to be covered for unit tests**

Unit Test	Learning outcomes to be covered
Unit test-1	From 1.1 to 2.13
Unit test-2	From 3.1 to 4.6
Unit test-3	From 4.7 to 5.12

**MODEL PAPER  
PROGRAMMING IN C  
UNIT TEST-1**

**SCHEME: C-20  
MAX MARKS:40**

**SUBJ CODE:CM-106  
TIME: 90 MINUTES**

**PART-A**

**16Marks**

**Instructions:**1) Answer all questions  
2) First question carries 4marks, and each question of remaining carries 3marks

1. a) Int is a Data type in C language.(True/False) (CO1)
- b) 'a' is an example for \_\_\_\_\_ constant. (CO1)
- c) scanf() is used for \_\_\_\_\_ . (CO2)
- d) Which one of the following is a Relational operator [ ] (CO2)  
    I) + II) - III) \* IV) >=
2. List any three data types of C language. (CO1)
3. Define a) Keyword b) Identifier c) Constant (CO1)
4. Write a sample program using Conditional operator? (CO2)
5. Distinguish between pre-increment and post-increment operators. (CO2)

**PART-B**

**3X8=24Marks**

**Instructions:**1) Answer all questions  
2) Each question carries 8 Marks  
3) Answer should be comprehensive and the criterion for valuation is the content but not the length of the answer

- 6.a) Write the C-Programming structure and explain each part of it (CO1)  
    (Or)
- b) Explain various generation of computers (CO1)
- 7.a) Explain Arithmetic, Relational, Logical operators with examples. (CO2)  
    (Or)
- b) Evaluate the following C-Expression and write the final value (CO2)  
     $X = ((2 + 6 / 2 + 3 * 6) - ((4 + 6) / 2 + 5) / 10) + 1) / 5.0$
8. a) Illustrate Type Conversion techniques in detail (CO2)  
    Or
- b) Write the C-program using formatted input and output functions. (CO2)

**DIPLOMA IN COMPUTER ENGINEERING  
MODEL PAPER - END EXAMINATION  
PROGRAMMING IN C**

**SCHEME: C-20**  
**MAX MARKS:80**  
**HOURS**

**SUBJ CODE:CM-106**  
**TIME: 3**

**PART-A**

**Note: Answer all questions. Each question carries 3 marks**

**10 X 3=30M**

- |     |   |     |
|-----|---|-----|
| 1.  | Define an identifier and write two valid identifiers                            | CO1 |
| 2.  | Write a short note on type qualifiers   | CO1 |
| 3.  | Write the syntax of formatted output statement                                  | CO1 |
| 4.  | Write a program to print the biggest of two numbers using conditional operators | CO3 |
| 5.  | Differentiate between break and continue  | CO3 |
| 6.  | What is nesting? Give an example.   | CO2 |
| 7.  | What is an array? How to declare an array?                                      | CO2 |
| 8.  | List any three string functions   | CO2 |
| 9.  | Define a pointer. Write the syntax to declare a pointer variable                | CO4 |
| 10. | State the importance of "void".   | CO4 |

**PART-B**

**Note: 1. Answer all the question and making use of internal choice.**

**2. Each question carries 8 marks**

**5 X 8=40M**

- 11(a). Write the C-Programming structure and explain each part of it . CO1  
OR
- 11(b). List and explain different data types supported by C-Language CO1
- 12(a). Explain all the operators supported by C-language with examples CO2  
OR
- 12(b). Evaluate the following C-Expression and write the final value CO2  
$$X = ((2 + 6 / 2 + 3 * 6) - ((4 + 6) / 2 + 5) / 10) + 1 / 5.0$$
- 13(a). Write a program to print the following pattern CO3  

```
1
  1  2  1
1  2  3  2  1
```

“ ” up to nth level

OR

13(b) Explain any four control statements in C-language. CO3

14(a). Write eight differences between structures and unions CO3  
(OR)

14(b). Write a C-program to input 3X4 matrix and print in the form of matrix CO3

15(a). Write a program to calculate the factorial of a function using recursive concept with the help of parameter passing and return value CO3 & CO5  
(OR)

15(b). Explain any four file handling functions. 2X4=8 CO4

**PART-C**

**Note: Answer the following question, this question carries 10 Marks 1 X10=10M**

16. "Is it possible to compile an assembly language program using C compiler" Justify. (CO3)

**ENGINEERING DRAWING**

**Subject Title** : **Engineering Drawing**  
**Subject Code** : **CM-107**  
**Periods/Week** : **06**  
**Periods Per Year** : **180**

**TIME SCHEDULE**

S.No	Major Topics	No. of Drawing plates	No. Of Periods	Marks to be awarded	Short Answer Questions	Essay type Questions
1	Importance of Engineering Drawing	--	01	-	-	-
2	Engineering Drawing Instruments	01	05	-	-	-
3	Free hand lettering & Numbering	01	06	05	1	-
4	Dimensioning Practice	01	09	05	1	-
5	Geometrical constructions	03	24	15	1	1
6	Projections of Points, Lines, Planes & Auxiliary Planes	03	21	05	1	
7	Projections of Solids	01	12	10		1
8	Sections of Solids	01	21	10	-	1
9	Orthographic Projections	01	30	10	-	1
10	Isometric Views	01	30	10	-	1
11	Development of surfaces	01	21	10	-	1
<b>Total</b>		<b>14</b>	<b>180</b>	<b>80</b>	<b>04</b>	<b>06</b>

**Course Objectives and Course Outcomes**



<b>Course Objectives</b>		Upon completion of the course the student shall able to understand the basic graphic skills and use them in preparation of engineering drawings, their reading and interpretation	
<b>Course Outcomes</b>	<b>CO1</b>	CM-107.1	Practice the use of engineering drawing instruments
	<b>CO2</b>	CM-107.2	Familiarise with the conventions to be followed in engineering drawing as per BIS
	<b>CO3</b>	CM -107.3	Construct the i) basic geometrical constructions ii) engineering curves
	<b>CO4</b>	CM -107.4	Visualise and draw the orthographic projections of i) Points ii) Lines iii) Regular Planes iv) Regular Solids V) Sections of Regular Solids
	<b>CO5</b>	CM -107.5	Visualise and draw the isometric views of machine components
	<b>CO6</b>	CM -107.6	Draw the developments of surfaces of regular solids and use them to make the components used in daily life

#### PO-CO Mapping

<b>Course Code : CM-107</b>	<b>Course Title: ENGINEERING DRAWING</b> <b>Number of Course Outcomes: 06</b>			<b>No. of Periods: 180</b>	
<b>POs</b>	<b>Mapped with CO No.</b>	<b>CO Periods addressing PO in Column 1</b>		<b>Level (1,2,3)</b>	<b>Remarks</b>
		<b>No</b>	<b>%</b>		
PO1	CO2, CO3, CO4, CO5, CO6	50	42	3	<b>&gt;40% Level 3 Highly addressed 25% to 40% Level 2 Moderately Addressed 5 to 25% Level 1 Low addressed &lt;5% Not addressed</b>
PO2	CO1, CO2, CO3, CO4, CO5, CO6	30	25	2	
PO3	CO1, CO2, CO3, CO4, CO5, CO6	30	25	2	
PO4					
PO5					
PO6					
PO7	CO1, CO2, CO3, CO4, CO5, CO6	10	08	1	

CM-107	PO1	PO2	PO3	PO4	PO5	PO6	PO7	PSO1	PSO2	PSO3
CO1	3	2	2				1	2	3	1
CO2	3	2	2				1	2	3	1
CO3	3	2	2				1	2	3	1
CO4	3	2	2				1	2	3	1
CO5	3	2	2				1	2	3	1
CO6	3	2	2				1	2	3	1

**3: High, 2: Moderate, 1: Low**

## LEARNING OUTCOMES

Upon completion of the course the student shall able to

### 1.0 Understand the basic concepts of Engineering Drawing

- 1.1 State the importance of drawing as an engineering communication medium
- 1.2 State the necessity of B.I.S. Code of practice for Engineering Drawing.
- 1.3 Explain the linkages between Engineering drawing and other subjects of Mechanical Engineering.

### 2.0 Use of Engineering Drawing Instruments

- 2.1 Select the correct instruments to draw the different lines / curves.
- 2.2 Use correct grade of pencil to draw different types of lines and for different purposes
- 2.3 Select and use appropriate scales for a given application.
- 2.4 Identify different drawing sheet sizes as per I.S. and Standard Lay- outs.
- 2.5 Prepare Title block as per B.I.S. Specifications.
- 2.6 Identify the steps to be taken to keep the drawing clean and tidy.  
Drawing Plate 1: (Having two exercises)

### 3.0 Write Free Hand Lettering and Numbers

- 3.1 Write titles using vertical lettering and numerals of 7mm, 10mm and 14mm height.
- 3.2 Write titles using sloping lettering and numerals of 7mm, 10mm and 14mm height.
- 3.3 Select suitable sizes of lettering for different layouts and applications.  
Drawing plate 2: (Having 5 to 6 exercises)

### 4.0 Understand Dimensioning Practice

- 4.1 Acquaint with the conventions, notations, rules and methods of dimensioning in engineering drawing as per the B.I.S.
- 4.2 Dimension a given drawing using standard notations and desired system of dimensioning.  
Drawing Plate 3: (Having 08 to10 exercises)

### 5.0 Apply Principles of Geometric Constructions

- 5.1 Practice the basic geometric constructions like i) dividing a line into equal parts  
ii) exterior and interior tangents to the given two circles  
iii) tangent arcs to two given lines and arcs
- 5.2 Draw any regular polygon using general method when i) side length is given  
ii) inscribing circle radius is given iii) describing circle radius is given
- 5.2 Draw the conics using general and special methods,
- 5.3 Draw the engineering curves like i) involute ii) cycloid iii) helix
- 5.4 Identify the applications of the above constructions in engineering practice.  
Drawing Plate -4: Having problems up to construction of polygon  
Drawing Plate -5: Having problems of construction of conics  
Drawing Plate -6: Having problems of construction of involute, cycloid and helix

## **6.0 Projections of points, lines, planes & auxiliary planes**

- 6.1 Explain the basic principles of the orthographic projections
- 6.2 Visualise and draw the projection of a point with respect to reference planes (HP&VP)
- 6.3 Visualise and draw the projections of straight lines with respect to two reference Planes (up to lines parallel to one plane and inclined to other plane)
- 6.4 Visualise and draw the projections of planes (up to planes perpendicular to one plane and inclined to other plane)
- 6.5 Identify the need of Auxiliary views for a given engineering drawing.
- 6.5 Draw the auxiliary views of a given engineering component .

Drawing Plate -7: Having problems up to projection of points and Lines (15 exercises)

Drawing Plate -8: Having problems of projection of planes (6 exercises)

Drawing Plate -9: Having problems on auxiliary planes (Having 4 exercises)

## **7.0 Draw the Projections of Solids**

- 7.1 Visualise and draw the projections of regular solids like Prisms, Pyramids, Cylinder, Cone...(up to axis of solids parallel to one plane and inclined to other plane)

Drawing plate No.10: Having problems of projection of solids (10 exercises)

## **8.0 Appreciate the need of Sectional Views**

- 8.1 Identify the need to draw sectional views.
- 8.2 Differentiate between true shape and apparent shape of section
- 8.3 Draw sectional views and true sections of regular solids by applying the principles of hatching.

Drawing Plate–11: Having problems of section of solids (6 exercises)

## **9.0 Apply principles of orthographic projection**

- 9.1 Draw the orthographic views of an object from its pictorial drawing.
- 9.2 Draw the minimum number of views needed to represent a given object fully.

Drawing Plate 12 : (Having 10 to 12 exercises)

## **10.0 Prepare pictorial drawings**

- 10.1 identify the need of pictorial drawings.
- 10.2 Differentiate between isometric scale and true scale.
- 10.3 Prepare Isometric views from the given orthographic drawings.

Drawing plate 13: (Having 10 to 12 exercises)

## **11.0 Interpret Development of surfaces of different solids**

- 11.1 State the need for preparing development drawing.
- 11.2 Draw the development of simple engineering objects and their truncations (cubes, prisms, cylinders, cones, pyramid)
- 11.3 Prepare development of surface of engineering components like  
i) funnel      ii) 90° elbow      iii) Tray

Drawing plate No. 14: (Having 05 exercises)

**Competencies and Key competencies to be achieved by the student**

<b>S.No</b>	<b>Major topic</b>	<b>Key Competency</b>
1.	Importance of Engineering Drawing	<ul style="list-style-type: none"> <li>• Explain the linkages between Engineering drawing and other subjects of study in Diploma course.</li> </ul>
2.	Engineering Drawing Instruments	<ul style="list-style-type: none"> <li>• Select the correct instruments to draw various entities in different orientation</li> </ul>
3.	Free hand lettering & Numbering	<ul style="list-style-type: none"> <li>• Write titles using sloping and vertical lettering and numerals as per B.I.S (Bureau of Indian standards)</li> </ul>
4.	Dimensioning Practice	<ul style="list-style-type: none"> <li>• Dimension a given drawing using standard notations and desired system of dimensioning</li> </ul>
5.	Geometrical construction	<ul style="list-style-type: none"> <li>• Construct ellipse, parabola, rectangular hyperbola, involute, cycloid and helix from the given data.</li> </ul>
6.	Projection of points, Lines, Planes & Solids	<ul style="list-style-type: none"> <li>• Draw the projections of points, straight lines, planes &amp; solids with respect to reference planes (HP&amp; VP)</li> </ul>
7.	Auxiliary views	<ul style="list-style-type: none"> <li>• Draw the auxiliary views of a given Engineering component</li> <li>• Differentiate between Auxiliary view and apparent view</li> </ul>
8.	Sections of Solids	<ul style="list-style-type: none"> <li>• Differentiate between true shape and apparent shape of section</li> <li>• Apply principles of hatching.</li> <li>• Draw simple sections of regular solids</li> </ul>
9.	Orthographic Projection	<ul style="list-style-type: none"> <li>• Draw the minimum number of views needed to represent a given object fully.</li> </ul>
10.	Isometric Views	<ul style="list-style-type: none"> <li>• Differentiate between isometric scale and true scale.</li> <li>• Draw the isometric views of given objects,.</li> </ul>
11.	Development of surfaces	<ul style="list-style-type: none"> <li>• Prepare development of Surface of regular solids and other components like i) funnel ii) 90° elbow iii) Tray</li> </ul>

## **COURSE CONTENTS:**

### **NOTES:**

- 1. B.I.S Specification should invariably be followed in all the topics.**
- 2. A-3 Size Drawing Sheets are to be used for all Drawing Practice Exercises.**

### **1.0 The importance of Engineering Drawing**

Explanation of the scope and objectives of the subject of Engineering Drawing Its importance as a graphic communication -Need for preparing drawing as per standards – SP-46 –1988 – Mention B.I.S - Role of drawing in -engineering education – Link between Engineering drawing and other subjects of study.

### **2.0 Engineering drawing Instruments**

Classifications: Basic Tools, tools for drawing straight lines, tools for curved lines, tools for measuring distances and special tools like mini drafter & drafting machine – Mentioning of names under each classification and their brief description -Scales: Recommended scales reduced & enlarged -Lines: Types of lines, selection of line thickness - Selection of Pencils -Sheet Sizes: A0, A1, A2, A3, A4, A5, Layout of drawing sheets in respect of A0, A1, A3 sizes, Sizes of the Title block and its contents - Care and maintenance of Drawing Sheet,

### **3.0 Free hand lettering & numbering**

Importance of lettering – Types of lettering -Guide Lines for Lettering  
Practicing of letters & numbers of given sizes (7mm, 10mm and 14mm)  
Advantages of single stroke or simple style of lettering - Use of lettering stencils

### **4.0 Dimensioning practice**

Purpose of engineering Drawing, Need of B.I.S code in dimensioning -Shape

description of an Engineering object -Definition of Dimensioning size description -Location of features, surface finish, fully dimensioned Drawing -Notations or tools of dimensioning, dimension line extension line, leader line, arrows, symbols, number and notes, rules to be observed in the use of above tools -Placing dimensions: Aligned system and unidirectional system ( SP-46-1988)-Arrangement of dimensions Chain, parallel, combined progressive, and dimensioning by co-ordinate methods-The rules for dimensioning standard, features “Circles (holes) arcs, angles, tapers, chamfers, and dimension of narrow spaces.

### **5.0 Geometric Construction**

**Division of a line:** to divide a straight line into given number of equal parts

**Construction of tangent lines:** to draw interior and exterior tangents to two circles of given radii and centre distance

**Construction of tangent arcs:**

i) To draw tangent arc of given radius to touch two lines inclined at given angle (acute, right and obtuse angles).

ii)Tangent arc of given radius touching a circle or an arc and a given line.

iii)Tangent arcs of radius R, touching two given circles internally and externally.

**Construction of polygon:** construction of any regular polygon by general method for given side length, inscribing circle radius and describing/superscribing circle radius

**Conics:** Explanation of Ellipse, Parabola, Hyperbola, as sections of a double cone and a loci of a moving point, Eccentricity of above curves – Their Engg. Applications viz., Projectiles, reflectors, Cooling Towers, P-V Diagram of a Hyperbolic process - Construction of any conic section of given

eccentricity by general method - Construction of ellipse by concentric circles method, Oblong Method and Arcs of circles method - Construction of parabola by rectangle method and Tangent method - Construction of rectangular hyperbola

**General Curves:** Involute, Cycloid and Helix, explanations as locus of a moving point, their engineering application, viz., Gear tooth profile, screw threads, springs etc. – their construction

## 6.0 Projection of points, lines and planes & auxiliary views

Classification of projections, Observer, Object, Projectors, Projection, Reference Planes, Reference Line, Various angles of projections –Differences between first angle and third angle projections

### Projections of points in different quadrants

#### Projections of straight line -

- (a) Parallel to both the planes.
- (b) Perpendicular to one of the planes.
- (c) Inclined to one plane and parallel to other planes

### Projections of regular planes

- (a) Plane parallel to one of the reference planes
- (b) Plane perpendicular to HP and inclined to VP and vice versa.

#### Auxiliary views

Need for drawing auxiliary views -Explanation of the basic principles of drawing an auxiliary views explanation of reference plane and auxiliary plane - Partial auxiliary view.

## 7.0 Projections of regular solids

- (a) Axis perpendicular to one of the planes
- (b) Axis parallel to VP and inclined to HP and vice versa.

## 8.0 Sections of Solids

Need for drawing sectional views – what is a sectional view - Hatching – Section of regular solids inclined to one plane and parallel to other plane

## 9.0 Orthographic Projections

Meaning of orthographic projection - Using a viewing box and a model – Number of views obtained on the six faces of the box, - Legible sketches of only 3 views for describing object - Concept of front view, top view, and side view sketching these views for a number of engg objects - Explanation of first angle projection. – Positioning of three views in First angle projection - Projection of points as a means of locating the corners of the surfaces of an object – Use of miter line in drawing a third view when other two views are given -Method of representing hidden lines -Selection of minimum number of views to describe an object fully.

## 10.0 Pictorial Drawings

Brief description of different types of pictorial drawing viz., Isometric, oblique, and perspective and their use - Isometric drawings: Isometric axes, angle between them, meaning of visual distortion in dimensions - Need for an isometric scale, difference between Isometric scale, and true scale - difference between Isometric view and Isometric projection - Isometric and non-Isometric lines -Isometric drawing of common features like rectangles, circular - shapes, non-isometric lines – Drawing the isometric views for the given orthographic projections -Use of box / offset method

## 11.0 Development of Surfaces

Need for preparing development of surface with reference to sheet metal work-Concept of true length of a line with reference to its orthographic projection when the line is (i) parallel to the plane of projection (ii) inclined to one principal and parallel to the other -Development of simple solids like cubes, prisms, cylinders, cones, pyramid and truncation of these solids-Types of development: Parallel line and radial line development -Procedure of drawing development of funnels, 90° elbow pipes, Tray.

### REFERENCE BOOKS

Engineering Graphics by P I Varghese – ( McGraw-hill)

Engineering Drawing by Basant Agarwal & C.M Agarwal - ( McGraw-hill)

Engineering Drawing by N.D.Bhatt.

T.S.M. & S.S.M on “ Technical Drawing” prepared by T.T.T.I., Madras.

SP-46-1998 – Bureau of Indian Standards.

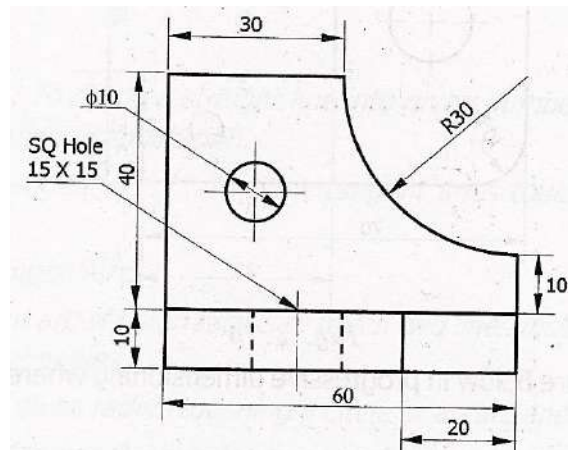
**BOARD DIPLOMA EXAMINATIONS  
MODEL QUESTION PAPER  
DME – I-YEAR  
ENGINEERING DRAWING**

- Instructions:**
01. All the dimensions are in mm
  02. Use first angle projections only
  03. Due weightage will be given for the dimensioning and neatness

**PART – A****05 x 04=20**

01. Answer all the questions
02. Each question carries FIVE marks

01. Write the following in single stroke capital vertical lettering of size 10mm  
ORTHOGRAPHIC PROJECTIONS
02. Redraw the given fig. and dimension it according to SP-46:1988. Assume suitable scale



03. Draw internal common tangents to two unequal circles of radii 26mm and 20mm. The distance between the circles is 75mm.
04. Draw the projections of a regular pentagon of side length 40 mm inclined to the H.P. by  $30^\circ$  and perpendicular to V.P. using auxiliary plane method

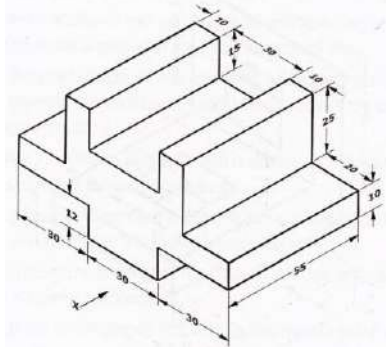
**PART – B****10 X 04 = 40**

01. Answer any FOUR of the following questions
02. Each question carries TEN marks

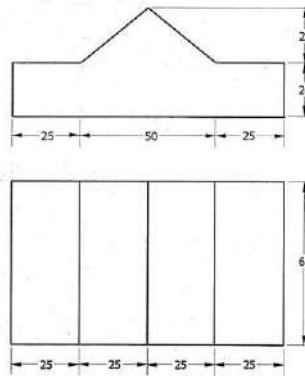
05. Draw the involute of a circle of diameter 30 mm and also draw a tangent to the curve at a distance of 60 mm from the centre of the circle.
06. A right circular cone of height 80 mm and base radius 60 mm is resting in the H.P. on one of its generators and its axis is parallel to V.P. Draw the projections of the solid.
07. A regular hexagonal prism of height 80 mm and base side 40 mm is resting in the H.P. on its base. It is cut by an auxiliary inclined plane of  $60^\circ$  inclination passing through the axis at a distance of 30 mm from the top base. Draw the sectional views of the solid and the true section.



08. A pentagonal pyramid of height 80 mm and base side 40 mm is resting in the H.P. on its base such that one of the sides of the base is perpendicular to the V.P. It is cut by a section plane perpendicular to the V.P. and inclined to the H.P. by  $60^\circ$  and passing through the axis at a distance of 25 mm from the base. Draw the development of the lateral surface of the truncated pyramid.
09. Draw the front view, top view and left side view of the object shown in the fig.



10. Draw the isometric view of the component whose orthographic projections are given below



**Curriculum Gaps identified in this subject:**

1. Chapters 8, 10 and 11 are not required and they may be removed
2. The remaining chapter 1 to 7 & 9 are required and they can be taught only in 90 periods (out of 180 periods allotted)
3. Instead of chapters 8,10 & 11, Basic 2D and 3D animation practical course may be included for remaining 90 Periods(3 Periods per week)

Course Code	Course title	No of periods/week	Total no of periods	Marks for FA	Marks for SA
CM-108	Programming in C Lab	06	180	40	60

S No	Chapter/ Unit Title	No. of Periods	COs Mapped
1.	Fundamentals and Input/Output statements	15	CO1,CO2
2.	Control statements	45	CO1,CO2,CO4
3.	Arrays, structures and unions	60	CO1,CO2,,CO3,CO4
4.	User defined functions, storage classes, pointers, files and macros	60	CO1,CO2,CO3,CO4,CO5, CO6
	<b>Total</b>	<b>180</b>	

<b>COURSE OBJECTIVES</b>	<p><b>Upon completion of the course the student shall be able to</b></p> <ol style="list-style-type: none"> <li>1. Edit, compile and debug execution of C-Programs</li> <li>2. Learn the syntax of all the statements, keywords, user defied identifiers and usage of writing statements in C-Program.</li> <li>3. Evaluate all the expressions using different primary types of data, derived data, operators and with their precedence,</li> <li>4. Write C-programs using I/O statements, decision making statements.</li> <li>5. Write structured and modular C-programs</li> <li>6. Write C-programs on text files using different file operating modes and file pointers.</li> <li>7. Write C-programs to implement dynamic memory allocation using pointer concepts</li> </ol>
--------------------------	---

Course Outcomes		Upon completion of the course the student shall be able to
CO 1	CM-108.1	Perform Edit, compile and debug and execution of C-Programs
CO 2	CM-108.2	Develop programs using different predefined functions, keywords, user defined identifiers
CO 3	CM-108.3	Write different expressions using available C-operators and valid data supported by C-language
CO 4	CM-108.4	Develop C-programs using control statements, array's, structures, unions, files
CO 5	CM-108.5	Develop C-programs using user defined functions and recursion
CO 6	CM-108.6	Develop C-programs to implement dynamic memory concept

## CO-PO/PSO MATRIX

CO NO.	PO1	PO2	PO3	PO4	PO5	PO6	PO7	PSO1	PSO2	PSO3
CM-108.1	2	2			1			2		
CM-108.2	2	3		2					2	2
CM-108.3					2			2		3
CM-108.4	2		3	2	3	3	2		2	2
CM-108.5	2			2	3	2			2	2
CM-108.6				2	3				2	2
Average	2	2.5	3	2	2.4	2.5	2	2	2	2.2

3=Strongly mapped , 2=moderately mapped, 1=slightly mapped

### **LEARNING OUTCOMES:**

#### **Fundamentals and Input / Output statements**

1. Exercise on structure of C Program
2. Exercise on Keywords and identifiers
3. Exercise on constants and variables
4. Execution of simple C program
5. Exercise on operators and expressions
6. Exercise on special operators
7. Exercise on input and output of characters
8. Exercise on formatted input and output
9. Exercise on escape sequence characters

#### **Control statements**

(Note: Every statement must be repeated with at least 5 different applications)

10. Exercise on simple if statement
11. Exercise on if..else statement
12. Exercise on if..else..if ladder statement
13. Exercise on switch statement
14. Exercise on conditional operator comparing with if-else statement
15. Exercise on while statement
16. Exercise on for statement
17. Exercise on do. While statement

#### **Arrays, structures and unions**

18. Exercise on one dimensional arrays
19. Exercise on two dimensional arrays
20. Exercise on strings
21. Exercise on structure
22. Exercise on union
23. Exercise on array of structures

#### **User defined functions, storage classes, pointers, files,and macros**

24. Exercise on user-defined function
25. Exercise on storage classes

26. Exercise on parameter passing techniques
27. Exercise on recursion
28. Exercise on pointers
29. Exercise on text files
30. Exercise on macros

**The competencies and key competencies to be achieved by the student**

S.No.	Name of the experiment	Objectives	Key Competencies
1	Exercise on structure of C program	For a given C program, identify the different building blocks	❖ Identify different building block in a C program
2	Exercise on Keywords and identifiers	For a given C program identify the keywords and identifiers	❖ Identify different keywords ❖ Check whether the keywords are in lowercase ❖ Differentiate identifiers and keywords
3	Exercise on constants and variables	For a given C program identify the constants and variables	❖ Identify the constants ❖ Identify the variables ❖ Declare variables with proper names ❖ Know the assignment of values to variables
4	Execution of simple C program	Execute a simple C program	❖ Acquaint with C program editing ❖ Compile the program ❖ Rectify the syntactical errors ❖ Execute the program
5	Exercise on operators and expressions	Write a C program that uses different arithmetic operators	❖ Identify different arithmetic operators ❖ Build arithmetic expressions ❖ Identify the priorities of operators ❖ Evaluate arithmetic expression ❖ Compile the program ❖ Rectify the syntactical errors ❖ Execute the program ❖ Check the output for its correctness
6	Exercise on special operators	Write a C program that uses special operators	❖ Identify different special operators ❖ Build expressions using special operators ❖ Compile the program ❖ Rectify the syntactical errors ❖ Execute the program ❖ Check the output for its correctness
7	Exercise on input and output of characters	Write a C program for reading and writing characters	❖ Know the use of get char() function ❖ Know the use of put char() function ❖ Compile the program ❖ Rectify the syntactical errors ❖ Execute the program ❖ Check whether the correct output is

			printed for the given input
8	Exercise on formatted input and output	Write a C program using formatted input and formatted output	<ul style="list-style-type: none"> <li>❖ Know the use of format string for different types of data in scan f() function</li> <li>❖ Know the use of format string for different types of data in print f() function</li> <li>❖ Check whether the data is read in correct format</li> <li>❖ Check whether the data is printed in correct format</li> </ul>
9	Exercise on Escape Sequence Characters	Write a C program using Escape Sequence Characters	<ul style="list-style-type: none"> <li>❖ Know the use of Escape sequence characters</li> <li>❖ Use the Escape sequence characters</li> <li>❖ Check whether the data is read in correct format</li> <li>❖ Rectify the syntax errors</li> <li>❖ Check the output for correctness</li> </ul>
10	Exercise on simple if statement	Write a C program using simple if statement	<ul style="list-style-type: none"> <li>❖ Build a relational expression</li> <li>❖ Use the if statement for decision making</li> <li>❖ Rectify the syntax errors</li> <li>❖ Check the output for correctness</li> </ul>
11	Exercise on if..else statement	Write a C program using if..else statement	<ul style="list-style-type: none"> <li>❖ Build a relational expression</li> <li>❖ Use the if..else statement for decision making</li> <li>❖ Rectify the syntax errors</li> <li>❖ Check the output for correctness</li> </ul>
12	Exercise on else..if ladder statement	Write a C program using else..if ladder statement	<ul style="list-style-type: none"> <li>❖ Use else..if ladder statements with correct syntax</li> <li>❖ Rectify the syntax errors</li> <li>❖ Debug logical errors</li> <li>❖ Check the output for correctness</li> </ul>
13	Exercise on switch statement	Write a C program using switch statement	<ul style="list-style-type: none"> <li>❖ Use switch statement with correct syntax</li> <li>❖ Identify the differences between switch and else..if ladder</li> <li>❖ Rectify the syntax errors</li> <li>❖ Debug logical errors</li> <li>❖ Check the output for correctness</li> </ul>
14	Exercise on conditional operator	Write a C program using ( ? : ) conditional operator	<ul style="list-style-type: none"> <li>❖ Build the three expressions for conditional operator</li> <li>❖ Use conditional operator with correct syntax</li> <li>❖ Rectify the syntax errors</li> <li>❖ Debug logical errors</li> <li>❖ Differentiate conditional operator and if..else statement</li> </ul>

15	Exercise on while statement	Write a C program using while statement	<ul style="list-style-type: none"> <li>❖ Build the termination condition for looping</li> <li>❖ Use while statement with correct syntax</li> <li>❖ Check whether correct number of iterations are performed by the while loop</li> <li>❖ Rectify the syntax errors</li> <li>❖ Debug logical errors</li> </ul>
16	Exercise on <b>for</b> statement	Write a C program using for statement	<ul style="list-style-type: none"> <li>❖ Build the initial, increment and termination conditions for looping</li> <li>❖ Use for statement with correct syntax</li> <li>❖ Rectify the syntax errors</li> <li>❖ Debug logical errors</li> <li>❖ Check whether correct number of iterations are performed by the <b>for</b> loop</li> <li>❖ Differentiate <b>for</b> and <b>while</b> statements</li> </ul>
17	Exercise on <b>do..while</b> statement	Write a C program using do statement	<ul style="list-style-type: none"> <li>❖ Build the termination condition for looping</li> <li>❖ Use do statement with correct syntax</li> <li>❖ Rectify the syntax errors</li> <li>❖ Debug logical errors</li> <li>❖ Check whether correct number of iterations are performed by the while loop</li> <li>❖ Differentiate <b>do..while</b>, <b>while</b> and <b>for</b> statements</li> </ul>
18	Exercise on one dimensional arrays	Write a C program to create and access one dimensional array	<ul style="list-style-type: none"> <li>❖ Create a one dimensional array with correct syntax</li> <li>❖ Store elements into array</li> <li>❖ Read elements from array</li> <li>❖ Validate boundary conditions while accessing elements of array</li> <li>❖ Rectify the syntax errors</li> <li>❖ Debug logical errors</li> <li>❖ Check for the correctness of output for the given input</li> </ul>
19	Exercise on two dimensional arrays	Write a C program to create and access two dimensional array	<ul style="list-style-type: none"> <li>❖ Create a two dimensional array with correct syntax</li> <li>❖ Store elements into array</li> <li>❖ Read elements from array</li> <li>❖ Validate boundary conditions while accessing elements of array</li> <li>❖ Rectify the syntax errors</li> <li>❖ Debug logical errors</li> <li>❖ Check for the correctness of output for the given input</li> </ul>

20	Exercise on strings	Write a C program for reading and writing strings	<ul style="list-style-type: none"> <li>❖ Declare and initialize string variables</li> <li>❖ Read strings from keyboard</li> <li>❖ Print strings to screen</li> </ul>
21	Exercise on structure	Write a C program using structure	<ul style="list-style-type: none"> <li>❖ Define a structure with correct syntax</li> <li>❖ Identify different members of a structure</li> <li>❖ Declare a structure variable</li> <li>❖ Access different members of structure</li> <li>❖ Observe the size of the structure</li> <li>❖ Rectify the syntax errors</li> <li>❖ Debug logical errors</li> <li>❖ Check for the correctness of output for the given input</li> </ul>
22	Exercise on union	Write a C program using union	<ul style="list-style-type: none"> <li>❖ Define a union with correct syntax</li> <li>❖ Identify different members of a union</li> <li>❖ Declare a union variable</li> <li>❖ Access different members of union</li> <li>❖ Observe the size of the union</li> <li>❖ Rectify the syntax errors</li> <li>❖ Debug logical errors</li> <li>❖ Check for the correctness of output for the given input</li> </ul>
23	Exercise on array of structures	Write a C program to create an array of structures and store and retrieve data from that array	<ul style="list-style-type: none"> <li>❖ Define a structure with correct syntax</li> <li>❖ Identify different members of a structure</li> <li>❖ Declare a structure variable</li> <li>❖ Create an array of structure</li> <li>❖ Access individual element of the array of structure</li> <li>❖ Access different members of structure</li> <li>❖ Rectify the syntax errors</li> <li>❖ Debug logical errors</li> <li>❖ Check for the correctness of output for the given input</li> </ul>
24	Exercise on user-defined function	Write a C program to define and call user-defined functions	<ul style="list-style-type: none"> <li>❖ Identify the different parts of function declaration</li> <li>❖ Define function with correct syntax</li> <li>❖ Classify functions based on its parameters and return types</li> <li>❖ Identify parameters passed</li> <li>❖ Identify parameter passing method used</li> <li>❖ Identify return value</li> <li>❖ Rectify the syntax errors</li> <li>❖ Debug logical errors</li> <li>❖ Check for the correctness of output for the given input</li> </ul>

25	Exercise on storage classes	Write a C program using different storage classes	<ul style="list-style-type: none"> <li>❖ Know the use of different storage classes</li> <li>❖ Use the different storage classes</li> <li>❖ Check whether the scope of variables is correctly defined or not.</li> <li>❖ Rectify the syntax errors</li> <li>❖ Check the output for correctness</li> </ul>
26	Exercise on parameter passing techniques	Write a C program using parameter passing techniques	<ul style="list-style-type: none"> <li>❖ Know the use of parameter passing</li> <li>❖ Use the different parameter passing techniques</li> <li>❖ Check whether the parameters passed correctly or not.</li> <li>❖ Rectify the syntax errors</li> <li>❖ Check the output for correctness</li> </ul>
27	Exercise on recursion	Write a C program using recursion	<ul style="list-style-type: none"> <li>❖ Identify where recursive call is made in the function</li> <li>❖ Validate the termination condition</li> <li>❖ Rectify the syntax errors</li> <li>❖ Debug logical errors</li> <li>❖ Check for the correctness of output for the given input</li> </ul>
28	Exercise on pointers	Write a C program using pointer data type	<ul style="list-style-type: none"> <li>❖ Declare pointer variable</li> <li>❖ Initialize pointer variable</li> <li>❖ Access a variable through its pointer</li> <li>❖ Rectify the syntax errors</li> <li>❖ Debug logical errors</li> <li>❖ Check for the correctness of output for the given input</li> </ul>
29	Exercise on text files	Write a C program to create a text file, write data into it and read data from it	<ul style="list-style-type: none"> <li>❖ Define a file pointer</li> <li>❖ Use the various modes of file opening</li> <li>❖ Close the file</li> <li>❖ Write text into file</li> <li>❖ Read text from file</li> <li>❖ Rectify the syntax errors</li> <li>❖ Debug logical errors</li> <li>❖ Check for the correctness of output for the given input</li> </ul>
30	Exercise on macros	Write a C program using macros	<ul style="list-style-type: none"> <li>❖ Know the need of macros</li> <li>❖ Use the macros/pre processor directives</li> <li>❖ Rectify the syntax errors</li> <li>❖ Debug logical errors</li> <li>❖ Check for the correctness of output for the given input</li> </ul>



**PHYSICS LAB PRACTICE  
(C-20 CURRIUCULUM COMMON TO ALL BRANCHES)**

SubjectTitle : Physics Laboratory  
 SubjectCode : CM-109 A  
 Periodsperweek : 03  
 Totalperiodsperyear : 45

**TIMESCHEDULE**

S.No	Name of the Experiment	No.of
1.	Hands on practice on Vernier Calipers	03
2.	Hands on practice on Screw gauge	03
3.	Verification of Parallelogram law of forces and Triangle law of forces	03
4.	Simple pendulum	03
5.	Velocity of sound in air – (Resonance method)	03
6.	Focal length and Focal power of convex lens (Separate & Combination)	03
7.	Refractive index of solid using travelling microscope	03
8.	Boyle’s law verification	03
9.	Meter bridge	03
10.	Mapping of magnet lines of force and locate null points	03
	<b>DEMONSTRATION EXPERIMENTS</b>	
11.	Surface tension of liquid using travelling microscope	03
12.	Coefficient of viscosity by capillary method	03
	Revision	06
	Test	03
	<b>Total:</b>	<b>45</b>

**Objectives:**

**Upon completion of the course the student shall be able to**

- 1.0 Practice with Vernier calipers to determine the volumes and areas of a cylinder and sphere and their comparison etc .
- 2.0 Practice with Screw gauge to determine thickness of a glass plate, cross sectional area of a wire and volumes of sphere and also their comparison etc
- 3.0 Verify the parallelogram law and Triangle law
- 4.0 Determine the value of acceleration due to gravity using Simple Pendulum
- 5.0 Determine the velocity of sound in air at room temperature and its value at zero degree centigrade
- 6.0 Calculate the Focal length and focal power of convex lenses using distant object method , U-V method , U-V graph and  $1/U - 1/V$  graph methods and their comparison.
- 7.0 Determine the refractive index of a solid using travelling microscope
- 8.0 Verify the Boyle’s law employing a Quill tube
- 9.0 Determine the specific resistance of material of a wire using Meter Bridge
- 10.0 Drawing magnetic lines of force under N-S and N-N methods and locate null points
- 11.0 Determine the surface tension of a liquid using travelling Microscope (**Demo**)
- 12.0 Determine the viscosity of a liquid using capillary method (**Demo**)

### Competencies and Key competencies to be achieved by the student

Name of the Experiment (No of Periods)	Competencies	Key competencies
1. Hands on practice on Vernier Calipers(03)	<ul style="list-style-type: none"> <li>• Find the Least count</li> <li>• Fix the specimen in posit</li> <li>• Read the scales</li> <li>• Calculate the physical quantities of given object</li> </ul>	<ul style="list-style-type: none"> <li>• Read the scales</li> <li>• Calculate the requisite physical quantities of given objects</li> </ul>
2. Hands on practice on Screw gauge(03)	<ul style="list-style-type: none"> <li>• Find the Least count</li> <li>• Fix the specimen in posit</li> <li>• Read the scales</li> <li>• Calculate thickness of glass place and cross section of wire and other quantities</li> </ul>	<ul style="list-style-type: none"> <li>• Read the scales</li> <li>• Calculate thickness of given glass plate</li> <li>• Calculate cross section of wire and other quantities</li> </ul>
3. Verification of Parallelogram law of forces and Triangle law of forces(03)	<ul style="list-style-type: none"> <li>• Fix suitable weights</li> <li>• Note the positions of threads on drawing sheet</li> <li>• Find the angle at equilibrium point</li> <li>• Construct parallelogram</li> <li>• Compare the measured diagonal</li> <li>• Construct triangle</li> <li>• Find the length of sides</li> <li>• Compare the ratios</li> </ul>	<ul style="list-style-type: none"> <li>• Find the angle at equilibrium point</li> <li>• Constructing parallelogram</li> <li>• Construct triangle</li> <li>• Compare the ratios of force and length</li> </ul>
4. Simple pendulum(03)	<ul style="list-style-type: none"> <li>• Fix the simple pendulum to the stand</li> <li>• Adjust the length of pendulum</li> <li>• Find the time for number of oscillations</li> <li>• Find the time period</li> <li>• Calculate the acceleration due to gravity</li> <li>• Draw I-T and I-T<sup>2</sup> graph</li> </ul>	<ul style="list-style-type: none"> <li>• Find the time for number of oscillations</li> <li>• Find the time period</li> <li>• Calculate the acceleration due to gravity</li> <li>• Draw I-T and I-T<sup>2</sup> graph</li> </ul>

<p>5. Velocity of sound in air –Resonance method (03)</p>	<ul style="list-style-type: none"> <li>• Arrange the resonance apparatus</li> <li>• Adjust the reservoir level for booming sound</li> <li>• Find the first and second resonating lengths</li> <li>• Calculate velocity of sound</li> </ul>	<ul style="list-style-type: none"> <li>• Adjust the reservoir level</li> <li>• Find the first and second resonating lengths</li> <li>• Calculate velocity of sound at room temperature</li> <li>• Calculate velocity of sound at 0° C</li> </ul>
<p>6. Focal length and Focal power of convex lens (Separate &amp;Combination) (03)</p>	<ul style="list-style-type: none"> <li>• Fix the object distance</li> <li>• Find the Image distance</li> <li>• Calculate the focal length and power of convex lens and combination of convex lenses</li> <li>• Draw u-v and 1/u – 1/v graphs</li> </ul>	<ul style="list-style-type: none"> <li>• Calculate the focal length and power of convex lens</li> <li>• Draw u-v and 1/u – 1/v graphs</li> </ul>
<p>7. Refractive index of solid using traveling microscope(03)</p>	<ul style="list-style-type: none"> <li>• Find the least count of vernier on microscope</li> <li>• Place the graph paper below microscope</li> <li>• Read the scale</li> <li>• Calculate the refractive index of glass slab</li> </ul>	<ul style="list-style-type: none"> <li>• Read the scale</li> <li>• Calculate the refractive index of glass slab</li> </ul>
<p>8. Boyle’s law verification (03)</p>	<ul style="list-style-type: none"> <li>• Note the atmospheric pressure</li> <li>• Fix the quill tube to retort stand</li> <li>• Find the length of air column</li> <li>• Find the pressure of enclosed air</li> <li>• Find and compare the</li> </ul>	<ul style="list-style-type: none"> <li>• Find the length of air column</li> <li>• Find the pressure of enclosed air</li> <li>• Find the value P x l</li> </ul>
<p>9. . Meter bridge(03)</p>	<ul style="list-style-type: none"> <li>• Make the circuit connections</li> <li>• Find the balancing length</li> <li>• Calculate unknown resistance</li> <li>• Find the radius of wire</li> <li>• Calculate the specific resistance</li> </ul>	<ul style="list-style-type: none"> <li>• Find the balancing length</li> <li>• Calculate unknown resistance</li> <li>• Calculate the specific resistance</li> </ul>

10. Mapping of magnet lines of force(03)	<ul style="list-style-type: none"> <li>• Draw magnetic meridian</li> <li>• Placed the bar magnet in NN and NS directions</li> <li>• Draw magnetic lines of force</li> <li>• Locate the neutral points along equatorial and axial lines</li> </ul>	<ul style="list-style-type: none"> <li>• Draw magnetic lines of force</li> <li>• Locate the neutral points</li> </ul>
11. Surface tension of liquid using traveling microscope(03)	<ul style="list-style-type: none"> <li>• Find the least count of vernier on microscope</li> <li>• Focus the microscope to the lower meniscus &amp; bent pin</li> <li>• Read the scale</li> <li>• Calculate height of liquid rise</li> <li>• Calculate the surface tension of water</li> </ul>	<ul style="list-style-type: none"> <li>• Read the scale</li> <li>• Calculate height of liquid rise</li> <li>• Calculate the surface tension of water</li> </ul>
12.. Coefficient of viscosity by capillary method(03)	<ul style="list-style-type: none"> <li>• Find the least count of vernier</li> <li>• Fix the capillary tube to aspiratory bottle</li> <li>• Find the mass of collected water</li> <li>• Find the pressure head</li> <li>• Calculate rate of volume of</li> </ul>	<ul style="list-style-type: none"> <li>• Find the pressure head</li> <li>• Calculate rate of volume of liquid collected</li> <li>• Find the radius of capillary tube</li> <li>• Calculate the viscosity of water</li> </ul>

**Scheme of Valuation for end Lab Practical Examination :**

- A. Writing Aim, Apparatus, Formula, Graph, Precautions carries 10 (Ten) Marks
- B. For Drawing the table, taking Readings, Calculation work, Drawing the graph, finding result carries 15 (Fifteen) Marks
- C. Viva Voice 05 (Five) Marks

**Total**

**30 (Thirty) Marks**

**CHEMISTRYLAB PRACTICE****(C-20 curriculum common to all Branches)****Subject Title : Chemistry Laboratory****Subject Code : CM -109-B****Periods per week : 03****Total periods per year : 45**

CO1	Operate and practice volumetric apparatus and preparation of standard solution
CO2	Evaluate and judge the neutralization point in acid base titration
CO3	Evaluate the end point of reduction and oxidation reaction
CO4	Judge the stable end point of complex formation, stable precipitation
CO5	Judge operate and demonstrate and perform precise operations with instrument for investigation of water pollution parameters

**TIMESCHEDULE**

<b>S.No</b>	<b>Name of the Experiment</b>	<b>No.ofPeriods</b>	<b>Mapped with COs</b>
1.	a) Recognition of chemical substances and solutions used in the laboratory by senses. b) Familiarization of methods for Volumetric analysis	03	CO1
2.	Preparation of Std $\text{Na}_2\text{CO}_3$ and making solutions of different	03	CO1
3.	Estimation of HCl solution using Std. $\text{Na}_2\text{CO}_3$ solution	03	CO2
4.	Estimation of NaOH using Std. HCl solution	03	CO2
5.	Estimation of $\text{H}_2\text{SO}_4$ using Std. NaOH solution	03	CO2
6.	Estimation of Mohr's Salt using Std. $\text{KMnO}_4$	03	CO3
7.	Determination of acidity of water sample	03	CO2
8.	Determination of alkalinity of water sample	03	CO2
9.	Determination of total hardness of water using Std. EDTA	03	CO4
10.	Estimation of Chlorides present in water sample	03	CO4
11.	Estimation of Dissolved Oxygen (D.O) in water sample	03	CO5
12.	Determination of pH using pHmeter	03	CO5
13.	Determination of conductivity of water and adjusting ionic	03	CO5
14.	Determination of turbidity of water	03	CO5
15.	Estimation of total solids present in water sample	03	CO5
	<b>Total:</b>	<b>45</b>	

## Objectives:

### Upon completion of the course the student shall be able to

- 1.0 Practice volumetric measurements (using pipettes, measuring jars, volumetric flask, burettes) and gravimetric measurements (using different types of balances), making dilutions, etc To identify the chemical compounds and solutions by senses.
- 2.0 Practice making standard solutions with pre weighed salts and to make solutions of desired dilutions using appropriate techniques.
- 3.0 Conduct titrations adopting standard procedures and using Std.  $\text{Na}_2\text{CO}_3$  solution for estimation of HCl
- 4.0 Conduct titrations adopting standard procedures and using Std. HCl solution for estimation of NaOH
- 5.0 Conduct titrations adopting standard procedures and using Std. NaOH solution for estimation of  $\text{H}_2\text{SO}_4$
- 6.0 Conduct titrations adopting standard procedures and using Std.  $\text{KMnO}_4$  solution for estimation of Mohr's Salt
- 7.0 Conduct titrations adopting standard procedures to determine the acidity of given samples of water (One ground water and one surface / tap water, and rain water if available)
- 8.0 Conduct titrations adopting standard procedures to determine the alkalinity of given samples of water (One ground water and one surface / tap water)
- 9.0 Conduct titrations adopting standard procedures to determine the total hardness of given samples of water (One ground water and one surface / tap water) using Std. EDTA solution
- 10.0 Conduct titrations adopting standard procedures to determine the chlorides present in the given samples of water and wastewater (One ground water and one surface / tap water)
- 11.0 Conduct the test using titrometric / electrometric method to determine Dissolved Oxygen (D.O) in given water samples (One sample from closed container and one from open container / tap water)
- 12.0 Conduct the test on given samples of water / solutions (like soft drinks, sewage, etc.) to determine their pH using standard pH meter
- 13.0 Conduct the test on given samples of water / solutions
  - a) To determine conductivity
  - b) To adjust the ionic strength of the sample to the desired value
- 14.0 Conduct the test on given samples of solutions (coloured and non coloured) to determine their turbidity in NTU
- 15.0 To determine the total solids present in given samples of water (One ground water and one surface / tap water)

### Competencies and Key competencies to be achieved by the student

Name of the Experiment (No of Periods)	Competencies	Key competencies
Familiarization of methods for Volumetric analysis. Recognition of chemical substances And solutions(03)	-	--
Preparation of Std Na <sub>2</sub> CO <sub>3</sub> and making solutions of different dilution(03)	<ul style="list-style-type: none"> <li>▪ Weighing the salt to the accuracy of .01 mg</li> <li>▪ Measuring the water with volumetric flask, measuring jar, volumetric pipette and graduated pipette</li> <li>▪ Making appropriate dilutions</li> </ul>	<ul style="list-style-type: none"> <li>▪ Weighing the salt to the accuracy of .01 mg</li> <li>▪ Measuring the water with volumetric flask, measuring jar, volumetric pipette and graduated pipette</li> <li>▪ Making appropriate dilutions</li> </ul>
Name of the Experiment (No of Periods)	Competencies	Key competencies
Estimation of HCl solution using Std. Na <sub>2</sub> CO <sub>3</sub> solution (03)	<ul style="list-style-type: none"> <li>▪ Cleaning the glassware and rinsing with appropriate solutions</li> <li>▪ Making standard solutions</li> <li>▪ Measuring accurately the standard solutions and titrants</li> <li>▪ Filling the burette with titrant</li> <li>▪ Fixing the burette to the stand</li> <li>▪ Effectively Controlling the flow of the titrant</li> <li>▪ Identifying the end point</li> <li>▪ Making accurate observations</li> <li>▪ Calculating the results</li> </ul>	<ul style="list-style-type: none"> <li>▪ Making standard solutions</li> <li>▪ Measuring accurately the standard solutions and titrants</li> <li>▪ Effectively Controlling the flow of the titrant</li> <li>▪ Identifying the end point</li> <li>▪ Making accurate observations</li> </ul>
Estimation of NaOH using Std. HCl solution (03)		
Estimation of H <sub>2</sub> SO <sub>4</sub> usingStd. NaOH solution (03)		
Estimation of Mohr's Salt usingStd.KMnO <sub>4</sub> (03)		
Determination of acidity of water sample (03)		
Determination of alkalinity of water sample (03)		
Determination of total hardness of water using Std. EDTA solution (03)		
Estimation of Dissolved Oxygen(D.O)in water sample (By titration method) (03)		

Estimation of Dissolved Oxygen(D.O)in water sample (By electrometric method) (03)	<ul style="list-style-type: none"> <li>▪ Familiarize with instrument</li> <li>▪ Choose appropriate 'Mode' / 'Unit'</li> <li>▪ Prepare standard solutions / buffers, etc.</li> <li>▪ Standardize the instrument with appropriate standard solutions</li> <li>▪ Plot the standard curve</li> <li>▪ Make measurements accurately</li> <li>▪ Follow Safety precautions</li> </ul>	<ul style="list-style-type: none"> <li>▪ Prepare standard solutions / buffers, etc.</li> <li>▪ Standardize the instrument with appropriate standard solutions</li> <li>▪ Plot the standard curve</li> <li>▪ Make measurements accurately</li> </ul>
Determination of pH using pH meter (03)		
Determination of conductivity of water and adjusting ionic strength to required level (03)		
Determination of turbidity of water (03)		
<b>Name of the Experiment (No of Periods)</b>	<b>Competencies</b>	<b>Key competencies</b>
Estimation of total solids present in water sample (03)	<ul style="list-style-type: none"> <li>▪ Measuring the accurate volume and weight of sample</li> <li>▪ Filtering and air drying without losing any filtrate</li> <li>▪ Accurately weighing the filter paper, crucible and filtrate</li> <li>▪ Drying the crucible in an oven</li> </ul>	<ul style="list-style-type: none"> <li>▪ Measuring the accurate volume and weight of sample</li> <li>▪ Filtering and air drying without losing any filtrate</li> <li>▪ Accurately weighing the filter paper, crucible and filtrate</li> </ul>

#### SCHEME OF VALUATION

A) Writing Chemicals, apparatus ,principle and procedure	5M
B) Demonstrated competencies	20M
Making standard solutions	
Measuring accurately the standard solutions and titrants	
Effectively Controlling the flow of the titrant	
Identifying the end point	
Making accurate observations	
C) Viva-voce	5M
Total	30M



Course code	Course Title	No. of Periods/Weeks	Total No. of periods	Marks for FA	Marks for SA
CM-110 (common to all branches)	Computer Fundamentals Lab	3	90	40	60

**Time schedule:**

S.No.	Chapter/Unit Title	No. of sessions each of 3 periods duration	No.of Periods
1.	Computer hardware Basics	2	6
2.	Windows Operating System	2	6
3.	MS Word	8	24
4.	MS Excel	7	21
5.	MS PowerPoint	5	15
6.	Adobe Photoshop	6	18
<b>Total periods</b>		<b>30</b>	<b>90</b>

S.No.	Chapter/Unit Title	No.of Periods	CO's Mapped
1.	Computer hardware Basics	6	CO1
2.	Windows Operating System	6	CO1
3.	MS Word	24	CO2
4.	MS Excel	21	CO3
5.	MS PowerPoint	15	CO4
6.	Adobe Photoshop	18	CO5
<b>Total periods</b>		<b>90</b>	

<b>Course Objectives</b>	i)To know Hardware Basics ii)To familiarize operating systems iii)To use MS Office effectively to enable to students use these skills in future courses iv) To use Adobe Photoshop in image editing.
--------------------------	---

<b>Course Outcomes</b>	At the end of the course students will be able to		
	CO1	CM -110.1	Identify hardware and software components
	CO2	CM -110.2	Prepare documents with given specifications using word processing software
	CO3	CM -110.3	Use Spread sheet software to make calculation and to draw various graphs / charts.
	CO4	CM -110.4	Use Power point software to develop effective presentation for a given theme or topic.
	CO5	CM -110.5	Edit digital or scanned images using Photoshop

## **CO-PO/PSO MATRIX**

<b>CO NO.</b>	<b>PO1</b>	<b>PO2</b>	<b>PO3</b>	<b>PO4</b>	<b>PO5</b>	<b>PO6</b>	<b>PO7</b>	<b>PSO1</b>	<b>PSO2</b>	<b>PSO3</b>
CM-110.1	3	3	3	3	3	3	3	3	2	3
CM -110.2	3	3	3	3	3	3	3	3	2	3
CM -110.3	3	3	3	3	3	3	3	3	2	3
CM -110.4	3	3	3	3	3	3	3	3	2	3
CM -110.5	3	3	3	3	3	3	3	3	2	3
<b>Average</b>	<b>3</b>	<b>3</b>	<b>3</b>	<b>3</b>	<b>3</b>	<b>3</b>	<b>3</b>	<b>3</b>	<b>2</b>	<b>3</b>

3=Strongly mapped , 2=moderately mapped, 1=slightly mapped

### **Learning Outcomes:**

#### **I. Computer Hardware Basics**

1. a).To Familiarize with Computer system and hardware connections  
b).To Start and Shut down Computer correctly  
c).To check the software details of the computer
2. To check the hardware present in your computer

#### **II. Windows's operating system**

3. To Explore Windows Desktop
4. Working with Files and Folders
5. Windows Accessories: Calculator – Notepad – WordPad – MS Paint

#### **III. Practice with MS-WORD**

6. To familiarize with Ribbon layout of MS Word  
Home – Insert- Page layout – References – Review- View.
7. To practice Word Processing Basics
8. To practice Formatting techniques
9. To insert a table of required number of rows and columns
10. To insert Objects, Clipart and Hyperlinks
11. To use Mail Merge feature of MS Word
12. To use Equations and symbols features

#### **IV. Practice with MS-EXCEL**

13. To familiarize with MS-EXCEL layout
14. To access and enter data in the cells
15. To edit a spread sheet- Copy, Cut, Paste, and selecting Cells
16. To use built in functions and Formatting Data
17. To create Excel Functions, Filling Cells
18. To enter a Formula for automatic calculations
19. To sort and filter data in table.
20. To present data using Excel Graphs and Charts.
21. To develop lab reports of respective discipline.
22. To format a Worksheet in Excel, Page Setup and Print

#### **V. Practice with MS-POWERPOINT**

23. To familiarize with Ribbon layout features of PowerPoint 2007.
24. To create a simple PowerPoint Presentation
25. To set up a Master Slide in PowerPoint
26. To insert Text and Objects
27. To insert a Flow Charts
28. To insert a Table
29. To insert a Charts/Graphs
30. To insert video and audio
31. To practice Animating text and objects
32. To Review presentation

#### **VI. Practice with Adobe Photoshop**

33. To familiarize with standard toolbox
34. To edit a photograph.
35. To insert Borders around photograph.
36. To change Background of a Photograph.

37. To change colors of Photograph.

38. To prepare a cover page for the book in your subject area.

39. To adjust the brightness and contrast of the picture so that it gives an elegant look.

40. To type a word and apply the shadow emboss effects.

**Key competencies:**

<b>Expt No</b>	<b>Name of Experiment</b>	<b>Competencies</b>	<b>Key competencies</b>
1 (a).	To familiarize with Computer system and hardware connections	<ul style="list-style-type: none"> <li>a. Identify the parts of a Computer system: i). CPU ii). Mother Board iii) Monitor iv) CD/DVD Drive v) Power Switch vi) Start Button vii) Reset Button</li> <li>b. Identify and connect various peripherals</li> <li>c. Identify and connect the cables used with computer system</li> <li>d. Identify various ports on CPU and connect Keyboard &amp; Mouse</li> </ul>	Connect cables to external hardware and operate the computer
(b).	To Start and Shut down Computer correctly	<ul style="list-style-type: none"> <li>a. Log in using the password</li> <li>b. Start and shut down the computer</li> <li>c. Use Mouse and Key Board</li> </ul>	<ul style="list-style-type: none"> <li>a. Login and logout as per the standard procedure</li> <li>b. Operate mouse &amp; Key Board</li> </ul>
(c).	To Explore Windows Desktop	<ul style="list-style-type: none"> <li>a. Familiarize with Start Menu, Taskbar, Icons and Shortcuts</li> <li>b. Access application programs using Start menu, Task manager</li> <li>c. Use Help support</li> </ul>	<ul style="list-style-type: none"> <li>a. Access application programs using Start menu</li> <li>b. Use taskbar and Task manager</li> </ul>
2.	To check the software details of the computer	<ul style="list-style-type: none"> <li>a. Find the details of Operating System being used</li> <li>b. Find the details of Service Pack installed</li> </ul>	Access the properties of computer and find the details
3.	To check the hardware present in your computer	<ul style="list-style-type: none"> <li>a. Find the CPU name and clock speed</li> <li>b. Find the details of RAM and Hard disk present</li> <li>c. Access Device manager using</li> </ul>	<ul style="list-style-type: none"> <li>a. Access device manager and find the details</li> <li>b. Type /Navigate the correct path and</li> </ul>

		Control Panel and check the status of devices like mouse and key board d. Use My Computer to check the details of Hard drives and partitions e. Use the Taskbar	Select icon related to the details required
4.	Working with Files and Folders	a. Create folders and organizing files in different folders b. Use copy / paste move commands to organize files and folders	a. Create files and folders Rename , arrange and search for the required folder/file
	Working with Files and Folders Continued....	c. Arrange icons – name wise, size, type, Modified d. Search a file or folder and find its path e. Create shortcut to files and folders (in other folders) on Desktop f. Familiarize with the use of My Documents g. Familiarize with the use of Recycle Bin	b. Restore deleted files from Recycle bin
5.	To use Windows Accessories: Calculator – Notepad – WordPad – MS Paint	a. Familiarize with the use of Calculator b. Access Calculator using Run command c. Create Text Files using Notepad and WordPad and observe the difference in file size d. Use MS paint and create .jpeg, .bmp files using MS Paint	a. Use windows accessories and select correct text editor based on the situation. b. Use MS pain to create /Edit pictures and save in the required format.
6.	To familiarize with Ribbon layout of MS word. – Home – Insert- page layout- References-Review-View	a. Create/Open a document b. Use Save and Save as features c. Work on two Word documents simultaneously d. Choose correct Paper size and Printing options	a. Create a Document and name appropriately and save b. Set paper size and print options
7.	To practice Word Processing Basics	a. Typing text b. Keyboard usage c. Use mouse (Left click / Right click / Scroll) d. Use Keyboard shortcuts e. Use Find and Replace features in MS- word f. Use Undo and Redo Features g. Use spell check to correct Spellings and Grammar	a. Use key board and mouse to enter/edit text in the document. b. Use shortcuts c. Use spell check/ Grammar features for auto corrections.

8.	To practice Formatting techniques	<ul style="list-style-type: none"> <li>a. Formatting Text</li> <li>b. Formatting Paragraphs</li> <li>c. Setting Tabs</li> <li>d. Formatting Pages</li> <li>e. The Styles of Word</li> <li>f. Insert bullets and numbers</li> <li>g. Themes and Templates</li> <li>h. Insert page numbers, header and footer</li> </ul>	<ul style="list-style-type: none"> <li>a. Format Text and paragraphs and use various text styles.</li> <li>b. Use bullets and numbers to create lists</li> <li>c. Use Templates /Themes</li> <li>d. Insert page numbers date, headers and footers</li> </ul>
9.	To insert a table of required number of rows and columns	<ul style="list-style-type: none"> <li>a. Edit the table by adding the fields – Deleting rows and columns –inserting sub table – marking borders. Merging and splitting of cells in a Table</li> <li>b. Changing the background colour of the table</li> <li>c. Use table design tools</li> <li>d. Use auto fit – fixed row/ column height/length – Even distribution of rows / columns features</li> <li>e. Convert Text to table and Table to Text</li> <li>f. Use Sort feature of the Table to arrange data in ascending/descending order</li> </ul>	<ul style="list-style-type: none"> <li>a. Insert table in the word document and edit</li> <li>b. Use sort option for arranging data.</li> </ul>
10.	To Insert objects, clipart and Hyperlinks	<ul style="list-style-type: none"> <li>a. Create a 2-page document. &amp;Insert hyperlinks and t Bookmarks.</li> <li>b. Create an organization chart</li> <li>c. Practice examples like preparing an Examination schedule notice with a hyperlink to Exam schedule table.</li> </ul>	<ul style="list-style-type: none"> <li>a. Insert hyperlinks &amp;Bookmarks</li> <li>b. Create organization charts/flow charts</li> </ul>
11.	To Use Mail merge feature of MS Word	<ul style="list-style-type: none"> <li>a. Use mail merge to prepare individually addressed letters</li> <li>b. Use mail merge to print envelopes.</li> </ul>	Use Mail merge feature
12.	To use Equations and symbols features.	<ul style="list-style-type: none"> <li>a. Explore various symbols available in MS Word</li> <li>b. Insert a symbol in the text</li> <li>c. Insert mathematical equations in the document</li> </ul>	Enter Mathematical symbols and Equations in the word document
13.	To Practice with MS-EXCEL	<ul style="list-style-type: none"> <li>a. Open /create an MS Excel spreadsheet and familiarize with MS Excel 2007 layout like MS office Button-</li> </ul>	<ul style="list-style-type: none"> <li>a. Familiarize with excel layout and use</li> <li>b. Use various</li> </ul>

		b. Use Quick Access Toolbar-Title Bar- Ribbon-Worksheets-Formula Bar-Status Bar	features available in toolbar
14.	To access and Enter data in the cells	a. Move Around a Worksheets-Quick access -Select Cells b. Enter Data-Edit a Cell-Wrap Text-Delete a Cell Entry-Save a File-Close Excel	a. Access and select the required cells by various addressing methods b. Enter data and edit
15.	To edit spread sheet Copy, Cut, Paste, and selecting cells	a. Insert and Delete Columns and Rows-Create Borders-Merge and Center b. Add Background Color-Change the Font, Font Size, and Font Color c. Format text with Bold, Italicize, and Underline-Work with Long Text-Change a Column's Width	Format the excel sheet
16.	To use built in functions and Formatting Data	a. Perform Mathematical Calculations verify -AutoSum b. Perform Automatic Calculations-Align Cell Entries	Use built in functions in Excel
17.	To enter a Formula for automatic calculations	a. Enter formula b. Use Cell References in Formulae c. Use Automatic updating function of Excel Formulae d. Use Mathematical Operators in Formulae e. Use Excel Error Message and Help	Enter formula for automatic calculations
18.	To Create Excel Functions, Filling Cells	a. Use Reference Operators b. Work with sum, Sum if , Count and Count If Functions c. Fill Cells Automatically	a. Create Excel sheets involving cross references and equations b. Use the advanced functions for conditional calculations
19.	To sort and filter data in table	a. Sort data in multiple columns b. Sort data in a row c. Sort data using Custom order d. Filter data in work sheet	a. Refine the data in a worksheet and keep it organized b. Narrow a worksheet by selecting specific choice

20.	To Practice Excel Graphs and Charts	<ul style="list-style-type: none"> <li>a. Produce an Excel Pie Chart</li> <li>b. Produce</li> <li>c. Excel Column Chart</li> </ul>	<ul style="list-style-type: none"> <li>a. Use data in Excel sheet to Create technical charts and graphs Produce Excel Line Graph</li> <li>b. Produce a Pictograph in Excel</li> </ul>
21.	To develop lab reports of respective discipline	Create Lab reports using MS Word and Excel	<ul style="list-style-type: none"> <li>a. Insert Practical subject name in Header and page numbers in Footer</li> </ul>
22.	To format a Worksheet in Excel, page setup and print	<ul style="list-style-type: none"> <li>a. Shade alternate rows of data</li> <li>b. Add currency and percentage symbols</li> <li>c. Change height of a row and width of a column</li> <li>d. Change data alignment</li> <li>e. Insert Headers and Footers</li> <li>f. Set Print Options and Print</li> </ul>	<ul style="list-style-type: none"> <li>a. Format Excel sheet</li> <li>b. Insert headers &amp; footers and print</li> </ul>
23.	To familiarize with Ribbon layout & features of PowerPoint 2007.	<p>Use various options in PowerPoint</p> <ul style="list-style-type: none"> <li>a. Home</li> <li>b. Insert</li> <li>c. Design</li> <li>d. Animation</li> <li>e. Slideshow</li> <li>f. View</li> <li>g. Review</li> </ul>	Access required options in the tool bar
24.	To create a simple PowerPoint Presentation	<ul style="list-style-type: none"> <li>a. Insert a New Slide into PowerPoint</li> <li>b. Change the Title of a PowerPoint Slide</li> <li>c. PowerPoint Bullets</li> <li>d. Add an Image to a PowerPoint Slide</li> <li>e. Add a Textbox to a PowerPoint slide</li> </ul>	<ul style="list-style-type: none"> <li>a. Create simple PowerPoint presentation with photographs/ClipArt and text boxes</li> <li>b. Use bullets option</li> </ul>
25.	To Set up a Master Slide in PowerPoint and add notes	<ul style="list-style-type: none"> <li>a. Create a PowerPoint Design Template</li> <li>b. Modify themes</li> <li>c. Switch between Slide master view and Normal view</li> <li>d. Format a Design Template Master Slide</li> <li>e. Add a Title Slide to a Design Template</li> <li>f. The Slide Show Footer in PowerPoint</li> <li>g. Add Notes to a PowerPoint Presentation</li> </ul>	<ul style="list-style-type: none"> <li>a. Setup Master slide and format</li> <li>b. Add notes</li> </ul>



26.	To Insert Text and Objects	<ul style="list-style-type: none"> <li>a. Insert Text and objects</li> <li>b. Set Indents and line spacing</li> <li>c. Insert pictures/ clipart</li> <li>d. Format pictures</li> <li>e. Insert shapes and word art</li> <li>f. Use 3d features</li> <li>g. Arrange objects</li> </ul>	<p>Insert Text and Objects</p> <p>Use 3d features</p>
27.	To insert a Flow Chart / Organizational Charts	<ul style="list-style-type: none"> <li>a. Create a Flow Chart in PowerPoint</li> <li>b. Group and Ungroup Shapes</li> <li>c. Use smart art</li> </ul>	Create organizational charts and flow charts using smart art
28.	To insert a Table	<ul style="list-style-type: none"> <li>a. PowerPoint Tables</li> <li>b. Format the Table Data</li> <li>c. Change Table Background</li> <li>d. Format Series Legend</li> </ul>	Insert tables and format
29.	To insert a Charts/Graphs	<ul style="list-style-type: none"> <li>a. Create 3D Bar Graphs in PowerPoint</li> <li>b. Work with the PowerPoint Datasheet</li> <li>c. Format a PowerPoint Chart Axis</li> <li>d. Format the Bars of a Chart</li> <li>e. Create PowerPoint Pie Charts</li> <li>f. Use Pie Chart Segments</li> <li>g. Create 2D Bar Charts in PowerPoint</li> <li>h. Format the 2D Chart</li> <li>e. Format a Chart Background</li> </ul>	Create charts and Bar graphs, Pie Charts and format.
30.	To Insert audio & video, Hyperlinks in a slide  Add narration to the slide	<ul style="list-style-type: none"> <li>a. Insert sounds in the slide and hide the audio symbol</li> <li>b. Adjust the volume in the settings</li> <li>c. Insert video file in the format supported by PowerPoint in a slide</li> <li>d. Use automatic and on click options</li> <li>e. Add narration to the slide</li> <li>f. Insert Hyperlinks</li> </ul>	<ul style="list-style-type: none"> <li>a. Insert Sounds and Video in appropriate format.</li> <li>b. Add narration to the slide</li> <li>c. Use hyperlinks to switch to different slides and files</li> </ul>
31.	To Practice Animation effects	<ul style="list-style-type: none"> <li>a. Apply transitions to slides</li> <li>b. To explore and practice special animation effects like Entrance, Emphasis, Motion Paths &amp;Exit</li> </ul>	Add animation effects

32.	Reviewing presentation	<ul style="list-style-type: none"> <li>a. Checking spelling and grammar</li> <li>b. Previewing presentation</li> <li>c. Set up slide show</li> <li>d. Set up resolution</li> <li>e. Exercise with Rehearse Timings feature in PowerPoint</li> <li>f. Use PowerPoint Pen Tool during slide show</li> <li>g. Saving</li> <li>h. Printing presentation <ul style="list-style-type: none"> <li>(a) Slides</li> <li>(b) Hand-out</li> </ul> </li> </ul>	<ul style="list-style-type: none"> <li>a. Use Spell check and Grammar feature</li> <li>b. Setup slide show</li> <li>c. Add timing to the slides</li> <li>d. Setup automatic slide show</li> </ul>
33	To familiarize with standard toolbox	<ul style="list-style-type: none"> <li>a. Open Adobe Photoshop</li> <li>b. Use various tools such as <ul style="list-style-type: none"> <li>i. The Layer Tool</li> <li>ii. The Color &amp; Swatches Tool</li> <li>iii. Custom Fonts &amp; The Text Tool</li> <li>iv. Brush Tool</li> <li>v. The Select Tool</li> <li>vi. The Move Tool</li> <li>vii. The Zoom Tool</li> <li>viii. The Eraser</li> <li>ix. The Crop Tool</li> <li>x. The Fill Tool</li> </ul> </li> </ul>	Open a photograph and save it in Photoshop
34	To edit a photograph	<ul style="list-style-type: none"> <li>a. Use the Crop tool</li> <li>b. Trim edges</li> <li>c. Change the shape and size of a photo</li> <li>d. Remove the part of photograph including graphics and text</li> </ul>	a. Able to edit image by using corresponding tools.
35	To insert Borders around photograph	<ul style="list-style-type: none"> <li>a. Start with a single background layer</li> <li>b. Bring the background forward</li> <li>c. Enlarge the canvas</li> <li>d. Create a border color</li> <li>e. Send the border color to the back</li> <li>f. Experiment with different colors</li> </ul>	Able to create a border or frame around an image to add visual interest to a photo

36	To change Background of a Photograph	<ul style="list-style-type: none"> <li>a. open the foreground and background image</li> <li>b. Use different selection tools to paint over the image</li> <li>c. Copy background image and paste it on the foreground.</li> <li>d. Resize and/or drag the background image to reposition.</li> <li>e. In the Layers panel, drag the background layer below the foreground image layer.</li> </ul>	Able to swap background elements using the Select and Mask tool and layers.
37	To change colors of Photograph	<ul style="list-style-type: none"> <li>a. Change colors using: <ul style="list-style-type: none"> <li>i) Color Replacement tool</li> <li>ii) Hue/Saturation adjustment layer tool</li> </ul> </li> </ul>	Able to control color saturation
38	To prepare a cover page for the book in subject area	<ul style="list-style-type: none"> <li>a. open a file with height 500 and width 400 for the cover page.</li> <li>b. apply two different colors to work area by dividing it into two parts using Rectangle tool.</li> <li>c. Copy any picture and place it on work area → resize it using free transform tool.</li> <li>d. Type text and apply color and style</li> <li>e. Apply effects using blended options</li> </ul>	Able to prepare cover page for the book
39	To adjust the brightness and contrast of picture to give an elegant look	<ul style="list-style-type: none"> <li>a. open a file.</li> <li>b. Go to image → adjustments → Brightness/Contrast.</li> <li>c. adjust the brightness and contrast.</li> <li>d. save the image.</li> </ul>	Able to control brightness/contrast.
40	To type a word and apply the shadow emboss effects	<ul style="list-style-type: none"> <li>a. open a file</li> <li>b. Select the text tool and type text.</li> <li>c. Select the typed text go to layer → layer style → blended option → drop shadow, inner shadow, bevel and emboss → contour → satin → gradient overlay</li> <li>d. Save the image.</li> </ul>	Able to apply shadow emboss effects

**Table specifying the scope of syllabus to be covered for unit tests**

<b>Unit Test</b>	<b>Learning outcomes to be covered</b>
Unit test-1	From 1 to 8
Unit test-2	From 9 to 22
Unit test-3	From 23 to 40

## I Year Internal Lab Examination

### UNIT TEST - I MODEL QUESTION PAPER COMPUTER FUNDAMENTALS LAB

**SCHEME: C-20**  
**MAX MARKS:40**

**SUBJ CODE: CM-110**  
**Time:90Min**

---

1. Identify the internal hardware components of a PC and assemble them.
2. Identify the external components or peripherals of a PC and connect them.
3. Identify the components on motherboard.
4. Perform the process of placing processor on CPU slot.
5. Perform the process of removing and placing the RAM in the corresponding slot.
6. Identify the CMOS battery and test whether it is working it or not.
7. Find details of following:
  - a) Operating System being used.
  - b) Processor name
  - c) RAM
  - d) Hard disk
8. Create a folder by your name, search a file or folder and find its path.
9. Draw the National Flag using MS Paint.
10. Create a word document that contains TEN names of your classmates (boys-5 & girls-5) and perform the following tasks:
  - a) Save the document to your desktop.
  - b) Sort the names in each list alphabetically.
  - c) Set line spacing to 1.15.
  - d) Use bullet points for the names in both lists separately.

## I Year Internal Lab Examination

### UNIT TEST - II MODEL QUESTION PAPER COMPUTER FUNDAMENTALS LAB

**SCHEME: C-20**  
**MARKS:40**

**SUBJ CODE:CM-110 MAX**  
**Time:90Min**

1. Write individually addressed letters to your friends about the Republic Day celebration using Mail Merge.
2. Create a Word document about your college and insert page numbers in footer and College Name in header.
3. Create your class time table using Tables in MS Word.
4. Create a 2-page document about your College& insert hyperlinks for courses offered in the college and insert Bookmarks next to College Name.
5. Write individually addressed letters to your friends (at least 5 members) to intimate the External Examination time table using Mail Merge.
6. Write an equation  $\frac{(x+y)^2}{(x-y)^2} = \frac{x^2+2xy+y^2}{x^2-2xy+y^2}$  in MS word.
7. Create the organizational structure of your college in MS Word.
8. Create a spreadsheet by totaling marks of 3 or more subjects, then calculate percentage and hence find grade based on boundary conditions of FIVE students:  
Grades O >= 90%, A >=80%, B >=70%, C >=60%, D >=50%, E >=40%, F <40%
9. Create a Excel spreadsheet for the following data, making sure that the cell marked with Category (A1) is pasted in cell A1 in the spreadsheet and perform the questions below.

Category (A1)	Product Name	Quantity	Inventory	Price per Unit	Total Price
Office Supplies	Binder	2	20	12.99	25.98
Office Supplies	Pencil	20	20	0.99	
Electronics	Samsung 4K Smart TV	1	5	399.00	
Electronics	Bluetooth Speakers	4	5	44.49	
Computers	Lenovo X230 12in Laptop	2	2	279.90	

- a). Change the format of the "Total Price" column to "Currency" format.
  - b) Calculate Total Price by writing formula.
  - c) Turn on filtering for the table.
  - d) Sort the table by column "Category" from A to Z.
10. Create a spreadsheet to calculate Cumulative monthly attendance for a period of Three months.

## I Year Internal Lab Examination

### UNIT TEST - III MODEL QUESTION PAPER COMPUTER FUNDAMENTALS LAB

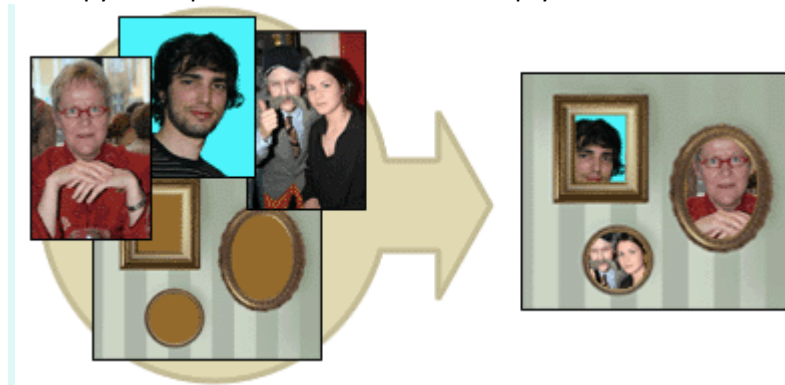
SCHEME: C-20

SUBJ CODE: CM-110

**MAX MARKS:40**

**Time:90Min**

1. Create a PowerPoint Presentation about your College in 5 slides only.
2. Create a PowerPoint Presentation on Computer Hardware in minimum 5 slides.
3. Create a PowerPoint Presentation on Computer Fundamentals with *Entrance, Emphasis* effects in minimum 5 slides.
4. Create a PowerPoint Presentation on any topic with special animation effects like *Entrance, Motion Paths & Exit*.
5. Resize the image using photoshop.
6. Change the background of a Photograph.
7. Edit an image by using
  - a) Crop tool.
  - b) Resize the image
  - c) Save the new image with new name keeping original image as it is.
8. A Picture of two parrots (parrots.jpg) is given to you. Make anyone of one of the parrots in Black & White.
9. Convert a color image to monochrome and improve quality of photograph.
10. Copy three pictures and fit into the empty frames.



BOARD DIPLOMA EXAMINATIONS  
DIPLOMA IN COMPUTER ENGINEERING  
MODEL PRACTICAL QUESTION PAPER-YEAR END EXAM  
COMPUTER FUNDAMENTALS LAB

**SCHEME: C-20**  
**MAX MARKS:60**

**SUBJ CODE:CM-110**  
**TIME: 3 HOURS**

1. Identify the internal hardware components of a PC and assemble them.
2. Identify the external components or peripherals of a PC and connect them.
3. Write the procedure to create the files and folders
4. Write the procedure to access Calculator, Paint and Notepad application
5. Write the procedure to perform the following in MS Word
  - (a) Change the Font Size
  - (b) Change the Font Style
  - (c) Change the Text Size
6. Write the procedure to perform the following in MS Word
  - (a)Change the Font Color.
  - (b)Use Various Text Alignment Options.
  - (c)Format text in Bold, Italicand Underline.
7. Create the hierarchy of your family in MS Word.
8. Write the procedure to perform the following in MS Word:
  - (a) Insert a Table
  - (b) Add a Row
  - (c) Add a column
  - (d) Delete a Row
  - (e) Delete a column
9. Write the procedure to use Equation  $\frac{(x+y)^2}{(x-y)^2} = \frac{x^2+2xy+y^2}{x^2-2xy+y^2}$  and Symbols.



10. Write the procedure to perform the following in MS Excel
  - (a) To Modify Column Width
  - (b) To Modify Row Height
  - (c) Format text in Bold, Italic, and Underline.
11. Write the procedure to create charts and Graphs in MS Excel
12. Write the procedure to create simple Power Point Presentation on your college in Three slides.
13. Write the procedure to perform Animation on Text and Objects in your presentation.
14. Take a photographic image. Give a title for the image. Put the border. Write your names. Write the Name of Institution and Place.
15. Prepare a cover page for the book in your subject area. Plan your own design.
16. You are given a picture of a flower and associated background (Extract.jpg). Extract the Flower only from that and organize it on a background. Select your own background for organization.
17. You are given a picture (BrightnessContrast.jpg). Adjust the brightness and contrast of the picture so that it gives an elegant look.
18. You are given a picture (position.jpg). Position the picture preferably on a plain background of a color of your choice - Positioning includes rotation and scaling.
19. Remove the arrows and text from the given photographic image (Filename: photo.jpg).
20. Type a word; apply the following effects. Shadow Emboss.

# **III SEMESTER**

**DIPLOMA IN COMPUTER ENGINEERING  
SCHEME OF INSTRUCTIONS AND EXAMINATION**

**CURRICULUM-2020**

**(III Semester)**

Sub Code	Name of the Subject	Instruction Periods/Week		Total Periods Per Semester	Scheme Of Examinations			
		Theory	Practicals		Duration (hrs)	Sessional Marks	End Exam Marks	Total Marks
<b>THEORY SUBJECTS</b>								
CM-301	Mathematics –II	4		60	3	20	80	100
CM-302	Digital Electronics	5	-	75	3	20	80	100
CM-303	Operating systems	4	-	60	3	20	80	100
CM-304	Data Structures through C	6	-	90	3	20	80	100
CM-305	DBMS	6	-	90	3	20	80	100
<b>PRACTICAL SUBJECTS</b>								
CM-306	Digital Electronics Lab	-	3	45	3	40	60	100
CM-307	Data Structures Through C Lab	-	6	90	3	40	60	100
CM-308	DBMS Lab	-	4	60	3	40	60	100
CM-309	Multimedia Lab		4	60	3	40	60	100
	<b>Total</b>	<b>25</b>	<b>17</b>	<b>630</b>		<b>260</b>	<b>640</b>	<b>900</b>

CM-301 common with all branches

CM-303,304,305,307,308,309 common with DIT branch

**C-20**

**ENGINEERING MATHEMATICS-II**

<b>Course Code</b>	<b>Course Title</b>	<b>No. of Periods/week</b>	<b>Total No. of periods</b>	<b>Marks for FA</b>	<b>Marks for SA</b>
CM-301	Engineering Mathematics-II	4	60	20	80

<b>S.No.</b>	<b>Unit Title</b>	<b>No. of periods</b>	<b>COs mapped</b>
1	Indefinite Integration	22	CO1
2	Definite Integration and its applications	24	CO2
3	Differential Equations of first order	14	CO3
Total Periods		60	

<b>Course Objectives</b>	<ul style="list-style-type: none"> <li>(i) To understand the concepts of indefinite integrals and definite integrals with applications to engineering problems.</li> <li>(ii) To understand the formation of differential equations and learn various methods of solving them.</li> </ul>
--------------------------	---

<b>Course Outcomes</b>	Upon completion of the course the student shall be able	
	CO1	Integrate various functions using different methods.
	CO2	Evaluate definite integrals with applications.
	CO3	Obtain differential equations and solve differential equations of first order and first degree.

## Learning Outcomes

## Unit-I

**C.O. 1 Integrate various functions using different methods.**

**L.O.1.1.** Explain the concept of Indefinite integral as an anti-derivative.

1.2. State the indefinite integral of standard functions and properties of Integrals  $\int (u + v) dx$  and  $\int ku dx$  where  $k$  is constant and  $u, v$  are functions of  $x$ .

1.3. Solve integration problems involving standard functions using the above rules.

1.4. Evaluate integrals involving simple functions of the following type by the method of substitution.

i)  $\int f(ax + b) dx$  where  $f(x)dx$  is in standard form.

ii)  $\int [f(x)]^n f'(x) dx$

iii)  $\int f'(x)/[f(x)] dx$

iv)  $\int f\{g(x)\} g'(x) dx$

1.5. Find the integrals of  $\tan x, \cot x, \sec x$  and  $\operatorname{cosec} x$  using the above.

1.6. Evaluate the integrals of the form  $\int \sin^m x \cos^n x dx$  where  $m$  and  $n$  are suitable positive integers.

1.7. Evaluate integrals of suitable powers of  $\tan x$  and  $\sec x$ .

1.8. Evaluate the Standard integrals of the functions of the type

i)  $\frac{1}{a^2 + x^2}, \frac{1}{a^2 - x^2}, \frac{1}{x^2 - a^2}$

ii)  $\frac{1}{\sqrt{a^2 + x^2}}, \frac{1}{\sqrt{a^2 - x^2}}, \frac{1}{\sqrt{x^2 - a^2}}$

iii)  $\sqrt{x^2 - a^2}, \sqrt{x^2 + a^2}, \sqrt{a^2 - x^2}$

1.9. Evaluate the integrals of the type

$$\int \frac{1}{a+b\sin\theta} d\theta, \int \frac{1}{a+b\cos\theta} d\theta \text{ and } \int \frac{1}{a\cos\theta+b\sin\theta+c} d\theta.$$

1.10. Evaluate integrals using decomposition method.

1.11. Solve problems using integration by parts.

1.12 Use Bernoulli's rule for evaluating the integrals of the form  $\int u.v dx$ .

1.13. Evaluate the integrals of the form  $\int e^x [f(x) + f'(x)] dx$ .

## Unit-II

### C.O.2 Evaluate definite integrals with applications.

L.O.2.1. State the fundamental theorem of integral calculus

2.2. Explain the concept of definite integral.

2.3. Solve problems on definite integrals over an interval using the above concept.

2.4. State various properties of definite integrals.

2.5. Evaluate simple problems on definite integrals using the above properties.

Syllabus for Unit test-I completed
------------------------------------

2.6. Explain definite integral as a limit of sum by considering an area.

2.7. Find the areas under plane curves and area enclosed between two curves using integration.

2.8. Obtain the mean value and root mean square value of the functions in any given interval.

2.9. Obtain the volumes of solids of revolution.

2.10. Solve some problems using Trapezoidal rule, Simpson's 1/3 rule for approximation of integrals.

### Unit -III

#### **C.O. 3 Form differential equations and solve differential equations of first order and first degree.**

**L.O.3.1.** Define a Differential equation, its order and degree

3.2 Find order and degree of a given differential equation.

3.3 Form a differential equation by eliminating arbitrary constants.

3.4 Solve the first order and first degree differential equations by variables separable method.

3.5 Solve Homogeneous differential equation of first order and first degree.

3.6 Solve exact differential equation of first order and first degree.

3.7 Solve linear differential equation of the form  $dy/dx + Py = Q$ , where P and Q are functions of x or constants.

3.8 Solve Bernoulli's differential equation reducible to linear form.

3.9 Solve simple problems arising in engineering applications.

Syllabus for Unit test-II completed

C-20

Engineering Mathematics – II

CO/PO – Mapping

CM-301	PO1	PO2	PO3	PO4	PO5	PO6	PO7	PSO1	PSO2	PSO3
CO1	3	2	2	2				3	1	2
CO2	3	3	3	3				3	3	3
CO3	3	3	3	3				3	3	3
<b>Avg</b>	<b>3</b>	<b>2.6</b>	<b>2.6</b>	<b>2.6</b>				<b>3</b>	<b>2.3</b>	<b>2.6</b>

**3** = Strongly mapped (High), **2** = Moderately mapped (Medium), **1** = Slightly mapped (Low)

**PO5:** Appropriate quiz programme may be conducted at intervals and duration as decided by concerned teacher.

**PO6:** Seminars on applications of mathematics in various engineering disciplines are to be planned and conducted.

**PO7:** Such activities are to be planned that students visit library to refer standard books on Mathematics and latest updates in reputed national and international journals, attending seminars, learning mathematical software tools.

**PSO1:** An ability to understand the concepts of basic mathematical techniques and to apply them in various areas like computer programming, civil constructions, fluid dynamics, electrical and electronic systems and all concerned engineering disciplines.

**PSO2:** An ability to solve the Engineering problems using latest software tools, along with analytical skills to arrive at faster and appropriate solutions.

**PSO3:** Wisdom of social and environmental awareness along with ethical responsibility to have a successful career as an engineer and to sustain passion and zeal for real world technological applications.



**C-20**

**Engineering Mathematics – II**

**PO- CO – Mapping strength**

PO no	Mapped with CO no	CO periods addressing PO in column I		Level (1,2 or 3)	Remarks	
		Number	%			
1	CO1, CO2, CO3	60	100%	3	>40% Level 3 Highly addressed	
2	CO1, CO2, CO3	60	100%	3		
3	CO1, CO2, CO3	60	100%	3		
4	CO2, CO3	38	63.3%	3		25% to 40% Level 2 Moderately addressed
5						
6						
7						
PSO 1	CO1, CO2, CO3	60	100%	3	5% to 25% Level 1 Low addressed	
PSO 2	CO1, CO2, CO3	40	66.6%	3		
PSO 3	CO1, CO2, CO3	48	75%	3		<5% Not addressed

COURSE CONTENTS**Unit-I****Indefinite Integration .**

1. Integration regarded as anti-derivative – Indefinite integrals of standard functions. Properties of indefinite integrals. Integration by substitution or change of variable. Integrals of  $\tan x$ ,  $\cot x$ ,  $\sec x$ ,  $\operatorname{cosec} x$ . Integrals of the form  $\int \sin^m x \cdot \cos^n x dx$ , where at least one of  $m$  and  $n$  is odd positive integers. Integrals of suitable powers of  $\tan x$ ,  $\sec x$  and  $\operatorname{cosec} x \cdot \cot x$  by substitution.

Evaluation of integrals which are reducible to the following forms:

$$\begin{aligned} \text{i)} & \frac{1}{a^2 + x^2}, \frac{1}{a^2 - x^2}, \frac{1}{x^2 - a^2} \\ \text{ii)} & \frac{1}{\sqrt{a^2 + x^2}}, \frac{1}{\sqrt{a^2 - x^2}}, \frac{1}{\sqrt{x^2 - a^2}} \\ \text{iii)} & \sqrt{x^2 - a^2}, \sqrt{x^2 + a^2}, \sqrt{a^2 - x^2} \end{aligned}$$

Integration by decomposition of the integrand into simple rational, algebraic functions.

Integration by parts, Bernoulli's rule and integrals of the form  $\int e^x [f(x) + f'(x)] dx$ .

**Unit-II****Definite Integral and its applications:**

2. Definite integral-fundamental theorem of integral calculus, properties of definite integrals, evaluation of simple definite integrals. Definite integral as the limit of a sum. Area under plane curves – Area enclosed between two curves. Mean and RMS values of a function on a given interval. Volumes of solids of revolution. Trapezoidal rule, Simpson's 1/3 rule to evaluate an approximate value of a definite integral.

## Unit -III

### Differential Equations:

3. Definition of a differential equation-order and degree of a differential equation-formation of differential equations-solutions of differential equations of first order and first degree using methods, variables separable, homogeneous, exact, linear differential equation, Bernoulli's equation.

### Textbook:

Engineering Mathematics-II, a textbook for third semester diploma courses, prepared & prescribed by SBTET, AP.

### Reference Books:

1. B.S. Grewal, Higher Engineering Mathematics, Khanna Publishers.
2. Schaum's Outlines Differential Equations, Richard Bronson & Gabriel B. Costa
3. M.Vygodsky, Mathematical Handbook: Higher Mathematics, Mir Publishers, Moscow.

## BLUE PRINT

S. No	Chapter/ Unit title	No of Periods	Weightage allotted	Marks wise distribution of weightage				Question wise distribution of weightage				COs mapped
				R	U	Ap	An	R	U	Ap	An	
1	Unit – I: Indefinite Integration	22	28	11	11	06	0	2	2	2	0	CO1
2	Unit – II: Definite Integration and its applications	24	33	11	03	11	08	2	1	2	1	CO2
3	Unit – III: Differential Equations of first order	14	19	03	03	03	10	1	1	1	1	CO3
<b>Total</b>		<b>60</b>	<b>80</b>	<b>25</b>	<b>17</b>	<b>20</b>	<b>18</b>	<b>5</b>	<b>4</b>	<b>5</b>	<b>2</b>	

**R: Remembering Type : 25 Marks**

**U: understanding Type : 17 Marks**

**Ap: Application Type : 20 Marks**

**An: Analysing Type : 18 Marks**

### C-20

#### Engineering Mathematics – II

#### Unit Test Syllabus

Unit Test	Syllabus
Unit Test-I	L.O 1.1 to L.O 2.5
Unit Test-II	L.O 2.6 to L.O 3.9

UNIT TEST MODEL PAPERS

Unit Test I

C –20, CM-301

State Board of Technical Education and Training, A. P

First Year

Subject name: **Engineering Mathematics-II**

Sub Code: **CM-301**

Time : 90 minutes

Max.marks:40

Part-A

16Marks

**Instructions:** (1) Answer all questions.

(2) First question carries four marks and the remaining questions carry three marks each

1. Answer the following.

a. Evaluate  $\int x^8 dx$  (CO1)

b. Evaluate  $\int \frac{1}{\sqrt{4-x^2}} dx$ . (CO1)

c.  $\int e^x (f(x) + f'(x)) dx = e^x f(x) + c$  is true/false (CO1)

d. Evaluate  $\int_0^{\frac{\pi}{2}} \cos x dx$  (CO2)

2. Evaluate  $\int \left( 3 \cos ec^2 x - 2 \tan x \sec x + \frac{1}{x} \right) dx$ . (CO1)

3. Evaluate  $\int \frac{\sin(\log x)}{x} dx$ . (CO1)

4. Evaluate  $\int e^x \sin 2x dx$ . (CO1)

5. Evaluate  $\int_0^{\frac{\pi}{2}} \sin^2 x dx$  (CO2)

- Instructions:** (1) Answer all questions.  
(2) Each question carries eight marks  
(3) Answer should be comprehensive and the criterion for valuation is the content but not the length of the answer.

6. A) Evaluate  $\int \frac{1}{5+4\cos x} dx$ . (CO1)  
or

B) Evaluate  $\int \sin^4 x \cos^3 x dx$ . (CO1)

7. A) Evaluate  $\int \cos^{-1}\left(\frac{1-x^2}{1+x^2}\right) dx$ . (CO1)  
or

B) Evaluate  $\int x^4 e^{2x} dx$ . (CO1)

8. A) Evaluate  $\int_0^{\frac{\pi}{2}} \cos 4x \cos x dx$

(CO2)

or

B) Evaluate  $\int_0^{\frac{\pi}{2}} \frac{\sin^{10} x}{\sin^{10} x + \cos^{10} x} dx$  (CO2)

-o0o-

State Board of Technical Education and Training, A. P

## First Year

Subject name: **Engineering Mathematics-II**Sub Code: **CM-301**

Time : 90 minutes

Max.marks:40

## Part-A

16Marks

**Instructions:** (1) Answer all questions.

(2) First question carries four marks and the remaining questions carry three marks each

1. Answer the following.
  - a. Volume of the curve  $y = f(x)$  over the interval  $[a, b]$  when rotated about X-axis is \_\_\_\_\_ (CO2)
  - b. Mean value of  $f(x)$  over the interval  $[a, b]$  is \_\_\_\_\_ (CO2)
  - c. Order of differential equation  $\frac{d^2y}{dx^2} + p^2y = 0$  is \_\_\_\_\_ (CO3)
  - d. Integrating factor of  $\frac{dy}{dx} + Py = Q$  is \_\_\_\_\_ (CO3)
2. Find the mean value of  $x^2 + 2x + 1$  over the interval  $[1, 2]$  (CO2)
3. Find the area enclosed by curve  $x^2 = 4y$  between the lines  $x = 2$  and  $x = 4$  (CO2)
4. Form the differential equation by eliminating the arbitrary constants from  $y = A \cos 2x + B \sin 2x$ . (CO3)
5. Solve  $\frac{dy}{dx} = \sqrt{\frac{1-y^2}{1-x^2}}$ . (CO3)

**Instructions:** (1) Answer all questions.

(2) Each question carries eight marks

(3) Answer should be comprehensive and the criterion for valuation is the content but not the length of the answer.

6. A) Find the area bounded between the curve  $y = x^2 - 5x$  and the line  $y = 4 - 2x$  (CO2)

Or

B) Find the R.M.S value of  $\sqrt{\log x}$  between the lines  $x = e$  to  $x = e^2$  (CO2)

7. A) Find the volume of the solid obtained by revolving the ellipse  $\frac{x^2}{16} + \frac{y^2}{25} = 1$  about x axis

(CO2)

or

B) Calculate the approximate value of  $\int_0^6 \frac{1}{1+x} dx$  by taking  $n = 6$  using Trapezoidal rule

(CO3)

8. A) Solve  $(y^2 - 2xy)dx + (2xy + x^2)dy = 0$ . (CO3)

or

B) Solve  $x \frac{dy}{dx} + \frac{y}{x} = x^3 y^6$ . (CO3)

-o0o-



**END EXAM MODEL PAPERS**

**STATE BOARD OF TECHNICAL EDUCATION, A.P**

**ENGINEERING MATHEMATICS CM- 301**

**TIME : 3 HOURS**

**MODEL PAPER- I**

**MAX.MARKS : 80M**

**PART-A**

**Answer All questions. Each question carries THREE marks.      10x3=30M**

1. Evaluate  $\int \left( 2 \sin x - 3e^x + \frac{4}{1+x^2} \right) dx$ . **CO 1**

2. Evaluate  $\int e^x \sin e^x dx$ . **CO 1**

3. Evaluate  $\int \sin 3x \cos 2x dx$ . **CO 1**

4. Evaluate  $\int xe^x dx$ . **CO1**

5. Evaluate  $\int_0^1 \frac{1}{1+x^2} dx$ . **CO 2**

6. Find the mean value of  $y = x^2$  from  $x=0$  to  $x=1$  **CO 2**

7. Find the area of the region bounded by the curve  $y = \sin x$  from  $x=0$  to  $x=\pi$   
**CO 2**

8. Find the order and degree of the differential equation  $\left( \frac{d^3 y}{dx^3} \right)^2 - 3 \left( \frac{dy}{dx} \right)^2 - x^2 = 1$

**CO3**

9. Solve  $\frac{dy}{dx} = \frac{1+y^2}{1+x^2}$  **CO3**

10. Solve  $(x^2 + y)dx + (y^2 + x)dy = 0$ . **CO3**

**PART-B**

**Answer All questions. Each question carries EIGHT marks.**

**5x8=40M**

11. A) Evaluate  $\int \frac{3x+1}{(x-1)(x+3)} dx$ . **CO1**

Or

B) Evaluate  $\int \frac{1}{5+4\cos x} dx$ . **CO1**

12. A) Evaluate  $\int x \sin 3x \cos x dx$ . **CO1**

Or

B) Evaluate  $\int x^3 \cos x dx$ . **CO1**

13. A) Evaluate  $\int_0^1 \frac{x^3}{1+x^8} dx$ . **CO2**

Or

B) Evaluate  $\int_0^{\frac{\pi}{2}} \frac{1}{1+\tan^3 x} dx$ . **CO2**

14. A) Find the area of the region bounded by the curves  $y^2 = 4x$  and  $x^2 = 4y$ . **CO2**

Or

B) Find the R.M.S values of  $\sqrt{27-4x^2}$  from  $x=0$  to  $x=3$  **CO2**

15. A) Find the volume of the solid generated by revolution of the ellipse  $\frac{x^2}{16} + \frac{y^2}{25} = 1$

about X-axis

**CO2**

Or

B) Calculate the approximate value of  $\int_1^{11} x^3 dx$  by using Simpson's 1/3<sup>rd</sup> rule by dividing the range into 10 equal parts. **CO2**

**PART-C**

**Answer the following question. Question carries TEN marks.**

**1x10=10M**

16. Solve  $2 \sin x \frac{dy}{dx} - y \cos x = xy^3 e^x$ . **CO3**

STATE BOARD OF TECHNICAL EDUCATION, A.P

ENGINEERING MATHEMATICS CM-301

TIME : 3 HOURS

MODEL PAPER-II

MAX.MARKS : 80M

PART-A

Answer All questions. Each question carries THREE marks.

10x3=30M

1. Evaluate  $\int \left( 3e^x - 2\cos x + \frac{3}{x} \right) dx$ . **CO 1**
2. Evaluate  $\int \cos^2 2x dx$ . **CO 1**
3. Evaluate  $\int \frac{\tan^{-1} x}{1+x^2} dx$ . **CO 1**
4. Evaluate  $\int x \cos x dx$ . **CO1**
5. Evaluate  $\int_0^2 \frac{1}{\sqrt{4-x^2}} dx$ . **CO2**
6. Find the mean value of  $i = a \sin t$  over the complete wave. **CO2**
7. Find the volume generated by revolving the circle  $x^2 + y^2 = 9$  from  $x=0$  to  $x=2$  about x-axis **CO2**
8. Obtain the differential equation by eliminating the arbitrary constants A and B from the curve  $y = Ae^x + Be^{-x}$  **CO3**
9. Solve  $\frac{dy}{dx} = e^{2x+y}$  **CO3**
10. Solve  $\frac{dy}{dx} + \frac{y}{x} = x$  **CO3**

**PART-B**

**Answer All questions. Each question carries EIGHT marks. 5x8=40M**

11. A) Evaluate  $\int \frac{1}{2x^2 + 3x + 5} dx$ . **CO1**

Or

B) Evaluate  $\int \sin^3 x \cos^5 x dx$ . **CO1**

12. A) Evaluate  $\int e^x \left( \frac{2 + \sin 2x}{1 + \cos 2x} \right) dx$ . **CO1**

Or

B) Evaluate  $\int e^{2x} x^4 dx$ . **CO1**

13. A) Evaluate  $\int_0^1 \frac{\sec^2 x}{(1 + \tan x)^2} dx$ . **CO2**

Or

B) Evaluate  $\int_0^{\frac{\pi}{2}} \log(1 + \tan \theta) d\theta$ . **CO2**

14. A) Find the area bounded between the curves  $y = x^2$  and the line  $y = 3x + 4$ . **CO3**

Or

B) Find the R.M.S value of  $\sqrt{\log x}$  between the lines  $x = e$  to  $x = e^2$  **CO2**

15. A) Find the volume of right circular cone using integration. **CO2**

Or

B) Find the approximate value of  $\pi$  from  $\int_0^1 \frac{1}{1+x^2} dx$  using Trapezoidal rule by

dividing  $[0,1]$  into 5 equal sub-intervals. **CO2**

**PART-C**

**Answer the following question. Question carries TEN marks.**

**1x10=10M**

16. Solve  $xy^2 dy - (x^3 + y^3) dx = 0$  **CO3**

Curriculum Gaps identified in this subjects:

- 1 Unit-I: Indefinite Integration and part of Unit-II: Definite Integration are required for CME branch
- 2 Part of Unit-II: Applications of Definite Integration and Unit-III are not required
- 3 Instead of Part of Unit-II: Applications of Definite Integration and Unit-III, Concepts of Discrete Mathematical Structures may be included which is essential for CME branch students.

Course code	Course Title	No. of Periods/ Weeks	Total No. of periods	Marks for FA	Marks for SA
CM-302	Digital Electronics	5	75	20	80

S. No.	Chapter/Unit Title	No. of Periods	CO's Mapped
1.	Number systems	15	CO1
2.	Logic Gates, Boolean Algebra and basic Combinational circuits	17	CO2
3.	Flip-Flops	15	CO3
4.	Counters and registers	17	CO4
5.	Additional Combinational Circuits	11	CO5
Total Periods		75	

Course Objectives	Upon completion of the course the student shall be able
	i)To acquire the basic knowledge of digital logic levels and apply of knowledge to understand digital logic circuits. ii)To prepare students to perform the analysis and design of various digital electronic circuits.

Course Outcomes	Upon completion of the course the student shall be able to		
	CO1	CM-302.1	Explain the structure of various number systems.
	CO2	CM-302.2	Describe fundamental concepts and techniques used in digital electronics, the switching algebra theorems and logic gates and apply them to design logic circuits using K-Maps
	CO3	CM-302.3	Explain the operation of flip flops
	CO4	CM-302.4	Design the counting circuits, Registers using flipflop operations.
	CO5	CM-302.5	Analyse various sequential circuits and combinational circuits

**CO-PO/PSO Matrix:**

CO NO.	PO1	PO2	PO3	PO4	PO5	PO6	PO7	PSO1	PSO2	PSO3
CM-302.1	3	3	3		2			3	2	3
CM-302.2	3	3	3	2	1	1		3	2	2
CM-302.3	2	1	1	1			1	1	1	3
CM-302.4	2	2	3	1		2	1	2	2	1
CM-302.5	2	2	3	1	1	1	2	3		1
<b>Average</b>	<b>2.4</b>	<b>2.2</b>	<b>2.6</b>	<b>2.25</b>	<b>1.3</b>	<b>1.3</b>	<b>1.3</b>	<b>2.4</b>	<b>1.75</b>	<b>2</b>

3=Strongly mapped, 2=moderately mapped, 1=slightly mapped

## Learning Outcomes:

### 1.0 Number systems

- 1.1 List the various number systems used in digital Computer.
- 1.2 Explain Decimal number system
- 1.3 Explain Binary number system
- 1.4 Explain octal number system
- 1.5 Explain Hexadecimal number system
- 1.6 Convert decimal number to other base conversion.
  - 1.6.1 Decimal to Binary
  - 1.6.2 Decimal to Octal
  - 1.6.3 Decimal to Hexadecimal
- 1.7 Convert binary number to other base conversion.
  - 1.7.1 Binary to Decimal
  - 1.7.2 Binary to octal
  - 1.7.3 Binary to Hexadecimal
- 1.8 Convert Octal number to other base conversion.
  - 1.8.1 Octal to Decimal
  - 1.8.2 Octal to Binary
  - 1.8.3 Octal to Hexadecimal
- 1.9 Convert hexadecimal other base conversion.
  - 1.9.1 Hexadecimal to Decimal
  - 1.9.2 Hexadecimal to Binary
  - 1.9.3 Hexadecimal to Octal
- 1.10 Binary number representation.
  - 1.10.1 Define Binary numbers representation.
  - 1.10.2 List the types of Binary numbers representation.
  - 1.10.3 Explain Unsigned binary number representation.
  - 1.10.4 Explain Signed binary number representation.
  - 1.10.5 Explain Signed binary arithmetic.
  - 1.10.6 Illustrate addition of two signed binary numbers.
  - 1.10.7 Illustrate subtraction of two signed binary numbers.
  - 1.10.8 Illustrate binary multiplication.
  - 1.10.9 Illustrate Binary division.
- 1.11 Binary coded decimal (BCD) coding scheme.
  - 1.11.1 Define Binary coded decimal (BCD) coding scheme.
  - 1.11.2 List the types of Binary coded decimal (BCD)
  - 1.11.3 Draw and explain 8421 codes.
  - 1.11.4 Draw and explain 2421 code.
  - 1.11.5 Draw and explain 8 4-2-1 code.
  - 1.11.6 Draw and explain Excess 3 code.
  - 1.11.7 Draw and explain Gray code.
  - 1.11.8 Explain Character representation
  - 1.11.9 List character representation codes
  - 1.11.10 Explain the ASCII coding scheme.
  - 1.11.11 Explain the EBCDIC coding scheme.

### 2.0 Boolean Algebra, Logic gates and Basic Combinational Circuits

- 2.1 Define Boolean algebra
- 2.2 Explain AND, OR, NOT operations with truth tables.
- 2.3 Explain the working of EX-OR and EX-NOR operations with truth tables.
- 2.4 List the different postulates in Boolean algebra.
- 2.5 State De-Morgan 's theorems.



- 2.6 Prove De-Morgan's theorems using truth tables.
- 2.7 Apply De-Morgan's theorems and other postulates of Boolean algebra to simplify the given Boolean expression.
- 2.8 Generate Boolean expression for given truth table.
- 2.9 Use Sum-Of-Products (SOP) method
- 2.10 Use Product-Of-Sums (POS) method
- 2.11 Use K-map to simplify Boolean expression (up to 4 variables).
- 2.12 Use Two variable K-Map, Three variable K-Map and Four variable K-Map
- 2.13 Logic Gates
  - 2.13.1 Define Logic gate
  - 2.13.2 List basic gates
  - 2.13.3 Define OR gate
  - 2.13.4 Explain OR gate with logic symbol and truth table.
  - 2.13.5 Define AND gate
  - 2.13.6 Explain AND gate with logic symbol and truth table.
  - 2.13.7 Define NOT gate
  - 2.13.8 Explain NOT gate with logic symbol and truth table.
  - 2.13.9 What is universal gate? List universal gates
  - 2.13.10 Define NOR gate
  - 2.13.11 Explain NOR gate with logic symbol and truth table.
  - 2.13.12 Define NAND gate
  - 2.13.13 Explain NAND gate with logic symbol and truth table.
  - 2.13.14 Define EX-OR and EX-NOR gates
  - 2.13.15 Explain the working of EX-OR and EX-NOR gates with truth tables.
  - 2.13.16 Implement AND, OR, NOT, EX-OR gates using NAND gates only
  - 2.13.17 Implement AND, OR, NOT, EX-OR gates using NOR gate only.
- 2.14 Basic Combinational Circuits
  - 2.14.1 Define the Half Adder. Explain the function of Half Adder.
  - 2.14.2 Draw Half-Adder circuit using an exclusive OR and an AND gate.
  - 2.14.3 Draw a Half-Adder using only NAND gates or only NOR gates.
  - 2.14.4 Define the Full Adder. Explain the function of Full Adder.
  - 2.14.5 Construct Full Adder using two Half-Adder and an OR gate
  - 2.14.6 Define the parallel Adder
  - 2.14.7 Explain the function of parallel Adder using logic symbol.
  - 2.14.8 Draw and explain 4-bit parallel adder using full adders.
  - 2.14.9 Draw and explain 4-bit parallel adder/ 2's complement subtractor circuit.
  - 2.14.10 Explain the working of a serial adder with a block diagram.
  - 2.14.11 List the advantage and disadvantages of a serial adder
  - 2.14.12 List the advantage and disadvantages of a parallel adder.
  - 2.14.13 Distinguish between serial adder and parallel adder.
  - 2.14.14 Explain the operation of a digital comparator circuit for two 4-bit words.

### 3.0 Flip Flops

- 3.1 List the details of different logic families.
- 3.2 Define positive and negative logic levels.
- 3.3 Define Flip flop.
- 3.4 Draw and explain the basic principle of operation of a Flip-flop.
- 3.5 Define Latch.
- 3.6 Explain the working of a NAND latch circuit with truth table and Timing diagram.

- 3.7 Explain the working of a NOR latch circuit with truth table and Timing diagram.
- 3.8 Differentiate between Latch and Flip-flop.
- 3.9 Define Triggering.
- 3.10 List the types of Triggering.
- 3.11 Draw and explain the concept of edge triggering (positive, negative)
- 3.12 Draw and explain the concept of level triggering. (Positive, negative)
- 3.13 Explain with block diagram, waveforms and truth tables the working of RS Flip-flop.
- 3.14 Explain with block diagram, waveforms and truth tables the working of RST Flip-flop.
- 3.15 Explain with block diagram, waveforms and truth tables the working of D Flip-flop.
- 3.16 Explain with block diagram, waveforms and truth tables the working of JK Flip-flop.
- 3.17 Explain with block diagram, waveforms and truth tables the working of T Flip-flop.
- 3.18 Distinguish between synchronous and asynchronous inputs of a flip-flop and state the its functions.
- 3.19 Draw and explain the need for a Master-Slave flip-flop.
- 3.20 Explain the working of a Master-Slave flip-flop using suitable circuit diagram and truth table.

#### **4.0 Counters and Registers**

##### **4.1 Counters**

- 4.1.1 Define Counter
- 4.1.2 List the types of counters.
- 4.1.3 Define Synchronous counter
- 4.1.4 Define Asynchronous counter
- 4.1.5 Distinguish between asynchronous and synchronous counters.
- 4.1.6 Draw and explain module-8 ripple counter circuit diagram with waveforms and truth tables
- 4.1.7 Draw and explain module-16 ripple counter circuit diagram with waveforms and truth tables
- 4.1.8 Draw and explain module-10 (decade) Asynchronous counter circuit diagram with Waveforms and truth tables
- 4.1.9 Draw and explain module-8 synchronous counter circuit diagram with waveforms and truth tables
- 4.1.10 Draw and explain module-16 synchronous counter circuit diagram with waveforms and truth tables
- 4.1.11 Draw and explain module-10 synchronous counter circuit diagram with waveforms and truth tables
- 4.1.12 List the draw backs of ripple counters.
- 4.1.13 List the advantages of synchronous counters
- 4.1.14 Explain the operation of a up/down counter circuit diagram with waveforms and truth tables
- 4.1.15 Define Programmable counter
- 4.1.16 Draw and explain the need for a Programmable counter
- 4.1.17 Explain how to design Programmable counter circuit diagram
- 4.1.18 Draw and explain the operation of a 4-bit ring counter.
- 4.1.19 List the applications of counter.

##### **4.2 Register**

- 4.2.1 Define Register
- 4.2.2 State the need of Register.
- 4.2.3 List the methods of data transfer in register.
- 4.2.4 List the types of Registers
- 4.2.5 Define Serial in – Serial out register
- 4.2.6 Define Serial in – Parallel out register
- 4.2.7 Define Parallel in – Serial out register

- 4.2.8 Define Parallel in – Parallel out register
- 4.2.9 Explain the working of serial in – serial out register with circuit diagram.
- 4.2.10 Explain the working of serial in – parallel out register with circuit diagram.
- 4.2.11 Explain the working of shift left Register with circuit diagram.
- 4.2.12 Explain the working of shift right registers with circuit diagram.
- 4.2.13 Explain the working of universal shift register.
- 4.2.14 Draw and explain the use of shift register as memory.

## 5.0 Additional Combinational Circuits

- 5.1 Define data selector and state its importance.
- 5.2 Define the terms Multiplexer and Demultiplexer.
- 5.3 Draw and explain the operation of a Multiplexer circuit diagram with truth table.
- 5.4 Draw and explain the operation of Demultiplexer circuit diagram with truth table.
- 5.5 List the applications of Multiplexers.
- 5.6 List the applications of Demultiplexers.
- 5.7 Define the terms Encoder and Decoder.
- 5.8 Draw and explain the operation of a 4 to10 line decoder circuit diagram with truth table.
- 5.9 Draw and explain the operation of an 8 to 3 encoder circuit diagram with truth table.
- 5.10 List applications of Decoders.
- 5.11 List applications of Encoders.
- 5.12 Define Programmable logic Devices.
- 5.13 List the types of Programmable logic Devices.
- 5.14 Draw and explain the Programmable Logic Array (PLA).

## COURSE CONTENTS

**1. Number Systems:** Number Systems, Decimal, Binary, Hexadecimal and Octal codes, Conversion from one number system to another number system, Binary numbers representation, Binary Arithmetic, BCD, Character representation-ASCII and EBCDIC code for characters.

**2. Boolean algebra and Logical Gates:** AND, OR, NAND, NOT, NOR & EX-OR gates. Logical definitions – Symbols – truth tables. Boolean theorems, Boolean simplifications of Boolean expressions, Using De-Morgan 's theorems, Formation and implementation of Logic expressions, Karnaugh 's mapping, Applications involving developing of combinational logic circuits. Half-Adder, Full-adder, Subtractor series – Parallel Binary adder – Parallel adder/subtractor circuits.

**3. FLIP FLOP: Different logic families,** Basic principles of Flip Flop operation (with help of wave form & truth tables) of RS, T, D, JK and Master Slave JK flip flop, concept of Edge Triggering and Level Triggering, Synchronous and Asynchronous flip flop.

**4. Counters:** Basic Asynchronous, Synchronous Binary and Decade counter and the Ripple counter, their use Decade counter, Up and Down counters, Ring counter.

**Registers:** Shift registers, Serial, Parallel register, Serial-in Parallel out, Parallel-in– serial out devices, Universal shift registers, Applications.

**5. Additional Combinational Circuits** Multiplexers, Demultiplexers and Encoders, Decoders-operation of a multiplexer with a circuit diagram - operation of a demultiplexer with a circuit diagram - applications of multiplexers and demultiplexers-operation of a 4-to-10-line decoder - operation of an 8-to-3-line encoder, Programmable logic array.

## REFERENCE BOOKS

1. Digital principles and applications, Malvino and leach- SIE publications.
2. Digital Electronics, Bignell- Delmar Cengage Learning.
3. Modern Digital Electronics, R.P Jain- Tata Mc Graw Hill Education.
4. Computer System Architecture, Morris Mano -Pearson Edition
5. Introduction to Digital Systems, James Palmer, David Perlman- Tata Mc Graw Hill Education.

## MODEL BLUE PRINT

S.No.	Chapter/Unit title	No.of periods	Weightage Allocated	Marks Wise Distribution of Weightage				Question wise Distribution of Weightage				CO's Mapped
				R	U	Ap	An	R	U	Ap	An	
1	Number systems	15	14	3	11			1	2			CO1
2	Logic Gates, Boolean Algebra and basic Combinational circuits	17	14	6	11		*	2	2		*	CO2
3	Flip-Flops	15	14	3	11		*	1	2		*	CO3
4	Counters and registers	17	14	3	11		*	1	2		*	CO4
5	Additional Combinational circuits	11	14	3	8		*	1	1		*	CO5
Total		75	70+10 (*)	18	52		10*	6	9		1	

Note: Part-C: 10 marks single analytical question may be chosen from any one of the chapters marked with \*.

### Table specifying the scope of syllabus to be covered for unit tests

Unit Test	Learning outcomes to be covered
Unit test-1	From 1.1 to 3.8
Unit test-2	From 3.9 to 5.14

**DIPLOMA IN COMPUTER ENGINEERING  
MODEL PAPER  
DIGITAL ELECTRONICS  
UNIT TEST-1**

**SCHEME: C-20  
MAX MARKS:40**

**SUBJ CODE:CM-302  
TIME: 90 MINUTES**

**PART-A**

**16Marks**

**Instructions:**1) Answer all questions

2) First question carries 4 marks, and remaining carries 3 marks each.

1. a) K-map is not used to simplify Boolean expression (True/False) (CO2)
- b) -----is the base of octal number system (CO1)
- c) logic gate gives-----number of outputs (CO2)
- d) TTL stands for ----- (CO3)
- 2) Convert  $101010_2$  into decimal number (CO1)
- 3) State and prove Demorgan's theorems using truth table (CO2)
- 4) Implement OR gate using NAND gate only. (CO2)
- 5) Define positive and negative logic levels of FLIP FLOP (CO3)

**PART-B**

**3X8=24Marks**

**Instructions:**1) Answer all questions

2) Each question carries 8 Marks

3) Answer should be comprehensive and the criterion for valuation is the content but not the length of the answer

6. a) Explain addition and subtraction of two signed binary numbers. (CO1)  
Or  
b) List and explain any two character representation codes. (CO1)
7. a) Derive the Boolean expression using Karnaugh map if  $F(A, B, C, D) = \sum (0, 2, 5, 7, 8, 10, 13, 15)$  (CO2)  
Or  
b) Draw and explain 4-bit parallel adder using full adders. (CO2)
8. a) Define Half Adder, give its truth table and draw the Half-Adder using only NOR gates. (CO2)  
Or  
b) Explain the working of a NAND latch circuit with truth table and Timing diagram. (CO3)

**BOARD DIPLOMA EXAMINATIONS  
DIPLOMA IN COMPUTER ENGINEERING  
MODEL PAPER – END EXAMINATION  
DIGITAL ELECTRONICS**

**SCHEME: C-20  
MAX MARKS:80**

**SUBJ CODE:CM-302  
TIME: 3 HOURS**

**PART-A**

**10X3=30Marks**

Note: Answer all questions

1. Convert  $(34.56)_{10}$  into binary number system. (CO1)
2. List the types of Binary Coded Decimal (BCD). (CO1)
3. Write about De-Morgan's theorems. (CO2)
4. Draw the logic symbols for AND gate and OR gate with truth tables. (CO2)
5. Define full adder. (CO2)
6. Define positive and negative logic levels. (CO3)
7. Distinguish between Latch and Flip-flop. (CO3)
8. Distinguish between asynchronous and synchronous counters. (CO4)
9. List the types of Registers (CO4)
10. Define Programmable logic Devices. (CO5)

**PART-B**

**5x8=40Marks**

Note: Answer all questions

- 11.A. Illustrate subtraction of two signed binary numbers. (CO1)  
OR
- 11.B Explain Signed binary number representation. (CO1)
- 12.A. Draw and explain 4-bit parallel adder using full adders. (CO2)  
OR
- 12.B Implement AND, OR, NOT, EX-OR gates using NAND gate only. (CO2)
- 13.A. Explain the working of a NAND latch circuit with truth table and Timing diagram. (CO3)  
OR
- 13.B Explain the working of a Master-Slave flip-flop using suitable circuit diagram and truth table. (CO3)
- 14.A. Draw and explain mod-10 (decade) Asynchronous counter circuit diagram with waveforms and truth tables. (CO4)  
OR
- 14.B. Explain the working of shift left register with circuit diagram. (CO4)
- 15.A. Draw and explain the operation of a Multiplexer circuit diagram with truth table. (CO5)  
OR
- 15.B Draw and explain the operation of an 8 to 3 encoder circuit diagram with truth table. (CO5)

**PART-C**

**1X10=10Marks**

16. Can it be possible to achieve same operation by replacing latch with flipflop? Give the reasons. (CO3)

Course code	Course Title	No. of Periods/Weeks	Total No. of periods	Marks for FA	Marks for SA
CM-303	<b>Operating Systems</b>	4	60	20	80

S.No.	Chapter/Unit Title	No. of Periods	CO's Mapped
1.	Introduction to Operating system	12	CO1
2.	Process management	12	CO2
3.	Synchronization & Deadlocks	12	CO3
4.	Memory management	12	CO4
5.	Disk scheduling and File management	12	CO5
<b>Total Periods</b>		<b>60</b>	

<b>Course Objectives</b>	Upon completion of the course the student shall be able
	<ul style="list-style-type: none"> <li>i) To know about the basics of Operating Systems</li> <li>ii) To familiarize with process management, Scheduling algorithms, Synchronization and deadlock techniques</li> <li>iii) To understand various Memory management techniques</li> <li>iv) To familiarize with File management</li> </ul>

<b>Course Out comes</b>	Upon completion of the course the student shall be able		
	CO1	CM-303.1	Explain basic concepts of Operating System
	CO2	CM-303.2	Analyse a given process scheduling algorithm
	CO3	CM-303.3	Describe Semaphores, synchronization and Deadlock handling techniques
	CO4	CM-303.4	Use memory management techniques and page replacement algorithms
	CO5	CM-303.5	Use Disk scheduling algorithms and File allocation methods with respect to different operating systems

**CO-PO/PSO MATRIX**

CO NO.	PO1	PO2	PO3	PO4	PO5	PO6	PO7	PSO1	PSO2	PSO3
CM-303.1	3	2	2	2	3	3	3	3	2	2
CM-303.2	3	3	3	2	2	3	3	2	2	2
CM-303.3	3	3	3	2	3	3	3	3	2	3
CM-303.4	3	3	3	3	3	3	3	3	3	3
CM-303.5	2	2	2	3	2	3	2	3	3	2
CM-303.6	3	3	2	2	2	3	3	3	3	3
Average	3	3	2.5	2	2.5	3	3	3	2.5	2.5

**3=Strongly mapped, 2=moderately mapped, 1=slightly mapped**

**Learning Outcomes:**

**1.0 Introduction to operating systems**

- 1.1 Define an operating system
- 1.2 Discuss history of operating system
- 1.3 Discuss about various types of operating systems
- 1.4 Distinguish spooling and buffering
- 1.5 Explain the concepts of multiprogramming and timesharing
- 1.6 Differentiate between distributed and real time systems
- 1.7 Describe multiprocessor systems
- 1.8 Describe the operating system components
- 1.9 Discuss operating system services
- 1.10 Define system call with an example
- 1.11 List and explain different types of system calls
- 1.12 Define single user, multi user operating system structure

**2.0 Process management**

- 2.1 Define process and process control block
- 2.2 Explain process state diagram
- 2.3 Describe process creation and termination
- 2.4 Discuss the relation between processes
- 2.5 Define Thread and describe multithreading
- 2.6 Explain scheduling concepts
- 2.7 Describe scheduling queues and schedulers
- 2.8 Explain CPU scheduling and scheduling criteria
- 2.9 Explain various scheduling algorithms
  - 2.9.1 FCFS
  - 2.9.2 SJF
  - 2.9.3 Round Robin
  - 2.9.4 Priority
  - 2.9.5 Multilevel Scheduling



### **3.0 Synchronization & Deadlocks**

- 3.1 Define Process synchronization
- 3.2 Describe semaphores
- 3.3 Explain inter process communication
- 3.4 Define Deadlock
- 3.5 State the necessary conditions for arising deadlocks
- 3.6 State various techniques for deadlock prevention
- 3.7 Discuss Deadlock avoidance and detection
- 3.8 Describe the process of recovering from deadlock

### **4.0 Memory management**

- 4.1 Discuss Memory Hierarchy.
- 4.2 Describe briefly address binding, dynamic loading, dynamic linking
- 4.3 Define overlays
- 4.4 Describe briefly on swapping
- 4.5 Explain single partition allocation
- 4.6 Explain multiple partition allocation
- 4.7 Explain the concept of fragmentation
- 4.8 Explain paging concept
- 4.9 Explain how logical address is translated into physical address
- 4.10 Explain segmentation and segmentation with paging
- 4.11 Define and explain virtual memory techniques
- 4.12 Describe demand paging
- 4.13 Describe page replacement
- 4.14 Discuss on page replacement algorithms
  - 4.14.1 FIFO
  - 4.14.2 LRU
  - 4.14.3 Optimal
- 4.15 Explain the concept of thrashing
- 4.16 Explain working set model and page fault frequency

### **5.0 Disk scheduling and File management**

- 5.1 List and define various disk performance parameters like Capacity, Latency time, Seek Time, transfer rate, Access time, reliability, and average transfer time.
- 5.2 Calculate Latency time, Seek Time, transfer rate, transfer time with numerical examples on disk structure.
- 5.3 Disk allocation methods.
- 5.4 Disk scheduling policies
  - 5.2.1 FIFO
  - 5.2.2 SSTF
  - 5.2.3 SCAN methods
- 5.5 Define file management
- 5.6 List and explain various file operations
- 5.7 List and explain various access methods
- 5.8 List and explain various allocation methods
- 5.9 List and explain directory structure
- 5.10 Explain disk organization and structure

## **COURSE CONTENT**

### **1.0 Introduction to operating systems**

Operating System –Evolution of operating system-Types of Operating Systems - Multi Programming and Time Sharing - Distributed and Real time Systems - spooling and buffering - Multi processor systems-Components of Operating Systems - operating System Services - system Calls - single User and Multi user operating System Structure.

### **2. Process management**

Processes - Sequential Processes - Process State Diagram - Process Control Block - Process Creation and Termination - Relations between Processes - Threads and Multi-Threading - Scheduling Concepts - Schedulers - CPU scheduling and Scheduling criteria - scheduling algorithms.

### **3. Synchronization & Deadlocks**

Inter Process Communications - semaphores – monitors Deadlocks - principal of deadlock - deadlock prevention - deadlock detection - deadlock avoidance.

### **4. Memory management**

Memory Hierarchy, Address binding -Dynamic Loading- dynamic linking-overlays-swapping- memory allocation-fragmentation-paging-segmentation- segmentation with paging-Benefits of virtual memory - virtual memory techniques - demand paging - page replacements - page replacement algorithms – thrashing.

### **5.Disk scheduling and File management**

Disk performance parameters - Disk Allocation methods-Disk scheduling policies –Introduction to file systems - File Management-File Operations - Access methods - Directory structure organization - File Protection.

## **REFERENCE BOOKS**

1. Operating Systems,Silber Schatz and Galvin- Wiley
2. Operating Systems, William Stallings-Prentice Hall
3. Operating Systems, Dietel and Dietel -Pearson
4. Operating Systems, Dham here -TMH
5. Advanced Operating Systems, Tanenbaum- Prentice Hall

### MODEL BLUE PRINT

S. No.	Chapter/Unit title	No. of periods	Weightage Allocated	Marks Wise Distribution of Weightage				Question wise Distribution of Weightage				CO's Mapped
				R	U	Ap	An	R	U	Ap	An	
1	Introduction to Operating system	12	14	6	8			2	1			CO1
2	Process management	12	14	6	8			2	1			CO2
3	Synchronization & Deadlocks	12	14	3	3	8	*	1	1	1	*	CO3
4	Memory management	12	14	6	8			2	1			CO4
5	Disk scheduling and File management	12	14	3	11		*	1	2		*	CO5
	<b>Total</b>	<b>60</b>	<b>70+(10*)</b>	<b>24</b>	<b>38</b>	<b>8</b>	<b>10*</b>	<b>8</b>	<b>6</b>	<b>1</b>	<b>1</b>	

Note: Part-C: 10 marks single analytical question may be chosen from chapters marked with \*.

#### Table specifying the scope of syllabus to be covered for unit tests

Unit Test	Learning outcomes to be covered
Unit test-1	From 1.1 to 3.4
Unit test-2	From 3.5 to 5.10

**DIPLOMA IN COMPUTER ENGINEERING**  
**MODEL PAPER**  
**OPERATING SYSTEMS**  
**UNIT TEST-1**

**SCHEME: C-20**  
**MAX MARKS:40**

**SUBJ CODE:CM-303**  
**TIME: 90 MINUTES**

**PART-A**

**16Marks**

**Instructions:**1) Answer all questions

2) First question carries 4marks, and remaining carries 3marks each.

1. a) Operating system is a Hardware. (True/False) (CO1)
- b) Operating system is also known as \_\_\_\_\_ manager. (CO1)
- c) Full form of FCFS is \_\_\_\_\_ . (CO2)
- d) Which one of the following is not a process state [ ] (CO2)  
        I) New II) Scheduling III) Suspend IV) Running
- 2) List any three types of Operating Systems. (CO1)
- 3) Define spooling and buffering. (CO1)
- 4) Draw Process state diagram. (CO2)
- 5) Define Process Synchronization. (CO3)

**PART-B**

**3X8=24Marks**

**Instructions:** 1) Answer all questions

2) Each question carries 8 Marks

3) Answer should be comprehensive and the criterion for valuation is the content but not the length of the answer

6. a) Explain the concept of Multiprogramming and Time sharing. (CO1)  
    (Or)
- b) Explain various system calls with an example. (CO1)
7. a) Differentiate Distributed and Real-time systems. (CO1)  
    (Or)
- b) Explain SJF scheduling algorithm with an example. (CO2)
8. a) Explain Round Robin CPU scheduling algorithm. (CO2)  
    (Or)
- b) Explain Inter process communication. (CO3)

**BOARD DIPLOMA EXAMINATIONS  
DIPLOMA IN COMPUTER ENGINEERING  
MODEL PAPER - END EXAMINATION  
OPERATING SYSTEMS**

**SCHEME: C-20  
MAX MARKS:80**

**SUBJ CODE:CM-303  
TIME: 3 HOURS**

Instructions:

1) Answer all questions

2) Each question carries Three marks

- |    |   |       |
|----|---|-------|
| 1. | Define Operating system.                    | (CO1) |
| 2. | List different types of system calls.       | (CO1) |
| 3  | Define the terms program and process?       | (CO2) |
| 4  | Write about multithreading?                 | (CO2) |
| 5  | List the necessary conditions for deadlock? | (CO3) |
| 6  | Define Semaphore.                           | (CO3) |
| 7  | State the need of Virtual Memory?           | (CO4) |
| 8  | Define Overlay.                             | (CO4) |
| 9  | Define Latency Time and Seek time.          | (CO5) |
| 10 | List the file allocation methods.           | (CO5) |

**PART-B**

**5x8=40Marks**

**Instructions:**

1)Answer all questions

2) Each question carries Eight Marks

3) Answer should be comprehensive and the criterion for valuation is the content but not the length of the answer

- |       |  |       |
|-------|--|-------|
| 11.A. | Differentiate multiprogramming and time sharing? | (CO1) |
|       | OR   |       |
| 11.B  | Explain in detail about OS services?             | (CO1) |
| 12.A. | Draw and explain process state diagram?          | (CO2) |
|       | OR   |       |
| 12.B  | Explain various scheduling algorithms            | (CO2) |
| 13.A. | Explain inter process communication              | (CO3) |
|       | OR   |       |
| 13.B  | Explain Deadlock avoidance and detection         | (CO3) |
| 14.A. | Explain paging concept                           | (CO4) |
|       | OR   |       |
| 14.B  | Explain virtual memory techniques                | (CO4) |

15.A Calculate the average access time for transferring 512 bytes of data with the data rate 40KB per second. The average seek time is 5msec, the disk rotation is 6000RMP, and the controller overhead is 0.1 msec. (CO5)

OR

15.B Explain disk organization and structure (CO5)

**PART-C**

**1x10=10Marks**

16. Consider the situation, "There are two teams, team A and team B. Both want to play cricket and went to playground but the problem is , team A has just Bat but no ball and team B has just ball and no bat ( both team don't care about it as they are assuming there would be some shop nearer and they will purchase the missing item). They reach the playground at the same time and now inquired if there is any sport shop but they come to know there is no shop. Somehow, they come to know about each other problem, now Team A requested team B to provide them their Ball and team but requested team A to provide them their Bat. But both teams are not ready to share their bat or ball as already they have sufficient 11 players and both want to play cricket."

Is there any deadlock situation occurs? Justify the answer. (CO3)

Course code	Course Title	No. of Periods/Weeks	Total No. of periods	Marks for FA	Marks for SA
CM-304	Data Structures Through C	6	90	20	80

S. No.	Chapter/Unit Title	No. of Periods	CO's Mapped
1.	Introduction to Data structures, Searching and Sorting	30	CO1
2.	Linked Storage Representation-Linked Lists	18	CO2
3.	Linear Data Structures-Stacks	12	CO3
4.	Linear Data Structures-Queues	10	CO4
5.	Non-Linear Data Structures-Trees	20	CO5
Total Periods		90	

<b>Course Objectives</b>	Upon completion of the course the student shall be able
	i)To know the various types of Data Structures ii)To familiarize with the representation of Data Structures iii)To use various Data structures in organizing data iv)To reinforce theoretical concepts by writing relevant programs

<b>Course Out comes</b>	Upon completion of the course the student shall be able		
	CO1	CM-304.1	Illustrate various techniques of sorting and searching
	CO2	CM-304.2	Explain the operations on Various Linked Lists
	CO3	CM-304.3	Apply the operations of Stack.
	CO4	CM-304.4	Explain the operations of different types of Queue.
	CO5	CM-304.5	Apply Binary tree traversal techniques.

### CO-PO/PSO MATRIX

CO NO.	PO1	PO2	PO3	PO4	PO5	PO6	PO7	PSO1	PSO2	PSO3
CM-304.1	3	3	3	1	3	3	3	3	2	2
CM-304.2	3	3	3	1	3	3	3	2	3	2
CM-304.3	3	3	3	2	3	3	3	2	2	2
CM-304.4	3	3	3	2	3	3	3	2	2	2
CM-304.5	3	3	3	2	3	3	3	2	3	3
Average	3	3	3	2	3	3	3	2	2.5	2

**3=Strongly mapped, 2=moderately mapped, 1=slightly mapped**

#### **Learning Outcomes:**

### **1. Introduction to Data Structures, Searching and Sorting**

#### **1.1 Understand various types of Data Structures**

- 1.1.1. Define Data Structure and classify them.
- 1.1.2. Explain Linear Data Structures.
- 1.1.3. Describe Non-Linear Data Structures.
- 1.1.4. Explain Data Types and Abstract Data Types.
- 1.1.5. Explain about Space and Time Complexity.

#### **1.2 Searching and Sorting**

##### **1.2.1 Various Sorting Techniques**

- 1.2.1.1** Define Sorting.
- 1.2.1.2 State the need of Sorting.
- 1.2.1.3 List the methods of Sorting.
- 1.2.1.4 Explain the procedure, algorithm, program and time complexity of the following Sorting techniques:
  - a) Bubble Sort,
  - b) Selection Sort,
  - c) Insertion Sort,
  - d) Quick Sort, and
  - e) Merge Sort.

##### **1.2.2 Various Searching Techniques**

- 1.2.2.1 Define searching
- 1.2.2.2 State the need of searching.
- 1.2.2.3 List two types of searching.
- 1.2.2.4 Explain the procedure, algorithm, program and time complexity of the following Searching techniques:
  - a) Linear Search,
  - b) Binary Search,



## **2. Linked Storage Representation –Linked Lists**

- 2.1. List the advantages & disadvantages of Linked Lists over Arrays.
- 2.2. State the purpose of Dummy Header.
- 2.3. Explain the following for Singly Linked List
  - Structure
  - Creation
  - How to represent a node using 'C' Structure
  - Perform insertion, deletion, traverse and sort operations
  - Perform search and replace an element
  - C Program with all operations.
- 2.4. Explain the following for Singly Circular Linked List.
  - Structure
  - Creation
  - How to represent a node using 'C' Structure
  - Perform insertion, deletion, traverse and sort operations
  - Perform search and replace an element
  - C Program with all operations.
- 2.5. Explain the following for Doubly Linked List.
  - Structure
  - Creation
  - How to represent a node using 'C' Structure
  - Perform insertion, deletion, traverse and sort operations
  - Perform search and replace an element
  - C Program with all operations.
- 2.6. Explain the following for Doubly Circular Linked List.
  - Structure
  - Creation
  - How to represent a node using 'C' Structure
  - Perform insertion, deletion, traverse and sort operations
  - Perform search and replace an element
  - C Program with all operations.
- 2.7. List the advantages of a Singly Circular Linked List over a Singly Linked List
- 2.8. Describe the changes require in a singly linked list program to make it the Singly Circular List.
- 2.9. List the advantages of a Doubly Circular Linked List over a Doubly Linked List
- 2.10. Describe the changes require in a Doubly Linked List program to make it the Doubly Circular List.

## **3. Linear Data Structures-Stacks**

- 3.1 Define Stack
- 3.2 Explain the push, pop and display operations of a Stack
- 3.3 Explain array implementation of a Stack & its operations.
- 3.4 Write the program for Array implementation of a Stack & its operations.
- 3.5 Explain Linked List implementation of a Stack & its operations.
- 3.6 Write the program for Linked List implementation of a Stack & its operations.
- 3.7 List the applications of Stacks
- 3.8 Convert Infix expression to Postfix expression
- 3.9 Write the program for Conversion of Infix expression to Postfix expression
- 3.10 Evaluate Postfix expression
- 3.11 Write the program for Evaluating Postfix expression

#### 4. Linear Data Structures-Queues

- 4.1 Define Queue
- 4.2 Explain the insertion, deletion and display operations on Queues
- 4.3 Explain array implementation of a Queue & its operations.
- 4.4 Write the program for Array implementation of a Queue & its operations.
- 4.5 Explain Linked List implementation of a Queue & its operations.
- 4.6 Write the program for Linked List implementation of a Queue & its operations.
- 4.7 Know about Circular Queues
- 4.8 Explain array implementation of a Circular Queue & its operations
- 4.9 Write the program for Array implementation of a Circular Queue & its operations
- 4.10 Explain Linked List implementation of a Circular Queue & its operations.
- 4.11 Write the program for Linked List implementation of a Circular Queue & its operations.
- 4.12 List the application of Queues
- 4.13 Know about Priority Queues

#### 5. Non-Linear Data Structures-Trees

- 5.1 Define a Tree
  - 5.1.1 Explain the terminology related to Tree (Root, Edge, Parent, Child, Siblings, Leaf, Internal nodes, Degree, Level, Height, Depth, Path, Sub tree, Forest).
- 5.2 Define Binary Tree
- 5.3 Write the differences between General Tree and Binary Tree.
- 5.4 Convert General Trees to Binary Trees
- 5.5 Explain the linear representation and linked list representation of a Binary Tree.
- 5.6 Define Binary Search Tree
- 5.7 Write differences between Binary Search Tree and Binary Tree
- 5.8 Perform various traversals on Binary Trees
- 5.9 Construct a Binary Tree using In-order and Preorder Traversals
- 5.10 Construct a Binary Tree using In-order and Post-order Traversals
- 5.11 Know the importance of Binary Search Trees over General Trees
- 5.12 Perform insertion, deletion, search and various traversal operations on a Binary Search Tree.
- 5.13 Write the program to implement Binary Search Tree operations.
- 5.14 List the Applications of trees

### COURSE CONTENT

#### 1. Introduction to Data Structures

**Data structures** – Linear & Non- linear, data types and abstract data types, algorithm analysis for time and space requirements.

**Searching & Sorting – Sorting** - Introduction to different sorting techniques –Bubble, Selection, Insertion, Quick & Merge **Searching** – Introduction to different searching techniques – Linear and Binary Search.

## 2. Linear data structures-Linked Lists

**Linked Lists** – Types - Singly Linked Lists – Create, insert, delete, sort, search and replace an element in a linked list – Singly Circular Linked Lists - Create, insert, delete, sort, search and replace an element in a linked list–Doubly Linked Lists – Create, insert, delete, sort, search and replace an element in a linked list, - Doubly Linked Lists – Create, insert, delete, sort, search and replace an element in a linked list.

## 3. Linear data structures-Stacks

**Stacks**- Implementation of stacks, application of stacks, converting infix to postfix expression and postfix expression evaluation.

## 4. Linear data structures-Queues

**Queues**–Implementation of queues- Application of queues- know about Circular queues, and Priority queue.

## 5. Non-Linear data structures-Trees

**Trees**- Trees- Trees Terminology–Binary trees –Representation – Linear and Linked list representation-Binary Search Tree-various operations-Tree Traversals-Tree Conversions& Applications

### REFERENCE BOOKS

1. Data Structures: A Pseudocode Approach with C, Gilberg / Forouzan, Course technology Inc.
2. Data Structures using 'C, Aaron m. Tanenbaum, Y Langsam and Augonstein (PHI).
3. Data structures through C, Yashwant Kanetkar, BPB Publications
4. An Introduction to data structures with applications, Tremblay & Sorenson, McGraw Hill Education
5. Data structures, Seymour Lipschitz, McGraw Hill Education.

### MODEL BLUE PRINT

S.No.	Chapter/Unit title	No.of periods	Weightage Allocated	Marks Wise Distribution of Weightage				Question wise Distribution of Weightage				CO's Mapped
				R	U	Ap	An	R	U	Ap	An	
1	Introduction to Data structures, Sequential Storage Representation	30	17	8	6	3	*	1	2	1	*	CO1
2	Linked Storage Representation-Linked Lists	16	14	3	8	3	*	1	1	1	*	CO2
3	Linear Data Structures-Stacks	14	14	3	3	8	*	1	1	1	*	CO1, CO2, CO3
4	Linear Data Structures-Queues	10	11	3	8		*	1	1		*	CO1, CO2, CO4
5	Non-Linear Data Structures-Trees	20	14	3	3	8	*	1	1	1	*	CO1, CO2, CO5
<b>Total</b>		<b>90</b>	<b>70+10*</b>	<b>20</b>	<b>28</b>	<b>22</b>	<b>10*</b>	<b>5</b>	<b>6</b>	<b>4</b>	<b>1</b>	

Note: Part-C: 10 marks single analytical question may be chosen from the chapters marked \*.

#### Table specifying the scope of syllabus to be covered for unit tests

Unit Test	Learning outcomes to be covered
Unit test-1	From 1.1 to 2.7
Unit test-2	From 3.1 to 5.14

**DIPLOMA IN COMPUTER ENGINEERING**  
**MODEL PAPER**  
**Data Structures through C**  
**UNIT TEST-1**

**SCHEME: C-20**  
**MAX MARKS:40**

**SUBJ CODE: CM-304**  
**TIME: 90 MINUTES**

**PART-A**

**16Marks**

**Instructions:**1) Answer all questions  
2) First question carries 4marks, and remaining carries  
3 marks each

1. a) Array is a non-linear Data Structure. (True/False) (CO1)
- b) Re-arranging of adjacent elements followed in \_\_\_\_\_ type of sorting. (CO1)
- c) Single Linked List node consists of \_\_\_\_\_ number of fields. (CO2)
- d) Which one of the following is not a sorting technique [ ] (CO1)  
i) Merge II) Bubble III) Binary IV) Quick
- 2) Define the terms sorting and searching. (CO1)
- 3) List any three Linear Data Structures. (CO1)
- 4) Give the represent of Singly circular Linked list with three nodes. (CO2)
- 5) Distinguish between Singly Linked list and doubly linked list. (CO2)

**PART-B**

**3X8=24Marks**

**Instructions:**1) Answer all questions  
2) Each question carries 8 Marks  
3) Answer should be comprehensive and the criterion for valuation is the content but  
not the length of the answer

6. a) Explain Bubble sort technique. (CO1)  
(Or)
- b) Explain Quick Sort technique. (CO1)
7. a) Explain Binary Search technique using Recursion. (CO1)  
(Or)
- b) Write a C program to implement Singly Linked list operations. (CO2)
8. a) Write a C program to implement Doubly Linked list operations. (CO2)  
(Or)
- b) Explain Circular Doubly Linked List operations. (CO2)

**BOARD DIPLOMA EXAMINATIONS  
DIPLOMA IN COMPUTER ENGINEERING  
MODEL PAPER - END EXAMINATION  
Data Structures through C**

**SCHEME: C-20  
MAX MARKS: 80**

**SUBJ CODE: CM-304  
TIMES: 3 HOURS**

**PART - A**

**Answer all the Questions. Each Question Carries 3 marks**

1. Define the terms Linear Data Structure and Non-Linear Data Structure. (CO1)
2. List the abstract Data Types. (CO1)
3. Define Space and Time Complexities. (CO1)
4. List any three operations of Linked List. (CO2)
5. Write the structure code for declaring Doubly circular Linked List. (CO2)
6. Convert the following infix expression into postfix expression:  $a+b*c/d^e$ . (CO3)
7. List the applications of stacks. (CO3)
8. Define Priority Queue. (CO4)
9. Write differences between Binary Tee and Binary Search Tree. (CO5)
10. Define the terms root, Leaf and internal node. (CO5)

**PART-B**

**Answer all the Questions. Each Question Carries 8 marks**

11. Explain the method of Bubble Sort. (CO1)  
Or  
Write a C program for Binary Search using Recursion. (CO1)
12. Write a C Program to Implement Single Linked List operations. (CO2)  
Or  
Write a C Program to implement Double Linked List operations. (CO2)
13. Explain Linked list implementation of Stack operations. (CO3)  
Or  
Write a C program for Evaluation of Post Fix expression using Stacks. (CO3)
14. Explain all the operations of Circular Queues. (CO4)  
Or  
Write a C Program for implementation of Queues using linked lists. (CO4)
15. Explain the Linear representation and Linked representation of Binary Tree. (CO5)  
Or  
Explain the steps involving in converting a general tree into binary tree. (CO5)

**PART-C**

**10 marks**

16. Identify suitable data structure for representing a polynomial and justify your answer. (CO5)

Course code	Course Title	No. of Periods/Weeks	Total No. of periods	Marks for FA	Marks for SA
CM-305	DBMS	6	90	20	80

S.No.	Chapter/Unit Title	No.of Periods	CO's Mapped
1.	Concepts of DBMS & RDBMS	18	CO1
2.	Concepts of SQL	22	CO2
3.	Basics of PL/ SQL	18	CO3
4.	Advanced PL/SQL	16	CO4
5.	Concepts of NoSQL & MongoDB.	16	CO5
Total Periods		90	

<b>Course Objectives</b>	Upon completion of the course the student shall be able
	i)To know the fundamentals of DBMS ii)To familiarize insert, retrieve, update, delete data in database iii)To familiarize programming skills for insert, retrieve, update, delete data in database

<b>Course Out comes</b>	Upon completion of the course the student shall be able		
	CO1	CM-305.1	Describe fundamentals, types and Overall structure of DBMS.
	CO2	CM-305.2	Apply SQL commands to create, retrieve, update, delete data from the Relational data bases.
	CO3	CM-305.3	Describe PL/SQL programming constructs, control statements and sub programs.
	CO4	CM-305.4	Apply cursors, triggers and Exception handling concepts.
	CO5	CM-305.5	Use NOSQL database concepts and MongoDB data base concepts in designing database Schema.

### CO-PO/PSO MATRIX

CO NO.	PO1	PO2	PO3	PO4	PO5	PO6	PO7	PSO1	PSO2	PSO3
CM-305.1	3	2	2	2	2	3	2	2	3	1
CM-305.2	2	3	3	3	3	3	3	2	1	2
CM-305.3	3	2	2	2	1	3	2	2	1	1
CM-305.4	1	3	3	2	2	3	3		3	3
CM-305.5	3	1	3	1	3	3	2	2	2	3
Average	2.4	2.2	2.6	2	2.2	3	2.8	2	2	2

**3=Strongly mapped, 2=moderately mapped, 1=slightly mapped**

#### **Learning Outcomes:**

**At the end of the syllabus students should be able to**

#### **1.0 Concepts of DBMS &RDBMS**

- 1.1 Define Database Management System(DBMS)
- 1.2 List the advantages of DBMS
- 1.3 Explain Database Abstraction, Data Independence
- 1.4 Define Instances and Schemas
- 1.5 Explain Data Models.
- 1.6 Define Database languages DDL, DML, TCL
- 1.7 Explain Database Administrator, Users and Database System Architecture with diagram.
- 1.8 Define the terms Entity, Entity sets, Relationship, Relationship sets,
- 1.9 Explain Super Key, Candidate Key and Primary Key, Foreign Key
- 1.10 Explain Mapping Cardinalities.
- 1.11 List the symbols used in ER model.
- 1.12 Explain the Entity-Relationship Model.
- 1.13 Reduce the ER-diagrams to tables
- 1.14 Explain Generalization, Specialization &Aggregation.
- 1.15 Explain Function Dependencies, Normalizations– 1 NF, 2 NF and 3NF
- 1.16 Explain E.F.CODD's rules for RDBMS

#### **2.0 Concepts of SQL**

- 2.1 Explain SQL and benefits of SQL.
- 2.2 Describe about Embedded SQL and Lexical conventions
- 2.3 Describe Naming of the Objects and parts and how to refer them.
- 2.4 Explain literals &different data types like character, number, long, date, raw and long raw etc.
- 2.5 Illustrate the comments within SQL Statement.
- 2.6 Explain SQL Operators.
- 2.7 Describe Data Definition Language commands CREATE, ALTER and DROP.
- 2.8 Explain integrity constraints in creating a table and altering table.
- 2.9 Describe Data Manipulation Language commands INSERT, UPDATE and DELETE
- 2.10 Explain SELECT statement with WHERE, ORDER BY, GROUP BY and HAVING clauses with examples.



- 2.11 List and explain single row (Number, character, date and conversion) functions.
- 2.12 List and Explain group functions.
- 2.13 Explain Transaction Control Commands COMMIT, SAVEPOINT, ROLLBACK, GRANT, and REVOKE with examples.
- 2.14 Explain Sub Queries with examples.
- 2.15 Explain Joins (Equi Join, Non-Equi Joins, Inner Join, Outer Join, cross join and Self join) with syntax and examples.

### **3.0 PL/SQL**

- 3.1 Explain PL/SQL Block structure.
- 3.2 List the features of PL/SQL
- 3.3 Explain the data types of PL/SQL
- 3.4 Illustrate declarations and naming conventions of variables
- 3.5 Explain PL/SQL tables and user defined records.
- 3.6 Explain Input/Output statements.
- 3.7 Explain decision making statements with examples (IF... THEN,IF.THEN.ELSE,IF.HEN.ELSE.IF,CASE,GOTO)
- 3.8 Explain looping statements and illustrate (Simple loop, While loop, For loop).
- 3.9 Explain procedure with syntax and examples.
- 3.10 Explain function with syntax and examples.
- 3.11 Describe the advantages of subprograms.
- 3.12 Explain handling procedures with example programs.
- 3.13 Explain handling functions with example programs.
- 3.14 Explain the parameter modes in PL/SQL with examples (in, out and in out)
- 3.15 Define Recursion
- 3.16 Explain Recursion with example programs.

### **4.0 Advanced PL/SQL**

- 4.1 Define cursor.
- 4.2 Classify cursors.
- 4.3 Explain implicit cursor with examples.
- 4.4 Explain explicit cursors with examples.
- 4.5 Define trigger.
- 4.6 List Advantages of triggers.
- 4.7 Explain database triggers.
- 4.8 Define the term Exception handling
- 4.9 List the advantages of Exception handling
- 4.10 List the types of Exceptions.
- 4.11 Illustrate built-in Exceptions
- 4.12 Illustrate User defined Exceptions
- 4.13 Explain propagation and re-raising of exceptions.

### **5.0 Concepts of No SQL& Mongo DB.**

- 5.1 No SQL
  - 5.1.1 Explain the classification of Databases: RDBMS, OLAP, NoSQL.
  - 5.1.2 State the need of No SQL& its purpose
  - 5.1.3 Compare RDBMS and No SQL
  - 5.1.4 List the Advantages and Disadvantages of No SQL
  - 5.1.5 Explain about the ACID and BASE system.
  - 5.1.6 Compare ACID and BASE properties

- 5.1.7 Classify No SQL as Key-value stores, Column-oriented, Graph and Document oriented Databases.
- 5.1.8 Explain about Key-value stores Databases, Column-oriented Databases, Graph Databases, Document oriented Databases with examples.
- 5.2 Mongo DB
  - 5.2.1 What is the purpose of mongoDB.
  - 5.2.2 List the advantages of Mongo DB.
  - 5.2.3 Explain the Creation, Dropping, Creation of Collection & Dropping of Collection of Database in Mongo DB
  - 5.2.4 Explain the Data types of Mongo DB.
  - 5.2.5 Explain Inserting Document, Query Document, Update Document, Deleting Document & Sorting Document with examples

## **COURSE CONTENT**

### **1. Concepts of DBMS & RDBMS**

Define DBMS – Purpose of DBMS - Data Abstraction – Data Models – Instances and Schemas – Data Independence – Data Definition Language - Data Manipulation Language – Database Administrator - Database Users – Database system Structure.

Entities – Relationships and Relationship sets – Mapping constraints – Entity – Relationship Diagram – Super key , Candidate key and Primary key - Reducing E- R Diagrams to tables – Generalization and Specialization – Aggregation – Functional Dependencies - Normal forms 1NF , 2 NF , 3 NF- E.F.CODD’s rules for RDBMS

### **2. Concepts of SQL**

Benefits of SQL – Embedded SQL – Lexical conventions – Naming objects and parts – Referring objects and parts – Literals – Text – Integer – Number – Data types – Character data types – Number data type – Long data type – Raw and Long Raw data types – Pseudo columns – comments within SQL statements – comments on schema objects.

Operators – Unary and Binary operators – Precedence- Arithmetic operators – character operators – comparison operators – logical operators- set operators – other operators – DDL Commands – Integrity Constraints – DML Commands - functions – single row functions – numeric functions – character functions – date functions – conversion functions – other functions- Group functions. Transaction control commands-Sub queries - Joins.

### **3. Basics of PL/SQL**

Main features – architecture – advantage of PL/SQL – fundamentals – character set – Lexical units – Data types – data type conversion – declarations – naming conventions – scope and visibility – assignments – expressions and comparisons – PL/SQL tables – user defined records.

Conditional control- IF statement – sequential control- GOTO and NULL statements. SQL support – national language support – Remote Access

Advantages of subprograms – procedures – Functions RETURN statement – forward declarations – actual versus formal parameters – positional and named notation - parameter modes – recursion

#### 4. Advanced PL/SQL

Cursors – Implicit cursor – Explicit cursor – Triggers – Advantages - creating trigger – raising trigger - Advantages of Exceptions – predefined Exceptions – user defined Exceptions .

#### 5. Concepts of No SQL& Mongo DB

Classification of Databases : RDBMS, OLAP, No SQL.-Introduction to No SQL- need for No SQL – Comparison of RDBMS and No SQL- Advantages and Disadvantages of NoSQL - BASE system – ACID System – Comparison of ACID and BASE properties – Classification of NoSQL as Key-value stores, Column-oriented, Graph and Document oriented Databases - Key-value stores Databases - Column-oriented Databases - Graph Databases - Document oriented Databases

Introduction to Mongo DB - advantages of Mongo DB - applications of Mongo DB - Installation of Mongo DB - Creation of Database - Dropping of Database - Creation of Collection - Dropping of Collection - Data types of Mongo DB - different Commands of Mongo DB - Inserting Document - Query Document - Updating Document – Deleting Documents - Sorting Documents

#### REFERENCE BOOKS

1. Database System Concepts, Silberschatz, Henry F. Korth, S. Sudarshan- Mc Graw Hill Publications.
2. Oracle Database 11g: The Complete Reference, Kevin Loney-Oracle Press.
3. Fundamentals of Database Systems, Shamkant B. Navathe-Pearson
4. Understanding ORACLE, James T. Peary & Joseph G. Laseer- SybexInc.U.S..
5. RDBM with ORACLE, Rolland- Addison Wesley.
6. ORACLE series books of ORACLE Press– TMH.
7. Starting out with Oracle, Covering Databases, John Day & CraigVan- Dream Tech.
8. PL/SQL, Developer Tools & DBA, Slyke-Dreamtech.
9. [www.nosql-database.org](http://www.nosql-database.org)
10. [www.mongodb.org](http://www.mongodb.org)

### MODEL BLUE PRINT

S.No.	Chapter/Unit title	No.of periods	Weightage Allocated	Marks Wise Distribution of Weightage				Question wise Distribution of Weightage				CO's Mapped
				R	U	Ap	An	R	U	Ap	An	
1	Concepts of DBMS & RDBMS	18	14	6	8		*	2	1		*	CO1
2	Concepts of SQL	22	14	3	8	3		2	1			CO2
3	Basics of PL/SQL	18	14	6	8		*	2	1		*	CO3
4	Advance PL/SQL	16	14	6	8		*	2	1		*	CO4
5	Concepts of NoSQL & MongoDB.	16	14	6	8		*	2	1		*	CO5
	<b>Total</b>	<b>90</b>	<b>70+(10*)</b>	<b>27</b>	<b>40</b>	<b>3</b>	<b>10*</b>	<b>10</b>	<b>5</b>		<b>1</b>	

Note: Part-C: 10 marks single analytical question may be chosen from any chapters marked with \*.

#### Table specifying the scope of syllabus to be covered for unit tests

Unit Test	Learning outcomes to be covered
Unit test-1	From 1.1 to 3.7
Unit test-2	From 3.8 to 5.2

**DIPLOMA IN COMPUTER ENGINEERING  
MODEL PAPER  
DBMS  
UNIT TEST-1**

**SCHEME: C-20  
MAX MARKS:40**

**SUBJ CODE:CM-305  
TIME: 90 MINUTES**

---

**PART-A**

**16Marks**

**Instructions:**1) Answer all questions

2) First question carries 4marks, and remaining carries 3 marks each

1. a) File system is more advantageous than DBMS. (True/False) (CO1)
- b) Entity is defined as ..... (CO1)
- c) Full form of DML is ..... (CO1)
- d) Which one of the following is not a Database Language [ ] (CO1)
  - i) DML II) DDL III) TCL IV) TLL
- 2) Define Instance & Schema. (CO1)
- 3) List any three data types in SQL. (CO2)
- 4) Write the syntax for CREATE command in SQL. (CO2)
- 5) List the features of PL/SQL. (CO3)

**PART-B**

**3X8=24Marks**

**Instructions:**1) Answer all questions

2) Each question carries 8 Marks

3) Answer should be comprehensive and the criterion for valuation is the content but not the length of the answer

6. a) Explain Database System Architecture (CO1)

(Or)

b) Explain Generalization, Specialization and Aggregation (CO1)
7. a) Explain ER diagram with an example. (CO1)

(Or)

b) Explain any two Joins in SQL. (CO2)
8. a) Explain CASE statement with syntax and example. (CO3)

(Or)

b) Explain FOR Loop with syntax and example PL/SQL program (CO3)

**BOARD DIPLOMA EXAMINATIONS  
DIPLOMA IN COMPUTER ENGINEERING  
MODEL PAPER - END EXAMINATION  
DBMS**

**SCHEME: C-20  
MAX MARKS: 80**

**SUBJ CODE: CM-305  
TIME: 3 HOURS**

**PART-A**

**10x3=30M**

**Instructions:**

1. Answer **all** questions.
2. Each question carries **Three** marks.
3. Answers should be brief and straight to the point and should not exceed five simple sentences.

1. Define Database Management System. (CO1)
2. Define Primary Key. (CO1)
3. List DML commands. (CO2)
4. Write a SQL Query to retrieve maximum value from sal column of employee table. (CO2)
5. List any three features of PL/SQL. (CO3)
6. What is Recursion. (CO3)
7. Define Cursor. (CO4)
8. List any three Built-in Exceptions. (CO4)
9. Compare features of RDBMS with that of NoSQL. (CO5)
10. List any three advantages of MongoDB. (CO5)

**PART-B**

**5x8=40M**

- Instructions :** 1. Each question carries **EIGHT** marks.  
2. Answers should be comprehensive and criteria for valuation is the content but not the length of the answer.

11. A) Explain Database System Architecture (CO1)  
OR  
B) Explain Generalization, Specialization and Aggregation (CO1)
12. A) Explain group handling functions with syntax and example (CO2)  
OR  
B) Explain Joins in SQL (CO2)
13. A) Write a PL/SQL procedure to find biggest of three given numbers. (CO3)  
OR  
B) Write a PL/SQL program to find factorial of a given number using recursion. (CO3)
14. A) Explain Implicit cursors in PL/SQL (CO4)  
OR  
B) Explain Trigger in PL/SQL with example. (CO4)
15. A) Explain Column-oriented Databases in NoSQL. (CO5)  
OR  
B) Explain Inserting Document in MongoDB. (CO5)

**PART – C**

**1x10 = 10M**

16. Design a PL/SQL block that will keep track the audit information. (CO4)

Course Code	Course title	No of periods/week	Total no of periods	Marks for FA	Marks for SA
CM-306	Digital Electronics lab	3	45	40	60

S No	Chapter/ Unit Title	No. of Periods	COs Mapped
1	Logic Gates	10	CO1
2	Combinational logic circuits	10	CO2
3	Sequential Logic Circuits	15	CO3
4	Additional combination circuits	10	CO4
	TOTAL	45	

<b>Course Objectives</b>	Upon completion of the course the student shall be able to
	<ol style="list-style-type: none"> <li>1. To construct different combinational, sequential logic circuits and obtain truth tables.</li> <li>2. To simulate combinational and sequential logic circuits using simulation software</li> <li>3. To learn the practical importance of Digital Electronic Circuits.</li> </ol>

<b>Course Outcomes</b>	Upon completion of the course the student shall be able to		
	CO1	CM-306.1	Demonstrate the truth tables of logic gates
	CO2	CM-306.2	Design combinational logic circuits and verify truth tables.
	CO3	CM-306.3	Design Sequential logic circuits and verify with truth tables.
	CO4	CM-306.4	Construct Additional combinational circuits

### CO-PO/PSO Matrix:

CO NO.	PO1	PO2	PO3	PO4	PO5	PO6	PO7	PSO1	PSO2	PSO3
CM-306.1	2	2	3	3	1	2	1	2	3	1
CM-306.2	2	2	3	3	2	2	1	2	3	1
CM-306.3	2	2	3	3	2	2	1	2	3	1
CM-306.4	2	2	3	3	2	2	2	2	3	2
Average	2	2	3	3	1.75	2	1.25	2	3	1.25

3=Strongly mapped, 2=moderately mapped, 1=slightly mapped

### LEARNING OUTCOMES:

#### **Logic Gates**

1. Identification of Digital ICs and noting down pin details from data sheets. Identify the given digital ICs and draw the pin diagrams. (Use TTL and CMOS ICs of AND, OR, NOT, NAND, NOR and XOR gates with two and three inputs).
2. Verify the truth tables of AND, OR, NOT, NAND, NOR, XOR Gates.
3. Realize AND, OR, NOT, XOR gates using 2 input NAND and NOR Gates.
4. Verify DE Morgan's Laws using given digital trainer kit and given TTL gates.

#### **Combinational logic circuits**

5. Implement Half adder circuit using TTL/CMOS gates, and verify the truth tables.
6. Implement Full adder circuits using TTL/CMOS gates, and verify the truth tables.
7. Verify parallel adder using simulator software.
8. Verify the function of 4-bit magnitude comparator 7485 IC.

#### **Sequential Logic Circuits**

9. Verify the truth tables RS, JK, T and D Flip-flops.
10. Construct a ripple counter using JK-FFs and obtain its timing waveforms.
11. Verify the function of 7490 as decade and modulus counter, obtain timing waveforms.
12. verify the function of up/down counter using 74190/ 74193, change the modulus of the counter and verify.
13. To construct and verify the function of mod-16 Synchronous counters.
14. Verify the function of shift register (ICs like 7495, 74194 etc.).

#### **Additional Combinational logic circuits**

15. Verify the truth table of Multiplexer IC 74153.
16. Verify the truth table of BCD to 7 segment Decoder 7448 IC.
17. Verify the Truth table of 74148 Encoder & 74138 Decoder IC.



**Time Schedule:**

<b>Sno</b>	<b>Experiment Name</b>	<b>Allotted Periods</b>
1	Identification of Digital ICs and noting down pin details from data sheets. Identify the given digital ICs and draw the pin diagrams. (Use TTL and CMOS ICs of AND, OR, NOT, NAND, NOR and XOR gates with two and three inputs).	3
2	Verify the truth tables of AND, OR, NOT, NAND, NOR, XOR Gates.	
3	Realize AND, OR, NOT, XOR gates using 2 input NAND and NOR Gates.	3
4	Verify DE Morgan's Laws using given digital trainer kit and given TTL gates.	3
5	Implement Half adder circuit using TTL/CMOS gates, and verify the truth tables.	3
6	Implement Full adder circuits using TTL/CMOS gates, and verify the truth tables.	
7	Verify parallel adder using simulator software.	3
8	Verify the function of 4-bit magnitude comparator 7485 IC.	3
9	Verify the truth tables RS, JK, T and D Flip-flops.	3
10	Construct a ripple counter using JK-FFs and obtain its timing waveforms.	3
11	Verify the function of 7490 as decade and modulus counter, obtain timing waveforms.	3
12	verify the function of up/down counter using 74190/ 74193, change the modulus of the counter and verify.	3
13	To construct and verify the function of mod-16 Synchronous counters.	3
14	Verify the function of shift register (ICs like 7495, 74194 etc.).	3
15	Verify the truth table of Multiplexer IC 74153.	3
16	Verify the truth table of BCD to 7 segment Decoder 7448 IC.	3
17	Verify the Truth table of 74148 Encoder & 74138 Decoder IC.	3

<b>DIGITAL ELECTRONICS LAB OBJECTIVES AND KEY COMPETENCIES</b>			
<b>Sl.No</b>	<b>Name of the Experiment</b>	<b>Objectives</b>	<b>Key Competencies</b>
1	Identification of Digital ICs and noting down pin details from data sheets. Identify the given digital ICs and draw the pin diagrams. (Use TTL and CMOS ICs of AND, OR, NOT, NAND, NOR and XOR gates with two and three inputs).	Identify various ICs and their specification a. OR gate b. AND gate c. NAND gate d. NOR gate e. XOR gate	❖ Familiarization of ICs
2	Verify the truth tables of AND, OR, NOT, NAND, NOR, XOR Gates.	Use various inputs and identify the outputs of various gates a. OR gate b. AND gate c. NAND gate d. NOR gate e. XOR gate	❖ Verification of outputs as per the designated inputs for various gates ❖ Familiarization of ICs ❖ Usage of Bread boards ❖ Usage of connectors ❖ Usage of simulator software (or) Digital trainer kits
3	Realize AND, OR, NOT, XOR gates using 2 input NAND and NOR Gates.	Use NAND and NOR gates (known as the universal gate) implementation of : a. AND using NAND b. AND using NOR c. OR using NAND d. OR using NOR e. NOT using NAND f. NOT using NOR	❖ Verification of outputs as per the designated inputs for combinatorial circuits. ❖ Familiarization of IC ❖ Usage of Bread boards ❖ Usage of connectors ❖ Usage of simulator software (or) Digital trainer kits
4	Verify DE Morgan's Laws using given digital trainer kit and given TTL gates.	I. Make the connections according to the circuit diagram. II. Verify De-Morgan's theorem for two variables III. Realize sum of product(SOP) and product of sum (POS) expressions IV. Verify the truth table for different values.	❖ Verification outputs as per the designated inputs for demorgan's theorem ❖ To verify POS and SOP ❖ To verify truth tables. ❖ Usage of Bread boards ❖ Usage of connectors ❖ Usage of simulator software (or) Digital trainer kits
5	Implement Half adder circuit using TTL/CMOS	I. Design, realize and verify the adder circuits using basic gates	❖ Verification of outputs as per the designated inputs for Half

<b>DIGITAL ELECTRONICS LAB OBJECTIVES AND KEY COMPETENCIES</b>			
<b>Sl.No</b>	<b>Name of the Experiment</b>	<b>Objectives</b>	<b>Key Competencies</b>
	gates, and verify the truth tables.	and universal gates. II. Verify the truth table.	adder circuits as per truth table ❖ Understand TTL , CMOS families. ❖ Usage of Bread boards ❖ Usage of connectors ❖ Usage of simulator software (or) Digital trainer kits
6	Implement Full adder circuits using TTL/CMOS gates, and verify the truth tables.	I. Design, realize and verify the adder circuits using basic gates and universal gates. II. Design, realize and verify full adder using two half adders. III. Verify the truth table.	❖ Verification of outputs as per the designated inputs for Full adder circuits as per truth table ❖ Understand TTL , CMOS families. ❖ Usage of Bread boards ❖ Usage of connectors ❖ Usage of simulator software (or) Digital trainer kits
7	Verify parallel adder using simulator software.	I. Make the connections as per the logic diagram. II. Connect +5v and ground according to pin configuration. III. Apply diff combinations of inputs to the i/p terminals. IV. Note o/p for summation. V. Verify the truth table.	❖ Verification of outputs as per the designated inputs for Parallel adder circuits as per truth table ❖ Familiarization of IC 7483 ❖ Usage of Bread boards ❖ Usage of connectors ❖ Usage of simulator software (or) Digital trainer kits
8	Verify the function of 4-bit magnitude comparator 7485 IC.	I. Make the connections according to the circuit diagram. II. The output is high if both the inputs are equal. III. Verify the truth table for different values.	❖ Verification of outputs as per the designated inputs for 4-bit magnitude comparator circuits as per truth table ❖ Familiarization of IC 7485 ❖ Usage of Bread boards ❖ Usage of connectors ❖ Usage of simulator software (or) Digital trainer kits
9	Verify the truth tables RS, JK, T and D Flip-flops.	I. Connect the circuit II. Apply VCC & ground signal to every IC. III. Observe the input & output according to the truth table.	❖ Usage of various flipflops ❖ Usage of Bread boards ❖ Usage of connectors ❖ Usage of simulator software

<b>DIGITAL ELECTRONICS LAB OBJECTIVES AND KEY COMPETENCIES</b>			
<b>Sl.No</b>	<b>Name of the Experiment</b>	<b>Objectives</b>	<b>Key Competencies</b>
			(or) Digital trainer kits
10	Construct a ripple counter using JK-FFs and obtain its timing waveforms.	I. Connect the circuit II. Apply VCC & ground signal to every IC. III. Observe the input & output according to the truth table. IV. Obtain the timing waveform	<ul style="list-style-type: none"> <li>❖ Verification of outputs of Ripple clunter</li> <li>❖ Usage of JK FFs</li> <li>❖ Usage of Bread boards</li> <li>❖ Usage of connectors</li> <li>❖ Usage of simulator software</li> <li>(or) Digital trainer kits</li> </ul>
11	Verify the function of 7490 as decade and modulus counter, obtain timing waveforms.	I. Make the connections according to the circuit diagram. II. Verify the truth table for different values. III. Obtain the Timing waveform	<ul style="list-style-type: none"> <li>❖ Familiarization of IC 7490</li> <li>❖ Usage of Bread boards</li> <li>❖ Usage of connectors</li> <li>❖ Usage of simulator software</li> <li>(or) Digital trainer kits</li> </ul>
12	verify the function of up/down counter using 74190/ 74193, change the modulus of the counter and verify.	I. Connect the circuit. II. Apply VCC & ground signal to every IC. III. Observe the input & output according to the truth table.	<ul style="list-style-type: none"> <li>❖ Usage of IC 74190/74193</li> <li>❖ Usage of Bread boards</li> <li>❖ Usage of connectors</li> <li>❖ Usage of simulator software</li> <li>❖ (or) Digital trainer kits</li> </ul>
13	To construct and verify the function of mod-16 Synchronous counters.	I. Make the connections as per the logic diagram. II. Connect VCC and ground according to pin configuration. III. Apply diff combinations of inputs to the i/p terminals. IV. Note o/p for summation. V. Verify the truth table.	<ul style="list-style-type: none"> <li>❖ Implement mod-16 synchronous counter</li> <li>❖ Understanding the propose of VCC and Ground.</li> <li>❖ Usage of Bread boards</li> <li>❖ Usage of connectors</li> <li>❖ Usage of simulator software</li> <li>❖ (or) Digital trainer kits</li> </ul>
14	Verify the function of shift register (ICs like 7495, 74194 etc.).	I. Make the connections according to the circuit diagram. II. Verify the truth table for different values.	<ul style="list-style-type: none"> <li>❖ Implement shift register.</li> <li>❖ Demonstration usage d of ICs 7495,74194</li> <li>❖ Usage of Bread boards</li> <li>❖ Usage of connectors</li> <li>❖ Usage of simulator software</li> <li>(Or) Digital trainer kits</li> </ul>

<b>DIGITAL ELECTRONICS LAB OBJECTIVES AND KEY COMPETENCIES</b>			
<b>Sl.No</b>	<b>Name of the Experiment</b>	<b>Objectives</b>	<b>Key Competencies</b>
15	Verify the truth table of Multiplexer IC 74153.	I. Fix the IC's on the bread board & give the input supply. II. Make connection according to the circuit. III. Give select signal and strobe signal at respective pins. IV. Connect +5 v VCC supply at pin no 24 & GND at pin no 12. V. Verify the truth table for various inputs.	<ul style="list-style-type: none"> <li>❖ Implementing Multiplexers.</li> <li>❖ Familiarization of IC 74153</li> <li>❖ Usage of Bread boards</li> <li>❖ Usage of connectors (or) Digital trainer kits</li> </ul>
16	Verify the truth table of BCD to 7 segment Decoder 7448 IC.	III. Make the connections according to the circuit diagram. IV. Verify the truth table for different values.	<ul style="list-style-type: none"> <li>❖ Implementing BCD 7 segment Decoder.</li> <li>❖ Familiarization of IC 7448</li> <li>❖ Usage of Bread boards</li> <li>❖ Usage of connectors</li> <li>❖ Usage of simulator software (Or) Digital trainer kits</li> </ul>
17	Verify the Truth table of 74148 Encoder & 74138 Decoder IC.	I. Make the connections according to the circuit diagram. II. Verify the truth table for different values.	<ul style="list-style-type: none"> <li>❖ Implementing Encoder and Decoder.</li> <li>❖ Familiarization of IC 74148 &amp; 74138</li> <li>❖ Usage of Bread boards</li> <li>❖ Usage of connectors</li> <li>❖ Usage of simulator software (or) Digital trainer kits</li> </ul>

NOTE: 1) The student can implement above experiments either by using hardware components or by simulators to get acquaintance to various digital electronic experiments

2) Emphasis should be given to make use of IC trainers and bread boards to get acquainted with experience of using individual physical components at least for 50 percent of above experiments

Course Code	Course Title	No. of periods/week	Total No. of periods	Marks for FA	Marks for SA
CM-307	Data Structures Through C Lab	6	90	40	60

S.No.	Chapter/Unit Title	No.of Periods	CO's Mapped
1.	Introduction to Data structures Sequential Storage Representation	24	CO1
2.	Linked Storage Representation-Linked Lists	24	CO2
3.	Linear Data Structures-Stacks	15	CO1, CO2, CO3
4.	Linear Data Structures-Queues	18	CO1, CO2, CO4
5.	Non-Linear Data Structures-Trees	9	CO1, CO2, CO5
<b>Total Periods</b>		<b>90</b>	

<b>Course Objectives</b>	At the end of the course students will be able to
	i)To know the various types of Data Structures ii)To familiarize with the representation of Data Structures iii)To use various Data structures in organizing data iv)To reinforce theoretical concepts by writing relevant programs

<b>Course Outcomes</b>	Upon completion of the course the student shall be able to		
	CO1	CM-307.1	Execute C programs on sorting and searching techniques
	CO2	CM-307.2	Develop C programs on the various Linked Lists operations.
	CO3	CM-307.3	Design C programs on the operations of Stack data structure
	CO4	CM-307.4	Execute C programs on the operations of Queue data structure
	CO5	CM-307.5	Write C programs on the operations of Binary Trees

### CO-PO/PSO MATRIX

CO NO.	PO1	PO2	PO3	PO4	PO5	PO6	PO7	PSO1	PSO2	PSO3
CM-307.1	3	3	3	2	3	3	3	2	2	2
CM-307.2	3	3	3	1	2	2	2	1	1	1
CM-307.3	3	3	3	2	3	3	2	3	3	3
CM-307.4	3	3	3	2	3	2	3	2	2	2
CM-307.5	3	3	3	2	3	3	2	2	2	2
Average	3	3	3	1.8	2.8	2.6	2.4	2	2	2

3=Strongly mapped , 2=moderately mapped, 1=slightly mapped

**Learning out comes:**

#### **Write C Program to Implement**

1. BUBBLE SORTING using Functions.
2. SELECTION SORTING using Functions.
3. INSERTION SORTING using Functions.
4. MERGE SORTING on two sorted list using Functions.
5. QUICK SORTING using Functions.
6. LINEAR SEARCHING using Functions.
7. BINARY SEARCHING with-out RECURSION.
8. BINARY SEARCHING with RECURSION.
9. SINGLY LINKED LIST with insert, delete, display, sort, find and replace operations.
10. SINGLY CIRCULAR LINKED LIST with insert, delete, display, sort, find and replace operations.
11. DOUBLY LINKED LIST with insert, delete, display, sort, find and replace operations.
12. DOUBLY CIRCULAR LINKED LIST with insert, delete, display, sort, find and replace operations
13. STACK with insertion, deletion and display operations using arrays.
14. STACK with insertion, deletion and display operations using linked lists.
15. Conversion of arithmetic expression to post-fix expression using STACKS.
16. Evaluation of post-fix expression using STACKS.

17. QUEUES with insertion, deletion and display operations using arrays.
18. QUEUES with insertion, deletion and display operations using linked lists.
19. CIRCULAR QUEUE with insertion, deletion and display operations using arrays.
20. CIRCULAR QUEUE with insertion, deletion and display operations using Linked List.
21. BINARY SEARCH TREE with insertion, deletion, various traversals and search operations.

**Time Schedule:**

Sno	Experiment Name	Allotted Periods
1	BUBBLE SORTING using Functions.	3
2	SELECTION SORTING using Functions.	3
3	INSERTION SORTING using Functions.	3
4	MERGE SORTING on two sorted list using Functions.	3
5	QUICK SORTING using Functions.	3
6	LINEAR SEARCHING using Functions.	3
7	BINARY SEARCHING with-out RECURSION.	3
8	BINARY SEARCHING with RECURSION.	3
9	SINGLY LINKED LIST with insert, delete, display, sort, find and replace operations.	6
10	SINGLY CIRCULAR LINKED LIST with insert, delete, display, sort, find and replace operations.	6
11	DOUBLY LINKED LIST with insert, delete, display, sort, find and replace operations.	6
12	DOUBLY CIRCULAR LINKED LIST with insert, delete, display, sort, find and replace operations	6
13	STACK with insertion, deletion and display operations using arrays.	3
14	STACK with insertion, deletion and display operations using linked lists.	6
15	Conversion of arithmetic expression to post-fix expression using STACKS.	3
16	Evaluation of post-fix expression using STACKS.	3
17	QUEUES with insertion, deletion and display operations using arrays.	3
18	QUEUES with insertion, deletion and display operations using linked lists.	6
19	CIRCULAR QUEUE with insertion, deletion and display operations using arrays.	3
20	CIRCULAR QUEUE with insertion, deletion and display operations using Linked List.	6
21	BINARY SEARCH TREE with insertion, deletion, various traversals and search operations.	9



**DATA STRUCTURES LAB OBJECTIVES AND KEY COMPETENCIES**

Sl.No	Name of the Experiment	Objectives	Key Competencies
1	Exercise on bubble sort	Write a C program for i. Implementing Bubble sort ii. Printing the list after every pass iii. Printing the list after Bubble sort is performed	<ul style="list-style-type: none"> <li>❖ Correct syntactical errors</li> <li>❖ Debug logical errors</li> <li>❖ Observe whether Bubble sort algorithm is properly implemented</li> <li>❖ Check whether the sorted list is generated after the Bubble sort is performed for the given unordered list</li> <li>❖ Check the efficiency of the program if the given list is almost sorted</li> </ul>
2	Exercise on Selection sort	Write a C program for i. Implementing selection sort ii. Printing the list after every pass iii. Printing the list after selection sort is performed	<ul style="list-style-type: none"> <li>❖ Correct syntactical errors</li> <li>❖ Debug logical errors</li> <li>❖ Observe whether selection sort algorithm is properly implemented</li> <li>❖ Check whether the sorted list is generated after the selection sort is performed for the given unordered list</li> </ul>
3	Exercise on insertion sort	Write a C program for i. Implementing insertion sort ii. Printing the list after every pass iii. Printing the list after insertion sort is performed	<ul style="list-style-type: none"> <li>❖ Correct syntactical errors</li> <li>❖ Debug logical errors</li> <li>❖ Observe whether insertion sort algorithm is properly implemented</li> <li>❖ Check whether the sorted list is generated after the insertion sort is performed for the given unordered list</li> </ul>
4	Implement a program for merge sort on two sorted lists of elements	Write a C program for i. Implementing merge sort ii. Printing the list after every pass iii. Printing the list after merge sort is performed	<ul style="list-style-type: none"> <li>❖ Correct syntactical errors</li> <li>❖ Debug logical errors</li> <li>❖ Check whether two separate sorted lists are properly stored in separate arrays</li> <li>❖ Observe whether Merge sort algorithm is properly implemented</li> <li>❖ Check whether the sorted list is generated after the Merge sort is performed for the given two separate lists</li> </ul>

DATA STRUCTURES LAB OBJECTIVES AND KEY COMPETENCIES			
Sl.No	Name of the Experiment	Objectives	Key Competencies
5	Exercise on Quick sort	Write a C program for i. Implementing Quick sort ii. Printing the list after every pass iii. Printing the list after Quick sort is performed	<ul style="list-style-type: none"> <li>❖ Correct syntactical errors</li> <li>❖ Debug logical errors</li> <li>❖ Observe whether Quick sort algorithm is properly implemented</li> <li>❖ Check whether the sorted list is generated after the Quick sort is performed for the given unordered list</li> <li>❖ Check the efficiency of the program if the given list is almost sorted</li> </ul>
6	Exercises on linear search	Write a C program for i. Implementing Linear Search ii. Print the proper result for successful and unsuccessful search	<ul style="list-style-type: none"> <li>❖ Correct syntactical errors</li> <li>❖ Debug logical errors</li> <li>❖ Check whether Linear Search algorithm is properly implemented</li> <li>❖ Observe the result for the search element is present in the list</li> <li>❖ Observe the result for the search element is not present in the list</li> </ul>
7	Exercise on binary search with-out Recursion	Write a C program for i. Implementing Binary Search ii. Print the proper result for successful and unsuccessful Binary search	<ul style="list-style-type: none"> <li>❖ Correct syntactical errors</li> <li>❖ Debug logical errors</li> <li>❖ Check whether Binary Search algorithm is properly implemented</li> <li>❖ Observe the result for the search element is present in the list</li> <li>❖ Observe the result for the search element is not present in the list</li> </ul>
8	Exercise on binary search with Recursion	Write a C program for I. Implementing Binary Search II. Print the proper result for successful and unsuccessful Binary search	<ul style="list-style-type: none"> <li>❖ Correct syntactical errors</li> <li>❖ Debug logical errors</li> <li>❖ Check whether Binary Search algorithm is properly implemented</li> <li>❖ Observe the Base Condition</li> <li>❖ Observe the intermediate results in stack</li> </ul>

DATA STRUCTURES LAB OBJECTIVES AND KEY COMPETENCIES			
Sl.No	Name of the Experiment	Objectives	Key Competencies
			<ul style="list-style-type: none"> <li>❖ Observe the result for the search element is present in the list</li> <li>❖ Observe the result for the search element is not present in the list</li> </ul>
9	Exercises on creation, insertion, deletion, display, sorting, find and replace of elements in a singly linked list	<p>Write a C program for</p> <ol style="list-style-type: none"> <li>I. Creation of linked list</li> <li>II. Inserting an element in Linked list</li> <li>III. Check for deletion of a node if no element is present and print error message</li> <li>IV. Delete an element from the Linked list</li> <li>V. Display all the elements from the linked list</li> <li>VI. Sorting of elements</li> <li>VII. Find and replace of element</li> </ol>	<ul style="list-style-type: none"> <li>❖ Rectify syntactical errors</li> <li>❖ Debug logical errors</li> <li>❖ Study node structure</li> <li>❖ Validate whether the memory allocation is done for the node</li> <li>❖ Confirm whether the addition of node is done at the end</li> <li>❖ Correct if deletion of an element in an empty list</li> <li>❖ Confirm whether deletion of required node is done</li> <li>❖ Observe whether all the elements of the linked list are displayed in proper order</li> <li>❖ Observe whether all the elements of the linked list are sorted in proper order</li> <li>❖ Observe whether find and replace of element in the linked list</li> </ul>
10	Exercises on creation, insertion, deletion, display, sorting, find and replace of elements in a singly circular linked lists	<p>Write a C program for</p> <ol style="list-style-type: none"> <li>I. Creation of linked list</li> <li>II. Inserting an element in Linked list</li> <li>III. Check for deletion of a node if no element is present and print error message</li> <li>IV. Delete an element from the Linked list</li> <li>V. Display all the elements from the linked list</li> <li>VI. Sorting of elements</li> <li>VII. Find and replace of element</li> </ol>	<ul style="list-style-type: none"> <li>❖ Rectify syntactical errors</li> <li>❖ Debug logical errors</li> <li>❖ Study node structure</li> <li>❖ Validate whether the memory allocation is done for the node</li> <li>❖ Confirm whether the addition of node is done at the end</li> <li>❖ Correct if deletion of an element in an empty list</li> <li>❖ Confirm whether deletion of required node is done</li> <li>❖ Observe whether all the elements of the linked list are displayed in proper order</li> <li>❖ Observe whether all the elements of the linked list are</li> </ul>

DATA STRUCTURES LAB OBJECTIVES AND KEY COMPETENCIES			
Sl.No	Name of the Experiment	Objectives	Key Competencies
			sorted in proper order ❖ Observe whether find and replace of element in the linked list
11	Exercises on creation, insertion, deletion, display, sorting, find and replace of elements in a Double linked lists	Write a C program for I. Creation of linked list II. Inserting an element in Linked list III. Check for deletion of a node if no element is present and print error message IV. Delete an element from the Linked list V. Display all the elements from the linked list VI. Sorting of elements VII. Find and replace of element	❖ Rectify syntactical errors ❖ Debug logical errors ❖ Study node structure ❖ Validate whether the memory allocation is done for the node ❖ Confirm whether the addition of node is done at the end ❖ Correct if deletion of an element in an empty list ❖ Confirm whether deletion of required node is done ❖ Observe whether all the elements of the linked list are displayed in proper order ❖ Observe whether all the elements of the linked list are sorted in proper order ❖ Observe whether find and replace of element in the linked list
12	Exercises on creation, insertion, deletion, display, sorting, find and replace of elements in a doubly circular linked lists	Write a C program for I. Creation of linked list II. Inserting an element in Linked list III. Check for deletion of a node if no element is present and print error message IV. Delete an element from the Linked list V. Display all the elements from the linked list VI. Sorting of elements VII. Find and replace of element	❖ Rectify syntactical errors ❖ Debug logical errors ❖ Study node structure ❖ Validate whether the memory allocation is done for the node ❖ Confirm whether the addition of node is done at the end ❖ Correct if deletion of an element in an empty list ❖ Confirm whether deletion of required node is done ❖ Observe whether all the elements of the linked list are displayed in proper order ❖ Observe whether all the elements of the linked list are sorted in proper order ❖ Observe whether find and replace of element in the linked list
13	Write a program to Implement a stack	Write a C program for	❖ Correct syntactical errors ❖ Debug logical errors

DATA STRUCTURES LAB OBJECTIVES AND KEY COMPETENCIES			
Sl.No	Name of the Experiment	Objectives	Key Competencies
	usingArrays.	i. Creation of Stack consisting of elements using arrays ii. Insertion of new element is done by push() function call iii. Deletion of last element is done by pop() function call iv. Print error message for 'empty stack' if no elements are present for pop() function call v. Print error message for 'stack full' if number of elements exceed size of Stack array	<ul style="list-style-type: none"> <li>❖ Observe declaration of stack using arrays</li> <li>❖ Validate whether a new element is inserted at the top by push() function call</li> <li>❖ Check whether only the top element is deleted by pop() function call</li> <li>❖ Verify for empty stack condition in pop()</li> <li>❖ Verify for stack full condition in push()</li> </ul>
14	Write a program to Implement a stack using Linked List	Write a C program for i. Creation of Stack consisting of elements using Linked List ii. Insertion of new element is done by push() function call iii. Deletion of last element is done by pop() function call iv. Print error message for 'empty stack' if no elements are present for pop() function call	<ul style="list-style-type: none"> <li>❖ Correct syntactical errors</li> <li>❖ Debug logical errors</li> <li>❖ Study node structure</li> <li>❖ Validate whether the memory allocation is done for the node</li> <li>❖ Observe declaration of stack using Linked List</li> <li>❖ Validate whether a new element is inserted at the top by push() function call</li> <li>❖ Check whether only the top element is deleted by pop() function call</li> <li>❖ Verify for empty stack condition in pop()</li> </ul>
15	Write a program for conversion of given infix arithmetic expression into postfix expression using Stack.	Write a C program for VI. Conversion of infix expression into postfix expression using stacks concept VII. Printing the postfix expression	<ul style="list-style-type: none"> <li>❖ Correct syntactical errors</li> <li>❖ Debug logical errors</li> <li>❖ Observe declaration of stack using arrays</li> <li>❖ Check whether the final expression is postfix expression or not.</li> </ul>
16	Write a program for Evaluation of post-fix expression using Stack.	Write a C program for i. Evaluation of post-fix expression using Stack. ii. Printing the evaluated result	<ul style="list-style-type: none"> <li>❖ Correct syntactical errors</li> <li>❖ Debug logical errors</li> <li>❖ Observe declaration of stack using arrays</li> <li>❖ Check whether the result is correctly evaluated or not.</li> </ul>

**DATA STRUCTURES LAB OBJECTIVES AND KEY COMPETENCIES**

Sl.No	Name of the Experiment	Objectives	Key Competencies
17	Write a program to implement a queue using arrays	<p>Write a C program for</p> <ol style="list-style-type: none"> <li>Creation of Queue consisting of elements using arrays</li> <li>Insertion of new element is done by insert method.</li> <li>Print error message for 'empty queue' if no elements are present for deletion of an empty queue.</li> <li>Print error message for 'queue full' if number of elements exceed size of Queue array upon insertion of new element.</li> <li>Deletion of first element is done by delete method.</li> </ol>	<ul style="list-style-type: none"> <li>❖ Correct syntactical errors</li> <li>❖ Debug logical errors</li> <li>❖ Observe declaration of Queue using arrays</li> <li>❖ Validate whether a new element is inserted at the end of the array by insert method.</li> <li>❖ Verify for empty Queue condition for deletion of an element</li> <li>❖ Verify for Queue full condition upon insertion of a new element</li> <li>❖ Check whether only the first element is deleted by delete method.</li> </ul>
18	Write a program to implement a queue using linked list	<p>Write a C program for</p> <ol style="list-style-type: none"> <li>Creation of Queue consisting of elements using Linked List</li> <li>Insertion of new element is done by insert method.</li> <li>Print error message for 'empty queue' if no elements are present for deletion of an empty queue.</li> <li>Deletion of first element is done by delete method.</li> </ol>	<ul style="list-style-type: none"> <li>❖ Correct syntactical errors</li> <li>❖ Debug logical errors</li> <li>❖ Study node structure</li> <li>❖ Validate whether the memory allocation is done for the node</li> <li>❖ Validate whether a new element is inserted at the end of the Linked List by insert method.</li> <li>❖ Verify for empty Queue condition for deletion of an element</li> <li>❖ Check whether only the first element is deleted by delete method.</li> </ul>
19	Write a program to implement a circular queue using arrays	<p>Write a C program for</p> <ol style="list-style-type: none"> <li>Creation of circular Queue consisting of elements using arrays</li> <li>Insertion of new element is done by insert method.</li> <li>Print error message for 'empty queue' if no elements are present for deletion of an empty queue.</li> <li>Print error message for 'queue full' if number of elements exceed size of Queue array upon insertion of new element.</li> <li>Deletion of first element is done</li> </ol>	<ul style="list-style-type: none"> <li>❖ Correct syntactical errors</li> <li>❖ Debug logical errors</li> <li>❖ Observe declaration of circular Queue using arrays</li> <li>❖ Validate whether a new element is inserted at the rear end of the array by insert method.</li> <li>❖ Verify for empty Queue condition for deletion of an element</li> <li>❖ Verify for Queue full condition upon insertion of a new element</li> <li>❖ Check whether only the first</li> </ul>

DATA STRUCTURES LAB OBJECTIVES AND KEY COMPETENCIES			
Sl.No	Name of the Experiment	Objectives	Key Competencies
		by delete at the front end	element is deleted by delete at the front end
20	Write a program to implement a circular queue using Linked Lists	<p>Write a C program for</p> <ol style="list-style-type: none"> <li>Creation of circular Queue consisting of elements using Linked List</li> <li>Insertion of new element is done by insert method.</li> <li>Print error message for 'empty queue' if no elements are present for deletion of an empty queue.</li> <li>Deletion of first element is done by delete at the front end</li> </ol>	<ul style="list-style-type: none"> <li>❖ Correct syntactical errors</li> <li>❖ Debug logical errors</li> <li>❖ Study node structure</li> <li>❖ Validate whether the memory allocation is done for the node</li> <li>❖ Observe declaration of circular Queue using Linked List</li> <li>❖ Validate whether a new element is inserted at the rear end of the Linked List by delete method.</li> <li>❖ Verify for empty Queue condition for deletion of an element</li> <li>❖ Check whether only the first element is deleted by delete at the front end</li> </ul>
21	Write a C program to BINARY SEARCH TREE with insertion, deletion, various traversals and search operations.	<p>Write a C program for</p> <ol style="list-style-type: none"> <li>Creation of Binary Trees</li> <li>Insertion of a node</li> <li>Deletion of a node</li> <li>Perform In-order Traversal of the binary tree</li> <li>Perform Pre-order Traversal of the binary tree</li> <li>Perform Post-order Traversal of the binary tree</li> </ol>	<ul style="list-style-type: none"> <li>❖ Correct syntactical errors</li> <li>❖ Debug logical errors</li> <li>❖ Observe proper definition of elements in a Binary Search Tree</li> <li>❖ Check whether the node is properly inserted in the Binary Tree</li> <li>❖ Check whether the node is properly deleted in the Binary Tree</li> <li>❖ Observe the root node after deleting root node element</li> <li>❖ Validate whether the Tree in-order traversal is properly done</li> <li>❖ Validate whether the Tree pre-order traversal is properly done</li> </ul>

Course Code	Course Title	No. of periods/week	Total No. of periods	Marks for FA	Marks for SA
CM-308	<b>DBMS Lab</b>	4	60	40	60

S.No.	Chapter/Unit Title	No. of Periods	CO's Mapped
1.	Concepts of DBMS & RDBMS	8	CO1
2.	Concepts of SQL	16	CO2
3.	Basics of PL/ SQL	12	CO3
4.	Advance PL/SQL	16	CO4
5.	Concepts of NoSQL & MongoDB.	8	CO5
Total Periods		60	

<b>COURSE OBJECTIVES</b>	Upon completion of the course the student shall able to learn
	<ol style="list-style-type: none"> <li>1. Insert, update, delete and select data into/from Relation Database</li> <li>2. Develop PL/SQL programs</li> <li>3. Insert, update, delete and select data from Mongo DB</li> </ol>

<b>Course Outcomes</b>	Upon completion of the course the student shall be able to		
	CO1	CM-308.1	Develop SQL Queries to Create, modify and drop tables and Queries to Insert, update, delete data from tables.
	CO2	CM-308.2	Execute SQL Queries to display data on different conditions from different tables
	CO3	CM-308.3	Execute PL/SQL Programs
	CO4	CM-308.4	Demonstrate the usage of cursors and triggers
	CO5	CM-308.5	Execute commands to Insert, update, delete and select data in NOSQL and Mongo DB databases



### CO-PO/PSO MATRIX

CO NO.	PO1	PO2	PO3	PO4	PO5	PO6	PO7	PSO1	PSO2	PSO3
CM-308.1	2		3			2	3	3	2	
CM-308.2	2	2	1			2			2	
CM-308.3	2		1					2		2
CM-308.4	2	2	3	3	3	3		2	2	2
CM-308.5	2	3				3	3			
<b>Average</b>	<b>2</b>	<b>2.3</b>	<b>2</b>	<b>3</b>	<b>3</b>	<b>2.5</b>	<b>3</b>	<b>2.3</b>	<b>2</b>	<b>2</b>

3=Strongly mapped , 2=moderately mapped, 1=slightly mapped

### LEARNING OUTCOMES

- 1 Know installation of Oracle
- 2 Exercise on creating tables.
- 3 Exercise on inserting records
- 4 Exercise on updating records
- 5 Exercise on modifying the structure of the table
- 6 Exercise on Select command
- 7 Exercise on querying the table using clauses like WHERE, ORDER BY, IN, AND, OR, NOT, IS NULL
- 8 Exercise on GROUP BY, HAVING
- 9 Exercise on Number functions, character functions, conversion functions and date functions, group functions
- 10 Exercise on set operators
- 11 Exercise on sub queries
- 12 Exercise on Joins
- 13 Exercise on various date and number format models
- 14 Exercise on creating tables with integrity constraints
- 15 Write programs using PL/SQL control statements
- 16 Exercise on PL/SQL exception handling
- 17 Exercise on Procedures
- 18 Exercise on Functions
- 19 Exercise on Recursion
- 20 Exercise on Cursors
- 21 Exercise on Triggers
- 22 Exercise on Installation of Mongo DB
- 23 Exercise on Creation and Dropping of Database
- 24 Exercise on Creation and Dropping of Collections.
- 25 Exercise on Commands of Mongo DB- Insert, update, find, delete and sorting of Documents.

**Mini Project : Student has to develop a Mini project applying the skills acquired from the learning outcomes of this course.**

**Time Schedule:**

Sl. No	Name of the Experiment	Periods
1	Know installation of Oracle	1
2	Exercise on creating tables.	1
3	Exercise on inserting records	1
4	Exercise on updating records	1
5	Exercise on modifying the structure of the table	1
6	Exercise on SELECT command	2
7	Exercise on querying the table using clauses like WHERE, ORDER, IN,AND, OR,NOT, IS NULL	18
8	Exercise on GROUP BY, HAVING	2
9	Exercise on Number functions, character functions, conversion functions and date functions, group functions	3
10	Exercise on SET operators	2
11	Exercise on sub queries	3
12	Exercise on Joins	3
13	Exercise on various date and number format models	1
14	Exercise on creating tables with integrity constraints	1
14	Write programs using PL/SQL control statements	6
15	Exercise on PL/SQL built-in exception handling	2
16	Exercise on PL/SQL in user defined exception handling	2
17	Exercise on Procedures	2
18	Exercise on Functions	1
19	Exercise on Recursion	1
20	Exercise on Cursors	1
21	Exercise on Triggers	1
22	Exercise on Installation of Mongo DB	1
23	Exercise on Creation and Dropping of Database	1
24	Exercise on Creation and Dropping of Collections	1
25	Exercises on commands of Mongo DB	1
Total		60

## KEY COMPETENCIES

Sl. No	Name of the Experiment	Objectives	Key Competencies
1	Know installation	<p>Perform the following:</p> <ol style="list-style-type: none"> <li>i. To identify the version of Oracle being installed</li> <li>ii. To understand the RAM and HDD requirements for Oracle installation</li> <li>iii. To comprehend the installation steps correctly</li> <li>iv. Setting up of Oracle Administrative Password</li> <li>v. Configuring the Oracle database after post-installation steps of Oracle viz configuring administrative rights for performing</li> <li>vi. To login to Oracle as administrator account and Oracle user account</li> </ol>	<ul style="list-style-type: none"> <li>❖ Observe Oracle version being installed</li> <li>❖ Observe the RAM &amp; HDD requirements</li> <li>❖ Rectify for any Oracle installation errors</li> <li>❖ Able to login as Administrator and as Oracle user account</li> </ul>
2	Exercise on creating tables.	<p>Perform the following:</p> <ol style="list-style-type: none"> <li>i. To login with Oracle user account</li> <li>ii. To give correct syntax for table creation</li> <li>iii. To give correct data type for the required fields with appropriate size</li> <li>iv. To display the structure of the table</li> </ol>	<ul style="list-style-type: none"> <li>❖ Correct Table creation syntax errors</li> <li>❖ Correct the wrong data types and inappropriate sizes for the respective fields</li> <li>❖ Check for displaying the structure of the table</li> </ul>
3	Exercise on inserting records	<p>Perform the following:</p> <ol style="list-style-type: none"> <li>i. Check for the required table present already</li> <li>ii. To insert the records correctly</li> <li>iii. To display the records correctly</li> </ol>	<ul style="list-style-type: none"> <li>❖ Correct syntax errors for Insertion of record</li> <li>❖ Check for insertion of proper values for the required fields</li> <li>❖ Verify the correct values pertaining to the record are inserted in the required table</li> <li>❖ Check for displaying of the records correctly</li> </ul>

Sl. No	Name of the Experiment	Objectives	Key Competencies
4	Exercise on updating records	Perform the following: i. Check for the required table present already ii. To update the records correctly iii. To display the updated records	<ul style="list-style-type: none"> <li>❖ Correct syntax errors for updating of record</li> <li>❖ Check for updating</li> <li>❖ Check for displaying of the updated records correctly</li> </ul>
5	Exercise on modifying the structure of the table	Perform the following i. To identify the required table, present in the system already ii. To add new column iii. To display the records correctly	<ul style="list-style-type: none"> <li>❖ Correct syntax errors in modifying the structure of the table</li> <li>❖ Check whether required field is newly added to the existing table</li> <li>❖ Check for displaying of the modified table correctly</li> </ul>
6	Exercise on SELECT command	Perform the following i. To identify the required table, present already ii. To display the records in the required table	<ul style="list-style-type: none"> <li>❖ Check for syntax error in usage of Select command</li> <li>❖ Check whether Select command is given correctly to display all the records</li> </ul>
7	Exercise on querying the table using clauses like WHERE, ORDER, IN, AND, OR, NOT, IS NULL	Perform the following: i. To use the Select command ii. To use the clauses WHERE, ORDER, IN, AND, OR, NOT, IS NULL along with Select command on the given records in the table	<ul style="list-style-type: none"> <li>❖ Check for syntax error in usage of Select command with appropriate clauses</li> <li>❖ Check whether Select command along with appropriate clause is given correctly for the required condition</li> <li>❖ Check the usage of clauses WHERE, ORDER, IN, AND, OR, NOT along with Select command appropriately</li> </ul>
8	Exercise on GROUP BY, HAVING	Perform the following: i. To use the Select command To use the clauses GROUP BY, HAVING along with Select command on the given records in the table	<ul style="list-style-type: none"> <li>❖ Check for syntax error in the usage GROUP BY, HAVING</li> <li>❖ Check for usage of GROUP BY, HAVING</li> <li>❖ Verify output values based on certain condition on few records</li> </ul>

Sl. No	Name of the Experiment	Objectives	Key Competencies
9	Exercise on Number functions, character functions, conversion functions and date functions, group functions	Perform the following i. To use functions ii. To use set command along with WHERE condition, GROUP BY, HAVING	<ul style="list-style-type: none"> <li>❖ Check for syntax error of various functions</li> <li>❖ Check for usage of various functions</li> <li>❖ Verify output values based on certain condition on few records</li> </ul>
10	Exercise on SET operators	Perform the following iii. To use set command iv. To use set command along with WHERE condition	<ul style="list-style-type: none"> <li>❖ Check for syntax error in the usage of SET command</li> <li>❖ Check for usage of SET command for updating values based on certain condition on few records</li> </ul>
11	Exercise on sub queries	Perform the following i. To use Select command ii. To use appropriate Operators IN	<ul style="list-style-type: none"> <li>❖ Check for the syntax error in usage of sub queries</li> <li>❖ Check for the correctness of the usage of appropriate operators used</li> </ul>
12	Exercise on Joins	Perform the following i. To create two tables ii. To use the common field if two tables are joined iii. To know different types of Joins	<ul style="list-style-type: none"> <li>❖ Check for the correctness of the syntax used for joining</li> <li>❖ Check if the join is created between two tables</li> <li>❖ Check if self-join is created</li> </ul>
13	Exercise on various date and number format models	Perform the following: i. To use date formats correctly ii. To use number formats correctly	<ul style="list-style-type: none"> <li>❖ Check for the syntax of the date formats</li> <li>❖ Check for the syntax of the number formats</li> </ul>
14	Exercise on creating tables with integrity constraints	Perform the following i. Create Primary key ii. Create Foreign key or referential integrity constraint iii. Create NOT NULL constraint iv. Create UNIQUE Key constraint v. Create CHECK constraint	<ul style="list-style-type: none"> <li>❖ Check for the syntax errors in usage of all types of Integrity constraints</li> <li>❖ Check whether different types of Integrity constraints are used</li> </ul>

Sl. No	Name of the Experiment	Objectives	Key Competencies
14	Write programs using PL/SQL control statements	Perform the following i. To use IF ... ELSE statements ii. To use iterative statements – Simple loop, While Loop, For Loop	<ul style="list-style-type: none"> <li>❖ Check for the syntax of IF... ELSE statements</li> <li>❖ Check for the syntax of all iterative statements</li> </ul>
15	Exercise on PL/SQL built-in exception handling	Perform the following i. Know about types of Exception handling ii. To handle built-in Exceptions	<ul style="list-style-type: none"> <li>❖ Check for handling of built- in Exceptions</li> <li>❖ Check for raising of user defined Exception</li> <li>❖ Check for handling of user defined Exception with appropriate error messages</li> </ul>
16	Exercise on PL/SQL in user defined exception handling	Perform the following i. To declare user defined exception ii. To raise user defined exception iii. To handle user defined exception	<ul style="list-style-type: none"> <li>❖ Check for declaration of user defined exception</li> <li>❖ Check for proper raising of exceptions</li> <li>❖ Check for proper handling of user defined exception with appropriate error messages</li> </ul>
17	Exercise on Procedures	Perform the following i. To know the concept ii. To declare procedures iii. The type of parameters IN, IN OUT, OUT iv. To call procedures from other procedures	<ul style="list-style-type: none"> <li>❖ Check for proper declaration of procedures</li> <li>❖ Check for syntax</li> <li>❖ Check for proper calling of procedures</li> </ul>
18	Exercise on Functions	Perform the following i. To know the concept ii. To declare function with return data iii. To call functions from other functions	<ul style="list-style-type: none"> <li>❖ Check for proper declaration of function</li> <li>❖ Check for syntax of parameters and its data type</li> <li>❖ Check for proper return data type from the functions</li> <li>❖ Check for variable assignment to get the returned value from the function</li> </ul>

Sl. No	Name of the Experiment	Objectives	Key Competencies
19	Exercise on Recursion	Perform the following i. To know the concept of stored functions and stored procedures ii. To call the procedure and function by itself iii. To place a condition to terminate from calling itself	<ul style="list-style-type: none"> <li>❖ Check for the syntax of stored function or procedure</li> <li>❖ Check for calling the function or procedure in the same function / procedure</li> <li>❖ Check for the condition to terminate from calling itself</li> </ul>
20	Exercise on Cursors	Perform the following i. To know the concept cursors ii. To know the fetch data from database	<ul style="list-style-type: none"> <li>❖ Check for the syntax of cursor</li> <li>❖ Check for open cursor, fetch data, close cursor</li> <li>❖ Check for the result</li> </ul>
21	Exercise on Triggers	Perform the following i. To know the concept of triggers ii. Validation before and after insert, before and after update and , before and after delete data	<ul style="list-style-type: none"> <li>❖ Check for the syntax of trigger</li> <li>❖ Write a trigger which raises before insert data</li> <li>❖ Raise trigger</li> <li>❖ Repeat the procedure for remaining</li> <li>❖ Check for the result</li> </ul>
22	Exercise on Installation of MongoDB	Perform the following i. To download and install MongoDB	<ul style="list-style-type: none"> <li>❖ Observe Mongo DB version being installed</li> <li>❖ Observe the RAM &amp; HDD requirements</li> <li>❖ Rectify for any Mongo DB installation errors Able to login as Administrator</li> </ul>
23	Exercise on Creation and Dropping of Database	Perform the following i. Create the Database ii. Drop the Database	<ul style="list-style-type: none"> <li>❖ Know the use of create Database () and drop Database()</li> <li>❖ Correct Database creation syntax errors</li> <li>❖ Check for displaying the database name</li> </ul>

Sl. No	Name of the Experiment	Objectives	Key Competencies
24	Exercise on Creation and Dropping of Collections	Perform the following i. Create the Collection ii. Drop the Collection	<ul style="list-style-type: none"> <li>❖ Know the use of create Collection () and drop ()</li> <li>❖ Correct Database creation syntax errors</li> <li>❖ Check for collection name</li> <li>❖ Check for the collection dropped</li> </ul>
25	Exercises on commands of Mongo DB	Execute the following commands of Mongo DB i. Insert the Document ii. update the Document iii. find the Document iv. Delete the Document v. sort the Documents	<ul style="list-style-type: none"> <li>❖ Know the syntax of insert (), update (), find (), remove (), sort () functions.</li> <li>❖ Correct syntax errors.</li> <li>❖ Check out for different input values.</li> </ul>



Course Code	Course Title	No. of periods/week	Total No. of periods	Marks for FA	Marks for SA
CM-309	Multimedia Lab	4	60	40	60

S.NO	MAJOR TOPICS	NO. OF PERIODS	CO's mapped
1	MS Access - create Database, create table with and without constraints, Insert, delete, update records, implement queries, create relationship between two tables	12	CO1
2	Scribus/Page maker- Creation of publication using tools, text, shapes, etc, Custom template, colors, text block, Objects, Styles, Page elements, Printing the documents	12	CO2
3	Telugu typing Software /Telugu Software– Anu Script Manager, Usage in SCRIBUS/ Page Maker., Key board acquaintance	8	CO3
4	GIMP/Photoshop – Different tools, Working with Layers, Working with painting tools, Colors, Brushes	16	CO4
5	Adobe Flash – Drawing Basic shapes, Working with layers, Working with Text , 3D spaces, Creating simple animations, Audio and video editing using audacity tool	12	CO5
	<b>TOTAL</b>	<b>60</b>	

<b>Course Objectives</b>	<ul style="list-style-type: none"> <li>(i) Familiarize with the features of MS Access.</li> <li>(ii) Familiarize with the features of Adobe PageMaker/ Scribus.</li> <li>(iii) Familiarize with Telugu Typing software/ Telugu Software</li> <li>(iv) Familiarize with the features of Adobe <i>GIMP/ Photoshop</i>.</li> <li>(v) Familiarize with the features of Adobe Flash</li> </ul>
--------------------------	---

<b>Course Outcomes</b>	Upon completion of the course the student shall be able to		
	CO1	CM-309.1	Demonstrate the concepts of databases, tables, manipulating records, queries and establishing relationship among tables.
	CO2	CM-309.2	Design publication files such as Textbooks, Visiting Cards, Invitation Cards, etc. using Adobe PageMaker
	CO3	CM-309.3	Use Telugu Typing software (Anu Script Manager) in SCRIBUS/ Adobe Page maker.
	CO4	CM-309.4	Use the Adobe GIMP/ Photoshop, Design and enhance the quality all types of

			picture files
	CO5	CM-309.5	Use Adobe Flash features to include multimedia animations through audio and visual effects.

### **CO-PO/PSO MATRIX**

CO NO.	PO1	PO2	PO3	PO4	PO5	PO6	PO7	PSO1	PSO2	PSO3
CM-309.1	3	2	3	1		3	3	2		2
CM-309.2	2	2	3		2		2	2		
CM-309.3	1	1	2	3	2		2		3	
CM-309.4		3	3	2		2		2	2	2
CM-309.5		3	1		2	2	2	2	2	2
Average	1.2	2.2	2.4	2	2	2.3	2.25	2	2.3	2

**3=Strongly mapped, 2=moderately mapped, 1=slightly mapped**

### **Learning Outcomes:**

#### **Practice with MS-Access**

1. To create Database
2. To Create table with and without constraints
3. To Insert, delete, update records
4. To implement queries
5. To create relationship between two table

#### **Practice with Adobe SCRIBUS/ Page Maker.**

6. Exercise on Installation, invoking and familiarizing Adobe Page Maker.
7. Exercise on SCRIBUS/ Page Maker. Tools.
8. Exercise on pallets and formatting pages
9. Exercise on text formatting
10. Exercise on Advanced text formatting
11. Exercise on Graphics tools
12. Exercise on object transformations.
13. Exercise on color options.
14. Exercise on graphics with layers using photo shop plug-ins
15. Exercise on import and export options.
16. Exercise on creating visiting card
17. Exercise on creating book cover page

18. Exercise on creating hotel menu card
19. Exercise on creating invitation card
20. Exercise on creating brochure
21. Exercise on Anu script for preparing Visiting card, Brochure in telugu.
22. Exercise on Anu script for preparing telugu invitation card.

**Practice with Adobe GIMP/ Photoshop.**

23. Exercise on Installation, invoking and familiarizing Adobe GIMP/ Photoshop.
24. Exercise on Images
25. Exercise on Resizing & Cropping Images
26. Exercise on Working With Basic Selections
27. Exercise on Layers
28. Exercise on Painting In GIMP/ Photoshop.
29. Exercise on Photo Retouching
30. Exercise on Color Correction
31. Exercise on Quick Mask Mode
32. Exercise on Pen Tool
33. Exercise on Creating Special Effects
34. Exercise on Exporting Your Work
35. Exercise on Logo Creation

**Practice with Adobe Flash**

36. Exercise on creating a new document, drawing basic shapes using pen, pencil, brush and eraser tools
37. Exercise on creating layers , naming layers, organizing layers in to folders.
38. Exercise on creating objects, fill, gradient , aligning and grouping of objects in to layers.
39. Exercise on Creating symbols and instances, creating frame by frame animation animating the text.
40. Exercise on creating motion tweening animation - classic tweening
41. Exercise on creating shape tweening and path tweening animations.
42. Exercise on creating onion skinning animation effects.
43. Exercise on Creating a spot light masking for text and image..
44. Exercise on creating a new audio file by editing the existing audio.

**Mini Project : Student has to develop a Mini project applying the skills acquired from the learning outcomes of this course.**

**KEY COMPETENCIES**

Exp No	Name of the Experiment	Objectives	Key Competencies
1	To create database	<ol style="list-style-type: none"> <li>a. Open MS Access</li> <li>b. Create database</li> <li>c. save</li> </ol>	tabase creatlon

2	To create table	a. Open MS Access b. Create database c. Create table d. Use primary key	Table creation
3	To insert/delete/update records into table	a. Open msaccess b. Create database c. Create table d. Insert/delete/update records	How to insert/update/delete and delete and update records into the table
4	To implement queries	a. Open msaccess b. Create database Crate table c. Use Select command	How to display contents of the table based on the user requirement
5	Create relationships between tables	a. Create table b. Create one more tables c. Insert records d. Use relationship option	How to link tables
6	Exercise on Installation, invoking and familiarizing Adobe Page Maker.	Installation, invoking and familiarizing Adobe Page Maker.	❖ Installing page maker ❖ Familiarize with pagemaker environment
7	Exercise on Page Maker Tools.	Page Maker Tools.	❖ Using Tool box, zero position, pointer tool, text tool, rotate tool, crop tool, oblique line tool, constrained line tool, box tool, rectangle frame, circle tool, circular frame, polygon tool, polygon frame, hand tool and zoom tool,
8	Exercise on pallets and formatting pages	pallets and formatting pages	❖ Use of paper size, page size, control pallet, color pallet, styles pallet, layers pallet, master page pallet, hyperlink pallet and measurement system, grids, rulers and guides, insert pages.
9	Exercise on text formatting	text formatting	❖ Know the purpose of master pages, placing a text, Formatting text (size, styles), Paragraph setting, tab setting, bullets,

			numbering, hyphenation setting, setting and creating styles, rotating text and color to text and save the document.
10	Exercise on Advanced text formatting	Advanced text formatting	❖ use spell check, divide the text into columns, work with indexes and pagination, use the find feature and save the document.
11	Exercise on Graphics tools	Graphics tools	❖ Create a document to work with graphics with the help of line tool, box tool, ellipse tool, polygon tool, rounded corners, fill, stroke and to place various graphics (at least 2 for each graphic tool) and save the document.
12	Exercise on object transformations.	object transformations.	❖ Transform the objects such as transforming a rectangle, resizing an ellipse, inserting cropping an image.
13	Exercise on color options.	color options.	❖ Adding color to a graphic shape, creating own colors with RGB, editing, copying, removing and replacing colors, grouping and ungrouping objects, linking objects, masking objects and save the document.
14	Exercise on graphics with layers using photoshop plug-ins	graphics with layers using photoshop plug-ins	❖ Create a document of five pages containing text and graphics and work with layers, moving objects between layers using layer options, using stacking order, using photoshop plug-ins
15	Exercise on import and export options.	import and export options.	❖ Create a new document and import text from HTML, MSword, spreadsheet, photo CD, acquiring tif image, managing linked files, to use

			export options to export text and graphics to jpeg format and to print the document, to publish the document in internet and save it,
16	Exercise on creating visiting card	creating visiting card	❖ Create visiting card with text and graphics on both sides with proper formatting.
17	Exercise on creating book cover page	creating book cover page	❖ Create front and back cover page of a book with text and graphics with proper formatting.
18	Exercise on creating hotel menu card	creating hotel menu card	❖ Create a hotel menu card with text and graphics with proper formatting.
19	Exercise on creating invitation card	creating invitation card	❖ Create a invitation card with text and graphics with proper formatting for required no. of pages.
20	Exercise on creating brochure	creating brochure	❖ Create a brochure for the firms like real estate companies, hospitals, educational institutions etc.,
21	Exercise on Anuscript for preparing Visiting card, Brochure	Anuscript for preparing Visiting card, Brochure	❖ Visiting card, Brochure preparation using Anuscript in Telugu
22	Exercise on Anuscript for preparing telugu invitation card.	Anuscript for preparing telugu invitation card.	❖ Invitation card preparation using Anuscript in Telugu
23	Exercise on Installation, invoking and familiarizing Adobe Photoshop	Installation, invoking and familiarizing Adobe Photoshop	<ul style="list-style-type: none"> <li>❖ Exploring the Toolbox</li> <li>❖ The New CS4 Applications Bar &amp; the Options Bar</li> <li>❖ Exploring Panels &amp; Menus</li> <li>❖ Creating &amp; Viewing a New Document</li> <li>❖ Customizing the Interface</li> <li>❖ Setting Preferences</li> </ul>

24	Exercise on Images	Working with Images	<ul style="list-style-type: none"> <li>❖ Zooming &amp; Panning an Image</li> <li>❖ Working with Multiple Images, Rulers, Guides &amp; Grids</li> <li>❖ Undoing Steps with History</li> <li>❖ Adjusting Color with the New Adjustments Panel</li> <li>❖ The New Masks Panel &amp; Vibrance Color Correction Command</li> <li>❖ The New Note Tool &amp; the Save for Web &amp; Devices Interface</li> <li>❖ The New Auto-Blend &amp; Auto-Align Layers Commands</li> <li>❖ The New 3D Commands</li> </ul>
25	Exercise on RESIZING & CROPPING IMAGES	RESIZING & CROPPING IMAGES	<ul style="list-style-type: none"> <li>❖ Understanding Pixels &amp; Resolution</li> <li>❖ The Image Size Command</li> <li>❖ Interpolation Options</li> <li>❖ Resizing for Print &amp; Web</li> <li>❖ Cropping &amp; Straightening an Image</li> <li>❖ Adjusting Canvas Size &amp; Canvas Rotation</li> </ul>
26	Exercise on WORKING WITH BASIC SELECTIONS	WORKING WITH BASIC SELECTIONS	<ul style="list-style-type: none"> <li>❖ Selecting with the Elliptical Marquee Tool</li> <li>❖ Using the Magic Wand &amp; Free Transform Tool</li> <li>❖ Selecting with the Regular &amp; Polygonal Lasso Tools</li> <li>❖ Combining Selections</li> <li>❖ Using the Magnetic Lasso Tool</li> <li>❖ Using the Quick Selection Tool &amp; Refine Edge</li> <li>❖ Modifying Selections</li> </ul>
27	Exercise on LAYERS	Working on Layers	<ul style="list-style-type: none"> <li>❖ Understanding the Background Layer</li> <li>❖ Creating, Selecting, Linking &amp; Deleting Layers</li> <li>❖ Locking &amp; Merging Layers</li> <li>❖ Copying Layers, Using Perspective &amp; Layer Styles</li> <li>❖ Filling &amp; Grouping Layers</li> <li>❖ Introduction to Blending Modes</li> <li>❖ Blending Modes, Opacity &amp;</li> </ul>

			<ul style="list-style-type: none"> <li>❖ Fill</li> <li>❖ Creating &amp; Modifying Text</li> </ul>
28	Exercise on PAINTING IN PHOTOSHOP	PAINTING IN PHOTOSHOP	<ul style="list-style-type: none"> <li>❖ Using the Brush Tool</li> <li>❖ Working with Colors &amp; Swatches</li> <li>❖ Creating &amp; Using Gradients</li> <li>❖ Creating &amp; Working with Brushes</li> <li>❖ Using the Pencil &amp; Eraser Tools</li> <li>❖ Painting with Selections</li> </ul>
29	Exercise on PHOTO RETOUCHING	PHOTO RETOUCHING	<ul style="list-style-type: none"> <li>❖ Using The Red Eye Tool</li> <li>❖ The Clone Stamp Tool</li> <li>❖ The Patch Tool &amp; the Healing Brush Tool</li> <li>❖ The Spot Healing Brush Tool</li> <li>❖ The Color Replacement Tool</li> <li>❖ The Toning &amp; Focus Tools</li> <li>❖ Painting with History</li> </ul>
30	Exercise on COLOR CORRECTION	COLOR CORRECTION	<ul style="list-style-type: none"> <li>❖ Using Color Spaces &amp; Color Modes</li> <li>❖ The Variations Command</li> <li>❖ The Auto Commands</li> <li>❖ Adjusting Levels</li> <li>❖ Adjust Curves, Non-Destructively, with Adjustment Layers</li> </ul>
31	Exercise on QUICK MASK MODE	Using QUICK MASK MODE	<ul style="list-style-type: none"> <li>❖ Using Quick Mask Options</li> <li>❖ Painting a Selection</li> <li>❖ Saving &amp; Removing a Selection from the Background</li> </ul>
32	Exercise on PEN TOOL	Working with the PEN TOOL	<ul style="list-style-type: none"> <li>❖ Understanding Paths &amp; the Pen Tool</li> <li>❖ Creating Straight &amp; Curved Paths</li> <li>❖ Creating Combo Paths</li> <li>❖ Creating a Clipping Path</li> </ul>
33	Exercise on CREATING SPECIAL EFFECTS	CREATING SPECIAL EFFECTS	<ul style="list-style-type: none"> <li>❖ Getting Started with Photoshop Filters</li> <li>❖ Smart Filters</li> <li>❖ Creating Text Effects</li> <li>❖ Applying Gradients to Text</li> </ul>
34	Exercise on Photo Shop Credits	EXPORTING YOUR WORK	<ul style="list-style-type: none"> <li>❖ Saving with Different File Formats</li> <li>❖ Saving for Web &amp; Devices</li> <li>❖ Printing Options</li> <li>❖ Photo shop Credits</li> </ul>



35	Exercise on Logo Creation	Logo Creation	<ul style="list-style-type: none"> <li>❖ To apply all the tools</li> <li>❖ Prepare college logo</li> <li>❖ Prepare logo for industry</li> </ul>
36	Exercise on creating a Flash Page	Creating flash document	<ul style="list-style-type: none"> <li>❖ Opening of flash interface</li> <li>❖ Creating a new file</li> <li>❖ Working with basic tools like pen, pencil, Brush and eraser tools</li> <li>❖ Drawing basic shapes</li> <li>❖ Save the file</li> </ul>
37	Exercise on creating Layers in Flash	Working with layers, naming and grouping, locking and unlocking layers.	<ul style="list-style-type: none"> <li>❖ Creating basic shapes in different layers</li> <li>❖ Grouping up of layers</li> <li>❖ Locking and unlocking the layers</li> <li>❖ Naming the layers</li> <li>❖ Grouping the layers in to folders</li> </ul>
38	Exercise on creating Objects	Working with objects	<ul style="list-style-type: none"> <li>❖ Creating different objects</li> <li>❖ Working with fill, gradient features of objects</li> <li>❖ Linking of objects to layers</li> <li>❖ Aligning the objects.</li> <li>❖ Save the file.</li> </ul>
39	Exercise on Frame By Frame animation	Working with symbols and instances, working with timeline, frame by frame animation.	<ul style="list-style-type: none"> <li>❖ Creating symbols and instances</li> <li>❖ Saving the symbols and instances</li> <li>❖ Creating a text in a layer</li> <li>❖ Animating the text using frame by frame animation</li> <li>❖ Setting the time limit for animation</li> <li>❖ Save the file.</li> </ul>
40	Exercise on Motion Tweening	Creating a basic shape, moving the ball using motion tweening.	<ul style="list-style-type: none"> <li>❖ Creating a basic object like Ball</li> <li>❖ Working with fill , gradient and texture for the object</li> <li>❖ Moving the ball in direction using motion tweening</li> </ul>
41	Exercise on Morphing, path tweening	import an object, working with shape tweening.  Creating a shape, working with guide layer.	<ul style="list-style-type: none"> <li>❖ Create / Import an object</li> <li>❖ Attaching the object to layer</li> <li>❖ Morph the object using shape tweening</li> <li>❖ Ceate a basic shape like BEE</li> <li>❖ Attach the shape to layer</li> <li>❖ Creating a path and</li> </ul>

			attaching to layer ❖ Playing the animation
42	Exercise on creating onion skinning animation effect	Learning the use of onion skinning feature in Flash	❖ Creating any basic shape ❖ Working with time line feature ❖ Enabling onion skin feature ❖ Playing the animation
43	Exercise on Spot light masking	Creating an object, Creating spotlight,Masking of the object,playing the animation	❖ Create a text/object ❖ Creating spotlight for text/object ❖ Playing the animation
44	Exercise on creating new audio file	Importing an audio file Clipping the audio Saving and exporting the audio file.	❖ Import an audio file ❖ Cut a small part of audio file using audacity tool ❖ Save the file

# **IV SEMESTER**

**DIPLOMA IN COMPUTER ENGINEERING  
SCHEME OF INSTRUCTIONS AND EXAMINATION**

**CURRICULUM-2020**

**(IV Semester)**

Sub Code	Name of the Subject	Instruction Periods/ Week		Total Periods Per Semester	Scheme Of Examinations			
		Theory	Practicals		Duration (hrs)	Sessional Marks	End Exam Marks	Total Marks
<b>THEORY SUBJECTS</b>								
CM-401	Mathematics III	3	-	45	3	20	80	100
CM-402	Web Technologies	5	-	75	3	20	80	100
CM-403	Computer Organization And Microprocessors	5	-	75	3	20	80	100
CM-404	OOP through C++	5	-	75	3	20	80	100
CM-405	Computer Networks	5	-	75	3	20	80	100
<b>PRACTICAL SUBJECTS</b>								
CM-406	Web Technologies Lab	-	6	90	3	40	60	100
CM-407	OOP through C++ Lab	-	4	60	3	40	60	100
CM-408	Communication Skills	-	3	45	3	40	60	100
CM-409	Computer Hardware & Network Maintenance Lab	-	6	90	3	40	60	100
	<b>Total</b>	<b>23</b>	<b>19</b>	<b>630</b>	-	<b>260</b>	<b>640</b>	<b>900</b>

CM-401&408 common with all branches  
CM-402,406, common with DIT branch

CM405 common with IT302

### ENGINEERING MATHEMATICS-III

Course Code	Course Title	No. of Periods/week	Total No. of periods	Marks for FA	Marks for SA
CM-401	Engineering Mathematics-III	3	45	20	80

S.No.	Unit Title	No. of periods	COs mapped
1	Higher order Linear Differential equations with constant coefficients	15	CO1
2	Laplace Transforms	18	CO2
3	Fourier Series	12	CO3
Total Periods		45	

<b>Course Objectives</b>	<ul style="list-style-type: none"> <li>(i) To learn the principles of solving differential equations of second and higher order.</li> <li>(ii) To comprehend the concept of Laplace transformations and inverse Laplace transformations.</li> <li>(iii) To understand the concept of Fourier Series expansion of functions.</li> </ul>
--------------------------	--

<b>Course Outcomes</b>	Upon completion of the course the student shall be able to	
	CO1	Solve homogeneous and non-homogeneous differential equations of second and higher order.
	CO2	Find Laplace and inverse Laplace transforms of various functions.
	CO3	Expand given functions as Fourier series and half- range Fourier Sine and Cosine series.

## ENGINEERING MATHEMATICS – III

### Learning Outcomes

#### Unit-I

#### Differential Equations of higher order

#### C.O. 1 Solve homogeneous and non-homogeneous differential equation of second and higher order.

- L.O** 1.1 Solve Differential equations of the type  $(aD^2 + bD + c)y = 0$  where a, b, c are real numbers and provide examples.
- 1.2 Solve higher order homogeneous differential equations with constant coefficients and provide examples.
- 1.3 Define complementary function, particular Integral and general solution of a non-homogeneous differential equation.
- 1.4 Describe the methods of solving  $f(D)y = X$  where  $f(D)$  is a polynomial of  $n^{\text{th}}$  order and  $X$  is a function of the forms  $k, e^{ax}, \sin ax, \cos ax, x, x^n$  and their linear combinations where n is a positive integer, with examples.

#### Unit-II

#### Laplace Transforms

#### C.O. 2 Find Laplace and inverse Laplace transforms of various functions.

- L.O.** 2.1 Define Laplace Transform and explain the sufficient conditions of existence of Laplace Transform
- 2.2. Obtain Laplace transforms of standard functions and solve simple problems.
- 2.3 Write the properties of Laplace Transform – Linearity property, First shifting theorem (without proof) and Change of Scale property and solve simple problems.
- 2.4. Write the Laplace Transform of unit step function and second shifting theorem (without proof) and solve simple problems.
- 2.5. Write formulae for Laplace transform of functions with multiplication by  $t^n$  and division by t, Laplace transform of derivatives, evaluation of some definite integrals using Laplace Transforms and solve simple problems.

Syllabus for Unit test-I completed

- 2.6 Define inverse Laplace Transform, obtain inverse Laplace Transforms of standard functions and solve simple problems.
- 2.7 Write linearity property, first and second shifting theorems (without proof), change of scale property of inverse Laplace transform and solve simple problems.
- 2.8 Write inverse Laplace transforms of derivatives and integrals and solve simple problems.
- 2.9 Write inverse Laplace transforms of functions with multiplication by s and division by s and solve simple problems.
- 2.10 Write inverse Laplace transforms of functions using partial fractions and solve some simple problems.
- 2.10 Define convolution of two functions, state convolution theorem (without proof) and solve simple problems.

**Unit-III**  
**Fourier series**

**C.O. 3 Expand given functions as Fourier series and half- range Fourier Sine and Cosine series**

**L.O.** 3.1 Define the orthogonality of functions in an interval.

3.2 Define Fourier series of a function in the intervals  $(c, c + 2\pi)$  and  $(c, c + 2l)$  and write the Euler's formulae for determining the Fourier coefficients.

3.3 Write sufficient conditions for the existence of Fourier series expansion of a function.

3.4 Find Fourier series of simple functions in the range  $(0, 2\pi)$  and  $(-\pi, \pi)$

3.5 Write Fourier series for even and odd functions in the interval  $(-\pi, \pi)$  and  $(-l, l)$  expand simple functions.

3.6 Write Fourier series expansion of a function over the interval  $(0, 2l)$  and  $(-l, l)$  and expand simple functions.

3.7 Write half-range Fourier sine and cosine series of a function over the interval  $(0, \pi)$  and  $(0, l)$  and expand simple functions.

Syllabus for Unit test-II completed

**Engineering Mathematics – III**  
**CO/PO - Mapping**

	<b>PO1</b>	<b>PO2</b>	<b>PO3</b>	<b>PO4</b>	<b>PO5</b>	<b>PO6</b>	<b>PO7</b>	<b>PSO1</b>	<b>PSO2</b>	<b>PSO3</b>
CO1	3	2	1	1				2	3	2
CO2	3	3	3	3				3	3	3
CO3	3	3	3	3				3	3	3
Avg	3	2.66	2.33	2.33				2.66	3	2.66

**3** = Strongly mapped (High), **2** = Moderately mapped (Medium), **1** = Slightly mapped (Low)

**Note:**

**PO5:** Appropriate quiz programme may be conducted at intervals and duration as decided by concerned teacher.

**PO6:** Seminars on applications of mathematics in various engineering disciplines are to be planned and conducted.

**PO7:** Such activities are to be planned that students visit library to refer standard books on Mathematics and latest updates in reputed national and international journals, attending seminars, learning mathematical software tools.

**PSO1:** An ability to understand the concepts of basic mathematical concepts and to apply them in various areas like computer programming, civil constructions, fluid dynamics, electrical and electronic systems and all concerned engineering disciplines.

**PSO2:** An ability to solve the Engineering problems using latest software tool, along with analytical skills to arrive at faster and appropriate solutions.

**PSO3:** Wisdom of social and environmental awareness along with ethical responsibility to have a successful career as an engineer and to sustain passion and zeal for real world technological applications.

**C-20**  
**Engineering Mathematics – III**  
**PO- CO – Mapping strength**

PO no	Mapped with CO no	CO periods addressing PO in column I		Level (1,2 or 3)	Remarks
		No	%		
1	CO1, CO2, CO3	45	100%	3	>40% Level 3 Highly addressed
2	CO1, CO2, CO3	37	82.2%	3	
3	CO1, CO2, CO3	32	71.1%	3	
4	CO1, CO2, CO3	32	71.1%	3	
5					25% to 40% Level 2 Moderately addressed
6					
7					
PSO 1	CO1, CO2, CO3	37	82.2%	3	5% to 25% Level 1 Low addressed
PSO 2	CO1, CO2, CO3	45	100%	3	
PSO 3	CO1, CO2, CO3	36	80%	3	
					<5% Not addressed



## ENGINEERING MATHEMATICS – III

(Common Subject)

### Course Content

#### Unit I: Differential Equations of higher order

1. Solve Homogenous linear differential equations with constant coefficients of order two and higher with emphasis on second order.
2. Solve Non-homogenous linear differential equations with constant coefficients of the form  $f(D)y = X$  where  $X$  is in the form  $k(\text{constant}), e^{ax}, \sin ax, \cos ax, x^n$ , where  $n$  is a positive integer, finding complimentary function, particular integral and general solution.

#### Unit II: Laplace Transforms

3. Definition, sufficient conditions for existence of LT, LT of elementary functions, linearity property, state first shifting theorem, change of scale property, multiplication by  $t^n$ , division by  $t$ , LT of derivatives and integrals, LT of unit step function, state second shifting theorem, inverse Laplace transforms- state shifting theorems and change of scale property, multiplication by  $s^n$  and division by  $s$ , derivatives, integrals, examples of inverse LT using partial fractions, state convolution theorem with simple examples.

#### Unit III: Fourier series

4. Orthogonality of trigonometric functions, Representation of a function in Fourier series over the interval  $(c, c + 2\pi)$  and  $(c, c + 2l)$ , Euler's formulae, sufficient conditions for existence of Fourier series expansion of a function, Fourier series expansion of basic functions limited to  $k(\text{constant}), x, x^2, \sin ax, \cos ax, e^{ax}$  and their combinations over the intervals  $(0, 2\pi), (-\pi, \pi), (0, 2l), (-l, l)$ , Fourier series for even and odd functions over  $(-\pi, \pi)$  and  $(-l, l)$ , Fourier half-range sine and cosine series over  $(0, \pi)$  and  $(0, l)$

#### Textbook:

Engineering Mathematics-I, a textbook for first year diploma courses, prepared & prescribed by SBTET, AP.

#### Reference Books:

1. B.S.Grewal, Higher Engineering Mathematics, Khanna Publishers
2. M.R. Spiegel, Schaum's Outline of Laplace Transforms, Schaums' Series
3. M.Vygodsky, Mathematical Handbook: Higher Mathematics, Mir Publishers, Moscow.

**MODEL BLUE PRINT**

S. No	Chapter/ Unit title	No of Periods	Weightage Allotted	Marks wise distribution of weightage				Question wise distribution of weightage				COs mapped
				R	U	Ap	An	R	U	Ap	An	
1	Unit – I Higher order Linear Differential equations with constant coefficients	15	28	11	11	3	3	2	2	1	1	CO1
2	Unit - II Laplace Transforms	18	33	11	11	11	0	2	2	2	0	CO2
3	Unit - III Fourier Series	12	19	3	3	3	10	1	1	1	1	CO3
<b>Total</b>		<b>45</b>	<b>80</b>	<b>25</b>	<b>25</b>	<b>17</b>	<b>13</b>	<b>5</b>	<b>5</b>	<b>4</b>	<b>2</b>	

**R: Remembering Type : 25 Marks**  
**U: understanding Type : 25 Marks**  
**Ap: Application Type : 17 Marks**  
**An: Analysing Type : 13 Marks**

**C-20**

**Engineering Mathematics – III**

**Unit Test Syllabus**

Unit Test	Learning Outcomes to be Covered
Unit Test-I	From LO 1.1 to 2.5
Unit Test-II	From LO 2.6 to 3.7

**Unit Test I**

**C –20, CM-401**

State Board of Technical Education and Training, A. P

**IV SEMESTER**

Subject name: **Engineering Mathematics-III**

Sub Code: **CM -401**

Time : 90 minutes

Max.marks:40

**Part-A**

**16Marks**

**Instructions:** (1) Answer all questions.  
 (2) First question carries four marks and the remaining questions carry three marks each

1. Answer the following:
  - a. Write the auxiliary equation for given differential equation  $(D^2 + 4)y = 0$  (CO1)
  - b. For given differential equation  $f(D)y = 0$ , if roots of auxiliary equation are 1,-1, then  $y =$  \_\_\_\_\_ (CO1)
  - c.  $L\{e^{3t}\} =$  \_\_\_\_\_ (CO2)
  - d.  $L\{f(t)\} = \bar{f}(s)$  then  $L\{e^{at} f(t)\} = \bar{f}(s + a)$ : State TRUE/FALSE (CO2)
2. Solve  $(D^2 - 2D + 1)y = 0$ . (CO1)
3. Find the particular integral of  $(D^2 + D + 4)y = e^x$  (CO1)
4. Evaluate  $L\{(t-1)^2\}$  (CO2)
5. Evaluate  $L\{t^2 + 2\cos t + 3\sin t\}$  (CO2)

**Part-B**

**3×8=24**

**Instructions:** (1) Answer all questions.  
 (2) Each question carries **eight** marks  
 (3) Answer should be comprehensive and the criterion for valuation is the content but not the length of the answer.

6. A) Solve  $(D^4 - 5D^2 + 4)y = 0$ . (CO1)  
 or  
 B) Solve  $(D^2 + D - 6)y = 1 + e^{-3x}$ . (CO1)
7. A) Solve  $(D^2 + 3D + 2)y = x^2 + \sin x$ . (CO1)  
 or  
 B) Solve  $(D^2 - D)y = 2e^x + 3\cos x$ . (CO1)
8. A) Evaluate  $L\{e^{3t} \cos^2 t\}$  (CO2)  
 or  
 B) Evaluate  $L\{e^t (t+1)^2\}$  (CO2)

-o0o-

## Unit Test II

C –20, CM-401

State Board of Technical Education and Training, A. P

### IV SEMESTER

Subject name: **Engineering Mathematics-III**

Sub Code: **CM-401**

Time : 90 minutes

Max.marks:40

#### Part-A

16Marks

**Instructions:** (1) Answer **all** questions.  
(2) First question carries **four** marks and the remaining questions carry **three** marks each

1. Answer the following:

a.  $L\{f(t)\} = \bar{f}(s)$  then  $L\{tf(t)\} = -\frac{d}{ds}(\bar{f}(s))$ : State TRUE/FALSE (CO2)

b.  $L^{-1}\left\{\frac{1}{s-3}\right\} = ?$  (CO2)

c.  $L^{-1}\left\{\frac{1}{s^2+a^2}\right\} = ?$  (CO2)

d. Write the Fourier series for the function  $f(x)$  in the interval  $c < x < c + 2\pi$ . (CO3)

2. Evaluate  $L\{te^t\}$ . (CO2)

3. Evaluate  $\int_0^{\infty} e^{-3t} \sin 4t dt$ . (CO2)

4. Evaluate  $L^{-1}\left\{\frac{3}{s+4} + \frac{2}{s^2+16} - \frac{s}{s^2-4}\right\}$ . (CO2)

5. Evaluate Fourier coefficient  $a_0$  for  $f(x)$  in the interval  $(-\pi, \pi)$ . (CO3)

#### Part-B

3×8=24

**Instructions:** (1) Answer **all** questions.  
(2) Each question carries **eight** marks  
(3) Answer should be **comprehensive** and the criterion for valuation is the content but not the length of the answer.

6. A) Evaluate  $L\{te^{-t} \cos t\}$ . (CO2)  
or

B) Evaluate  $L\left\{\frac{\cos at - \cos bt}{t}\right\}$ . (CO2)

7. A) Evaluate  $L^{-1} \left\{ \frac{s}{(s+1)(s^2+1)} \right\}$ . (CO2)

or

B) Evaluate  $L^{-1} \left\{ \frac{s}{(s-1)^4} \right\}$ . (CO2)

8. A) Obtain the Fourier series for the function  $f(x) = e^x$  in the interval  $(0, 2\pi)$ . (CO3)

or

B) Obtain the half range Fourier cosine series of  $f(x) = x^2$  in  $(0,1)$ . (CO3)

-o0o-

**END EXAM MODEL PAPER**  
**STATE BOARD OF TECHNICAL EDUCATION, A.P**  
**ENGINEERING MATHEMATICS –CM- 401**

**TIME : 3 HOURS**

**MODEL PAPER- I**

**MAX.MARKS : 80M**

**PART-A**

**Answer All questions. Each question carries THREE marks.**

**10x3=30M**

1. Solve  $(D^2 - 3D + 2)y = 0$ . **CO 1**
2. Solve  $(D^2 + D + 1)y = 0$ . **CO 1**
3. Find the particular integral of differential equation  $(D^2 + 4)y = \sin 2x$ . **CO 1**
4. Find the particular integral of differential equation  $(D^2 + 3D + 2)y = e^{3x}$ . **CO 1**
5. Find  $L\{2e^{3t} + \sin 3t + \cosh t\}$ . **CO2**
6. Find  $L\{e^t \cos 4t\}$ . **CO2**
7. Find  $L^{-1}\left\{\frac{1}{s^2} + \frac{4}{s^2 + 4} + \frac{3s}{s^2 - 9}\right\}$ . **CO2**
8. Find the value of  $a_0$  in the Fourier expansion of  $f(x) = e^x$  in the interval  $(0, 2\pi)$ . **CO3**
9. Find the Fourier coefficients of  $f(x)$  in the interval  $(-\pi, \pi)$ . **CO3**
10. Find the value of  $a_1$  in the half range cosine series of  $f(x) = k$  in the interval  $(0, \pi)$ . **CO3**

**PART-B**

**Answer All questions. Each question carries EIGHT marks. 5x8=40M**

11. A) Solve  $(D^3 - 6D^2 + 11D - 6)y = 0$ . **CO 1**  
Or  
B) Solve  $(D^2 - 9)y = e^{3x} + e^{-3x}$ . **CO 1**
12. A) Solve  $(D^2 - 4D + 4)y = \sin 3x$ . **CO1**  
Or  
B) Solve  $(D^2 + 2D + 2)y = x^2 + x + 1$ . **CO1**
13. A) Evaluate  $L\{te^t \cos t\}$ . **CO2**  
Or  
B) Evaluate  $L\{t^2 \cos 2t\}$ . **CO2**
14. A) Evaluate  $L\left\{\frac{\sin 5t \sin t}{t}\right\}$ . **CO2**  
Or

B) Evaluate  $\int_0^{\infty} \frac{\sin t}{t} dt$ . **CO2**

15. A) Find  $L^{-1} \left\{ \frac{1}{s(s+1)(s+2)} \right\}$ . **CO2**

Or

B) Using convolution theorem find  $L^{-1} \left\{ \frac{s}{(s^2+1)(s^2+4)} \right\}$ . **CO2**

**PART-C**

**Answer the following question. Question carries TEN marks. 1x10=10M**

16. Find the Fourier expansion of  $f(x) = x + x^2$  in the interval  $(-\pi, \pi)$  and hence deduce

that  $\frac{1}{1^2} - \frac{1}{2^2} + \frac{1}{3^2} - \frac{1}{4^2} + \dots = \frac{\pi^2}{12}$ . **CO3**

**STATE BOARD OF TECHNICAL EDUCATION, A.P**  
**ENGINEERING MATHEMATICS – CM-401**

**TIME : 3 HOURS**

**MODEL PAPER- 2**

**MAX.MARKS : 80M**

**PART-A**

**Answer All questions. Each question carries THREE marks. 10x3=30M**

1. Solve  $(D^2 + 4D + 4)y = 0$ . **CO 1**
2. Solve  $(D^2 + 9)y = 0$ . **CO 1**
3. Find the particular integral of differential equation  $(D^2 - 4D + 3)y = e^{4x}$ . **CO 1**
4. Find the particular integral of differential equation  $(D^2 - 4D - 5)y = \cos 2x$ . **CO 1**
5. Find  $L\{2 - e^{-2t} + \sinh 6t\}$ . **CO2**
6. Find  $L\{e^{-2t}t^2\}$ . **CO2**
7. Find  $L^{-1}\left\{\frac{1}{s^2} + \frac{4}{s^2 + 4} + \frac{3s}{s^2 - 9}\right\}$ . **CO2**
8. Find the value of  $a_0$  in the Fourier expansion of  $f(x) = x + x^2$   
in the interval  $(-1,1)$ . **CO3**
9. Write Euler's formula of Fourier expansion of  $f(x)$  in the interval  $(c, c + 2\pi)$ . **CO3**
10. Find the value of  $a_1$  in the half range cosine series of  $f(x) = \pi$  in the interval  
 $(0, \pi)$ . **CO3**

**PART-B**

**Answer All questions. Each question carries EIGHT marks. 5x8=40M**

11. A) Solve  $(D^3 + 1)y = 0$ . **CO 1**  
Or  
B) Solve  $(D^2 + D - 6)y = e^{3x} + e^{-3x}$ . **CO 1**
12. A) Solve  $(D^2 - 3D + 2)y = \cos 3x$ . **CO1**  
Or  
B) Solve  $(D^2 + 2D + 1)y = 2x + x^2$ . **CO1**
13. A) Evaluate  $L\{e^{3t} \cos^2 t\}$ . **CO2**  
Or  
B) Evaluate  $L\{t^2 \cos 2t\}$ . **CO2**



14. A) Evaluate  $L\left\{\frac{e^{-at} - e^{-bt}}{t}\right\}$ . **CO2**

Or

B) Using Laplace transforms evaluate  $\int_0^{\infty} \cos 3t dt$ . **CO2**

15. A) Find  $L^{-1}\left\{\log\left(\frac{s^2+1}{(s-1)^2}\right)\right\}$ . **CO2**

Or

B) Using convolution theorem find  $L^{-1}\left\{\frac{1}{(s^2+1)(s+1)}\right\}$ . **CO2**

### PART-C

Answer the following question. Question carries TEN marks. 1x10=10M

16. Find the Fourier expansion of  $f(x) = (\pi - x)^2$  in the interval  $0 < x < 2\pi$  and hence

deduce that  $\frac{1}{1^2} + \frac{1}{2^2} + \frac{1}{3^2} + \dots = \frac{\pi^2}{6}$ .

**CO3**

Course code	Course Title	No. of Periods/Weeks	Total No. of periods	Marks for FA	Marks for SA
CM-402	Web Technologies	5	75	20	80

S. No.	Chapter/Unit Title	No. of Periods	CO's Mapped
1.	Principles of Web Designing and HTML Introduction.	12	CO1
2.	Understand various HTML tags and usage of style sheets.	14	CO2
3.	Understand XML and Client side scripting using Java Script.	14	CO3
4.	JavaScript Ajax and J Query	15	CO4
5.	Web servers and Server side scripting using PHP	20	CO5
<b>Total Periods</b>		<b>75</b>	

<b>Course Objectives</b>	Upon completion of the course the student shall be able to
	i) Understand the basic elements of web page ii) Know the working with HTML, CSS iii) Familiarize the various Technologies like Java Script AJAX, JQuery, PHP. iv) Understand Database connectivity Using PHP

<b>Course Outcomes</b>	Upon completion of the course the student shall be able to		
	CO1	CM-402.1	Design interactive web page(s) using HTML
	CO2	CM-402.2	Describe the process to format and validate Web page elements using CSS,.
	CO3	CM-402.3	Describe data in a web page using XML and JavaScript
	CO4	CM-402.4	Use AJAX, JQuery and Angular JS in web page design.
	CO5	CM-402.5	Develop Dynamic web site using server side PHP Programming and database connectivity is using PHP.

### CO-PO/PSO Matrix

CO NO.	PO1	PO2	PO3	PO4	PO5	PO6	PO7	PSO1	PSO2	PSO3
CM-402.1	2	1	1	2		2	1	2	3	2
CM-402.2	1	3	3	3	1	3	1	3	3	3
CM-402.3		2	3	2	2	3	1	2	3	3
CM-402.4	1	1	3	2	2	3	2	2	3	3
CM-402.5	3	3	3	3	2	3	2	3	3	3
<b>Average</b>	<b>1.75</b>	<b>2</b>	<b>2.6</b>	<b>2.4</b>	<b>1.75</b>	<b>2.8</b>	<b>1.4</b>	<b>2.4</b>	<b>3</b>	<b>2.8</b>

3=Strongly mapped, 2=moderately mapped, 1=slightly mapped

#### **Learning Outcomes:**

##### **1.1 Principles of Web Designing and HTML Introduction.**

- 1.2 Basic web Terminology.
- 1.3 Describe Anatomy of web page.
- 1.4 Understand different Web page elements.
- 1.5 Navigate through web pages
- 1.6 Narrate steps in building web site
- 1.7 Narrate steps in launching
- 1.8 Narrate maintaining web site.
- 1.9 Introduction and Overview of HTML
- 1.10 Discuss the rules for designing a HTML document.
- 1.11 Explain the structure of HTML document.
- 1.12 Define HTML element and Attribute.
- 1.13 Study the basic tags in HTML <html>, <head>, <title>, <body>.
- 1.14 Study the header tags <h1> to <h6>
- 1.15 Discuss the formatting tags <b>, <i>, <u>, <strike>, <sub>, <sup>, <big>, <small>, <tt>
- 1.16 Discuss the Logical formatting tags <q>, <strong>, <cite>, <ins>, <del>, <em>
- 1.17 Discuss the <marquee> with attributes.
- 1.18 List Character entities.
- 1.19 Explain the List tags like <ul>, <ol>, <li>, <dl>, <menu> with attributes.
- 1.20 Describe tables tags like <table>, <tr>, <td>, <th>, <tbody>, <thead>, <tfoot>

##### **2.1 Understand various HTML tags and usage of style sheets.**

- 2.2 Explain the link and imaging tags <a>, <img> with attributes.
- 2.3 Explain the tags, <form>, <input>, <button>, <label>, <select>, <options>, <textarea>, <legend> with attributes.
- 2.4 Explain the tags, <frame>, <frameset>, <noframe>, <iframe> with attributes.
- 2.5 Illustrate about cascading style sheets
- 2.6 Understand the level of styles inline, internal and embedded style sheets.
- 2.7 Explain ID and Class selectors in CSS
- 2.8 Explain about Color and background properties
- 2.9 Explain about Box properties like Border, position, margin, padding of elements.

### **3.1 Understand XML and Java Script.**

- 3.2 Describe how to organize data in the form of XML.
- 3.3 Explain the rules for designing XML document.
- 3.4 Understand the significance of Namespace.
- 3.5 List the various applications of XML.
- 3.6 Differentiate between Client-side and Server-side scripting.
- 3.7 List Client side and server side scripting languages.
- 3.8 Describe the features of Java Script.
- 3.9 Placing JavaScript code in HTML.
- 3.10 Understand functions
- 3.11 Know how to define and call a function.
- 3.12 Know how to pass parameters.
- 3.13 Understand the purpose of getElementById method
- 3.14 Describe the global functions provided by JavaScript.
- 3.15 Form Handling in Java Script
- 3.16 Illustrate Arrays
  - 3.16.1 Understand single and multi-dimensional arrays.
  - 3.16.2 Design small programs using arrays.
- 3.17 Understand about various Objects provided by JavaScript
  - 3.17.1 Math object
  - 3.17.2 String object
  - 3.17.3 Date object
  - 3.17.4 Boolean and Number object
- 3.18 Describe events in java script.

### **4.1 JavaScript Ajax and JQuery**

- 4.2 Define AJAX
- 4.3 List the steps for designing a web application using AJAX.
- 4.4 Explain XMLHttpRequest Object properties and methods of XMLHttpRequest
- 4.5 Explain sending Ajax request to server and receiving a response from server with example program.
- 4.6 Define JQuery
- 4.7 List the features of JQuery
- 4.8 List JQuery plugins
- 4.9 Explain the steps for to includeJQueryin Web Pages
- 4.10 Explain JQuery Syntax with example program
- 4.11 Describe the jQuery Selectors-Accessing HTML elements by using
  - 4.11.1 Element Selectors
  - 4.11.2 ID, Class Selectors
- 4.12 Explain the JQuery Document Ready Event
- 4.13 Describe the JQuery Event handling methods(Mouse Events, Keyboard Events, Form Events, Document/Window events)
- 4.14 Explain effects of JQuery ( like hide, show, fadeIn, fadeout, fadeToggle,fadeTo, slideDown, SlideUp, SlideToggle)
- 4.15 Explain Functions in JQuery like text(),html(), val(), attr(),css().
- 4.16 Define AngularJS? Architecture, Advantages & Features.
- 4.17 List and Explain Angular JS Directives like ng-app,ng-init ,ng-model ,ng-repeat
- 4.18 Explain AngularJS Expressions like number, string,object,array.
- 4.19 Explain AngularJS Filters like lowercase,uppercase,filter,orderBy,currency.

## **5.0 Web servers and Server side scripting using PHP.**

- 5.1 Understand the architecture of a Web server.
- 5.2 List the various web servers.
- 5.3 Illustrate the various HTTP request types and their difference.
- 5.4 Compare the properties of IIS, and Apache.
- 5.5 Explain how to combine HTML and PHP.
- 5.6 Explain how to access HTML, PHP documents from web servers.
- 5.7 List various Data types and explain them with examples.
- 5.8 Explain how to declare Variables and Constants.
- 5.9 List and explain string manipulation functions.
- 5.10 Understand Arrays
- 5.11 Explain types of arrays.
- 5.12 Design small programs using arrays.
- 5.13 Explain form handling using \$\_GET,\$\_POST methods
- 5.14 List and explain mysql database functions in PHP.
- 5.15 Explain the steps of connecting to a Database.
- 5.16 Know about retrieving data from a table.
- 5.17 Know about inserting data into a table.
- 5.18 Know about updating the data in a table.
- 5.19 Know about deleting data from a table.
- 5.20 Design some simple programs to insert, delete, update and retrieve data from database.
- 5.21 Define Cookie.
- 5.22 Know how to create and delete a cookie.
- 5.23 Know the purpose of cookie.
- 5.24 Define Session
- 5.25 Understand how to create a session.
- 5.26 Know how to destroy a session.
- 5.27 Know the purpose of session.
- 5.28 Differentiate Sessions and Cookies.
- 5.29 Explain how to pass data from one web page to other webpage.

## **COURSE CONTENTS**

### **1. Principles of Web Designing and HTML Introduction**

**Principles of Web Designing:** Anatomy of Web page, Format, Elements, Navigation, Building, Launching and maintaining web site

**HTML:** Introduction to HTML, Format of web page, Tags and attributes, Formatting text, Adding images, Positioning. Lists, Colors, Tables.

### **2. HTML & CSS:**Connecting to hyperlinks and Imaging, Forms, Frames,IFrame

**CSS :** Introduction, Inline styles, Embedded style sheets, Conflicting styles, Linking external Style sheets, Positioning elements, Backgrounds, Element dimensions

### **3. XML &JavaScript:XML-**Introduction, Structuring Data, XML Namespaces, Applications of XML

**JAVA SCRIPT-**Introduction to Scripting, Client-Side versus Server-Side Scripting, JavaScript features, Functions – Function definitions, Use of Get Element ById, Get Element By Name, Global functions, Form handling, Arrays – Declaring and allocating arrays, References and reference parameters, passing arrays to functions, sorting and Searching arrays, Multiple-Subscripted arrays, Objects – **Math** object, **String** object, **Date** object, **Boolean** and **Number** object.

#### **4. JavaScript-Ajax and J Query**

**Java script-Ajax**-Introduction to AJAX, Steps for designing a web application using AJAX, XML Http Request Object- Properties and methods of XML Http Request, Sending a request to the server, receiving response from server using AJAX.

**J Query**:Introduction to J query, Features of J Query, Plugin used in J Query, steps for to include J Query in Web Page, J Query Syntax, j Query Selectors- Element, Selectors, ID, Class, Document Ready Event, J Query Event handling methods, effects of J Query, Functions in J Query

**Angular JS**:Introduction to Angular JS, Features, Advantages, Angular JS architecture, Directives, Expressions, Filters, Sample programs.

#### **5. Web servers and Server side scripting using PHP.**

**Web servers**:Introduction, HTTP Request Types, System Architecture, Client-Side versus Server-Side Scripting, Accessing Web Servers-IIS, Apache, Requesting HTML, PHP documents.

**PHP**:Fundamentals of PHP, Data types, String functions, Arrays, form handling, Databases, Cookies, Sessions, Passing data from one web page to other web page.

#### **REFERENCE BOOKS**

- 1) Principles of Web Design, Sklar, TMH
- 2) HTML complete reference, Powell, TMH
- 3) Basics of Web Site Design, NIIT – PHI
- 4) WWW Design with HTML, Xavier (TMH)
- 5) Internet & World Wide Web, Dietel and Dietel, Pearson education Asia.
- 6) Complete Reference PHP, Steven Holzer-McGraw Hill
- 7) J Query Cook book, O'Reilly Media

### MODEL BLUE PRINT

S.No.	Chapter/Unit title	No.of periods	Weightage Allocated	Marks Wise Distribution of Weightage				Question wise Distribution of Weightage				CO's Mapped
				R	U	Ap	An	R	U	Ap	An	
1	Principles of Web Designing and HTML Introduction.	12	14	6		8		2		1		CO1
2	Understand various HTML tags and usage of style sheets.	14	14	6		8	*	2		1	*	CO2
3	Understand XML and Client side scripting using Java Script.	14	14	3		11	*	1	-	2	*	CO3
4	JavaScript Ajax and J Query	15	14	3	3	8	*	1	1	1	*	CO4
5	Web servers and Server side scripting using PHP	20	14	3	3	8	*	1	1	1	*	CO5
<b>Total</b>		<b>75</b>	<b>70+10*</b>	<b>21</b>	<b>6</b>	<b>43</b>	<b>10*</b>	<b>7</b>	<b>2</b>	<b>6</b>	<b>1</b>	

Note: Part-C: 10 marks single analytical question may be chosen from any one of starred chapters.

#### Table specifying the scope of syllabus to be covered for unit tests

Unit Test	Learning outcomes to be covered
Unit test-1	From 1.1 to 3.17
Unit test-2	From 4.1 to 5.29

**DIPLOMA IN COMPUTER ENGINEERING**  
**MODEL PAPER**  
**Web Technologies**  
**UNIT TEST-1**

**SCHEME: C-20**  
**MAX MARKS:40**

**SUBJ CODE:CM-402**  
**TIME: 90 MINUTES**

**PART-A**

**16Marks**

**Instructions:**1) Answer all questions  
2) First question carries 4marks, and remaining carries 3marks each.

1. a) the external Java script file must contains <script> tag (True/False) (CO3)  
b) -----is used to choose the client-side java script object. (CO2)  
c) Which selector selects the element that is the target of a referring URI [ ] (CO1)  
i) :target ii) :selection iii) :: selection iv) :URI  
d) Which one of the following does not belongs to table tag [ ] (CO1)  
i) <tr> ii)<td> iii) <tbody> iv) <th>
2. Write different steps involved in launching a website. (CO1)
3. Write any four formatting tags. (CO2)
4. List the application of XML. (CO2)
5. What is the significance of Namespace? (CO2)

**PART-B**

**3X8=24Marks**

**Instructions:**1) Answer all questions  
2) Each question carries 8 Marks  
3) Answer should be comprehensive and the criterion for valuation is the content but not the length of the answer

6. a) Explain List tags with an example. (CO1)  
Or  
b) Write about any five table tags with example. (CO2)
7. a) Explain different Form tags with example. (CO2)  
Or  
b) Explain any five Box properties with sample code. (CO3)
8. a) Explain Math , String and Date objects in Java scripts (CO3)  
Or  
b) Describe how to define and call functions in java scripts. (CO2)



**BOARD DIPLOMA EXAMINATIONS  
DIPLOMA IN COMPUTER ENGINEERING  
MODEL PAPER – END EXAMINATION  
Web Technologies**

**SCHEME: C-20  
MAX MARKS:80**

**SUBJ CODE:CM-402  
TIME: 3 HOURS**

**PART-A**

**10X3=30Marks**

Note: Answer all questions

- |  |     |     |
|--|-----|-----|
| 1. Write the steps to launch a web site.                           |     | CO1 |
| 2. Describe the following tags.<br>a) <strong> (b)<cite> (c) <ins> |     | CO1 |
| 3. List any 3 attributes of <a>.                                   |     | CO1 |
| 4. What is the purpose of CSS?                                     |     | CO2 |
| 5. List the various applications of XML.                           |     | CO2 |
| 6. Write a JavaScript program to print the message.                |     | CO2 |
| 7. Define AJAX.  | CO3 |     |
| 8. List any 3 features of JQuery.                                  |     | CO3 |
| 9. List any 3 web servers.   |     | CO4 |
| 10. Define Cookie.   |     | CO4 |

**PART-B**

**5x8=40Marks**

Note: Answer all questions

- |  |     |     |
|--|-----|-----|
| 11. (a) Explain various Table tags with attributes.<br>(Or)<br>(b) Explain various formatting tags in HTML.  |     | CO1 |
| 12. (a) Design a student registration form using form elements.<br>(Or)<br>(b) Explain different types of CSS.                                     |     | CO2 |
| 13. (a) Explain the rules for designing XML document with an Example<br>(Or)<br>(b) Explain in detail about Objects in JavaScript.                 |     | CO2 |
| 14. (a) Explain Properties and methods of XMLHttpRequest Object.<br>(Or)<br>(b) Explain jQuery Selectors with example.                             | CO2 |     |
| 15. (a) Explain any 5 String functions in PHP with syntax and example.<br>(Or)<br>(b) Explain how to pass data from one web page to other web page |     | CO4 |

**PART-C**

**1x10=10Marks**

16. Design an application to generate electricity bill for APEPDCL as per the data required by them.  
(CO5)

Course code	Course Title	No. of Periods/Weeks	Total No. of periods	Marks for FA	Marks for SA
CM-403	Computer Organization And Microprocessors	5	75	20	80

S.No.	Chapter/Unit Title	No.of Periods	CO's Mapped
1.	CPU Organization	11	CO1
2.	Information representation and Arithmetic Operations	22	CO2,CO3
3.	Memory Organization	15	CO1,CO4
4.	I/O Organization	15	CO1,CO4
5.	Fundamentals of 8086 and Advanced Processors	12	CO5
Total Periods		75	

<b>Course Objectives</b>	Upon completion of the course the student shall be able to
	i) know about Processor organization ii) familiarize information Representation and arithmetic operations iii) understand how memory and i/o is organized in an effective way iv) study Advanced processor concepts

<b>Course Outcomes</b>	Upon completion of the course the student shall be able to		
	CO1	CM-403.1	Explain the Basic computer organization techniques
	CO2	CM-403.2	Analyse various information representations
	CO3	CM-403.3	Analyse various algorithms of Arithmetic operations
	CO4	CM-403.4	Explain the peripheral organization
	CO5	CM-403.5	Describe the Features of Microprocessors

### CO-PO/PSO Matrix

CO NO.	PO1	PO2	PO3	PO4	PO5	PO6	PO7	PSO1	PSO2	PSO3
CM-403.1	3	1	2	1	1	2	1	2	1	1
CM-403.2	3	3	3	2		1		3	2	2
CM-403.3	3	3	3	2		1		3	2	3
CM-403.4	3	2	2	1	2	2	2	2	1	2
CM-403.5	3		1	1	1	2	2	2	1	1
<b>Average</b>	<b>3</b>	<b>2.25</b>	<b>2.2</b>	<b>1.4</b>	<b>1.3</b>	<b>1.6</b>	<b>1.6</b>	<b>2.4</b>	<b>1.4</b>	<b>1.8</b>

3=Strongly mapped, 2=moderately mapped, 1=slightly mapped

#### Learning Outcomes:

##### 1.0 CPU ORGANIZATION

- 1.1 Draw the functional block diagram of Digital computer and explain the function of each unit.
- 1.2 Define Register
- 1.3 State the purpose of
  - 1.3.1 Accumulator
  - 1.3.2 Program counter
  - 1.3.3 Instruction Register
  - 1.3.4 Memory Buffer Register
  - 1.3.5 Memory Address Register
- 1.4 Draw the block diagram of simple accumulator based CPU.
- 1.5 Explain the function of each unit.
- 1.6 Define the terms micro operation, macro operation,
- 1.7 Define instruction cycle, fetch cycle and execution cycle.
- 1.8 Define stored program concept
- 1.9 Describe the sequential execution of a program stored in memory by the CPU

##### 2.0 Information representation and Arithmetic Operation

- 2.1 Explain the basic types of information representation in a computer
- 2.2 Define floating point representation and fixed point representation of numbers.
- 2.3 Illustrate the floating point and fixed point representations with example.
- 2.4 Distinguish between Fixed point and Floating point representations.
- 2.5 Explain various Instruction formats
- 2.6 Define Opcode, Operand and address.
- 2.7 Explain different types of instructions with examples
  - 2.7.1 Zero address instructions
  - 2.7.2 One address instructions
  - 2.7.3 Two address instructions
  - 2.7.4 Three address instructions
- 2.8 List and explain various addressing modes.

- 2.9 Illustrate fixed point addition, subtraction, multiplication and division with numerical example
- 2.10 Explain the fixed point addition and subtraction operations with flowchart.
- 2.11 Explain the Fixed point multiplication operation with flowchart.
- 2.12 Explain the Fixed point division operation with flowchart.
- 2.13 Illustrate floating point addition, subtraction, multiplication and division with numerical example
- 2.14 Illustrate Floating point normalization with numerical example
- 2.15 Explain floating point addition, subtraction operations with flowchart
- 2.16 Explain floating point multiplication operation using Booth's algorithm
- 2.17 Explain floating division operation with flowchart.

### **3.0 Memory Organization**

- 3.1 Distinguish between main and auxiliary memory.
- 3.2 State the need for memory hierarchy in a computer.
- 3.3 Explain memory hierarchy in a computer in detail
- 3.4 State the significance of various memory device characteristics: access time, access rate, alterability, permanence of storage, cycle time.
- 3.5 Discuss Associative Memory
- 3.6 Explain the principle of virtual memory organization in a computer system
- 3.7 Explain virtual address and physical address organization.
- 3.8 State the principle of locality of reference
- 3.9 Explain Cache memory organization.
- 3.10 Analyse the importance of the principle of memory interleaving in a computer.

### **4.0 I/O Organization**

- 4.1 List the any five peripheral devices that can be connected to a computer.
- 4.2 Define Interface.
- 4.3 Explain the need for an interface.
- 4.4 List modes of data transfer.
- 4.5 Explain synchronous and asynchronous data transfer.
- 4.6 Compare synchronous and asynchronous data transfer.
- 4.7 Explain hand shaking procedure of data transfer.
- 4.8 Explain programmed I/O method of data transfer.
- 4.9 Explain interrupted initiated I/O.
- 4.10 Explain DMA controlled transfer.
- 4.11 Explain priority interrupt, polling, and daisy chaining priority.
- 4.12 Explain about bus system
- 4.13 List various bus systems.
- 4.14 Differentiate between i/o bus and memory bus

### **5.0 Fundamentals of 8086 and Advanced Processors**

- 5.1 Define Microprocessor and list different types of processors.
- 5.2 Features of 8086 microprocessor
- 5.3 Draw the pin diagram 8086 microprocessor and describe the Pins and signals of 8086.
- 5.4 Draw the functional block diagram of 8086 microprocessor and describe the function of each block in 8086.
- 5.5 List the features of 80286, 80386, 80486 and Pentium processors.
- 5.6 Draw the functional block diagram of Intel Pentium processor and explain function of each unit.
- 5.7 Distinguish between 8086,80286,80386,80486.

## Course Contents

**1. Processor Organization** - functional block diagram of Digital computer -Simple accumulator based CPU and function of each unit.-Stored program concept

**2. Information representation and Arithmetic Operation-** Basic types of information representation - floating point representation and fixed point representation of numbers, Operand, Opcode and address - zero address, one address, two address and three address instructions - different addressing modes.-fixed point addition and subtraction, multiplication and division operations - floating point addition, subtraction, multiplication and division operations with flowcharts.

**3. Organization of Computer Memory system** - Main and auxiliary memory -Need for memory hierarchy in a computer -Significance of various memory devices characteristics: access time, access rate, alterability , permanence of storage, cycle time - Associative Memory-Virtual memory organization in a computer system - Virtual address and physical address organization.-Principle and advantage of cache memory organization- Principle of memory interleaving in a computer

**4. Input and output organization** - Peripheral devices -Need for an interface-Three modes of data transfer - Synchronous and asynchronous data transfer -Hand shaking procedure of data transfer - Programmed I/O method of data transfer-Interrupted initiated I/O-DMA controlled transfer-Priority interrupt, polling, and daisy chaining priority-Bus systems

**5. Fundamentals of 8086 and Advanced Processors-** Different types of processors.-Features of 8086 microprocessor- pin diagram 8086 microprocessor -Functional block diagram of 8086 microprocessor -Features of 80286, 80386, 80486 and Pentium processors. Functional block diagram of Intel Pentium processor -Distinguish between 8086,80286,80386,80486.

## Reference Books

1. Structured Computer Organization -- Andrews Tennenbaum.
2. Computer Organization -- Govindarajulu (TMH).
3. Computer Organization & Architecture -- William Stallings
4. Computer System Architecture --- Morris Mano
5. Computer Organization – Car Hamacher, ZvonksVranesic, SafwatZaky, V Edition, McGraw Hill, 2002.
6. Computer Architecture and Organization – John P. Hayes, Mc Graw Hill International editions, 1998.
7. Computer architecture and organization , 4th edition , P Chakraborty , JAICO publishers
8. Microprocessors & Interfacing -- Douglas V.Hall

### MODEL BLUE PRINT

S.No.	Chapter/Unit title	No.of periods	Weightage Allocated	Marks Wise Distribution of Weightage				Question wise Distribution of Weightage				CO's Mapped
				R	U	Ap	An	R	U	Ap	An	
1	CPU Organization	10	14	6	8			2	1			CO1
2	Information representation , Arithmetic Operations	25	14	6	8		*	2	1		*	CO2,CO3
3	Memory Organization	15	14	6	8		*	2	1		*	CO1,CO4
4	I/O Organization	15	14	6	8			2	1			CO1,CO4
5	Fundamentals of 8086 and Advanced Processors	10	14	6	8		*	2	1		*	CO5
<b>Total</b>		<b>75</b>	<b>70+10*</b>	<b>30</b>	<b>40</b>		<b>10*</b>	<b>10</b>	<b>5</b>		<b>1</b>	

Note: Part-C: 10 marks single analytical question may be chosen from any one of starred chapters.

#### Table specifying the scope of syllabus to be covered for unit tests

Unit Test	Learning outcomes to be covered
Unit test-1	From 1.1 to 3.4
Unit test-2	From 3.5 to 5.7

**DIPLOMA IN COMPUTER ENGINEERING**  
**MODEL PAPER**  
**Computer Organization And Microprocessors**  
**UNIT TEST-1**

SCHEME: C-20  
MAX MARKS:40

SUBJ CODE: CM-403  
TIME: 90 MINUTES

**PART-A**

**16Marks**

**Instructions:**1) Answer all questions

2) First question carries 4marks, and remaining carries 3marks each.

1. a) Program counter is used to hold address of current instruction (True/False) (CO1)
- b) No of bits transferred per sec is known as----- (CO2)
- c) Select one operand address instruction format [ ] (CO2)  
i) PUSH ii) ADD R1 iii) MOV R1,R2 iv) SUB R1,R2
- d) Normalization is required in fixed point arithmetic operations (True/False) (CO1)
2. Define micro and macro operations. (CO1)
3. List any three differences between Fixed point and Floating point representations (CO2)
4. Define access rate and access time. (CO3)
5. Define instruction cycle. (CO2)

**PART-B**

**3X8=24Marks**

**Instructions:**1) Answer all questions

2) Each question carries 8 Marks

3) Answer should be comprehensive and the criterion for valuation is the content but not the length of the answer

6. a) Draw and explain accumulator based CPU. (CO1)  
Or  
b) Explain stored program concept. (CO1)
7. a) Explain any six addressing modes with examples. (CO2)  
Or  
b) Explain fixed point addition operation with flowchart. (CO2)
8. a) Explain memory hierarchy w.r.t speed, storage capacity, size and cost. (CO3)  
Or  
b) Explain floating point multiplication with flowchart. (CO2)

**BOARD DIPLOMA EXAMINATION  
DIPLOMA IN COMPUTER ENGINEERING  
MODEL PAPER-END EXAM  
Computer Organization And Microprocessors**

**SCHEME: C-20  
MAX MARKS:80**

**SUBJ CODE: CM-403  
TIME: 3 HOURS**

**PART-A**

**10X3=30Marks**

Note: Answer all questions

- |  |            |
|--|------------|
| 1. Define Instruction Register                   | (CO1)      |
| 2. State the purpose of Program counter          | (CO1)      |
| 3. Define Opcode, Operand and address            | (CO2)      |
| 4. Define fixed point representation of numbers. | (CO3)      |
| 5. Draw the memory hierarchy diagram             | (CO1, CO2) |
| 6. State the principle of locality of reference  | (CO1, CO2) |
| 7. List various modes of data transfer           | (CO4)      |
| 8. List the four bus systems.                    | (CO4)      |
| 9. Define Microprocessor, give an example.       | (CO5)      |
| 10. State the purpose of any three PINs of 8086. | (CO5)      |

**PART-B**

**5x8=40Marks**

Note: Answer all questions

11.A Draw block diagram of simple accumulator based CPU and explain the function of each unit?

(CO1, CO2)

OR

11.B Explain the stored program concept? (CO1, CO2)

12.A. Explain floating point addition, subtraction operations with flowchart? (CO3)

OR

12.B List and explain various addressing modes? (CO2)

13.A. State the significance of access time, access rate, alterability and cycle time. (CO2)

OR

13.B Explain virtual address and physical address organization? (CO2, CO3)

14.A. Explain hand shaking procedure of data transfer in detail? (CO4)

OR

14.B Explain DMA controlled data transfer with neat block diagram. (CO4)

15.A Explain the Architecture of 8086 microprocessor with neat block diagram (CO5)

OR

15.B Compare the features of 80286,80386 and 80486 processors (CO5)

**PART-C**

**1X10=10Marks**

16. How to perform floating point multiplication on MOTOROLA 6800. (CO3)



Course code	Course Title	No. of Periods/Weeks	Total No. of periods	Marks for FA	Marks for SA
CM-404	OOP through C++	5	75	20	80

S.No.	Chapter/Unit Title	No.of Periods	CO's Mapped
1.	Object oriented programming concepts & Introduction to C++	15	CO1, CO2
2.	Functions, Arrays, Pointers & References	15	CO2, CO6
3.	Constructors, Destructors & Operator overloading	15	CO3, CO6
4.	Inheritance & Virtual functions	15	CO4, CO6
5.	C++ I/O & Templates	15	CO5, CO6
<b>Total Periods</b>		<b>75</b>	

<b>Course Objectives</b>	Upon completion of the course the student shall be able to
	<ul style="list-style-type: none"> <li>i) know about the Principles of Object oriented programming</li> <li>ii) familiarize with classes, objects and functions</li> <li>iii) understand various C++ constructs</li> <li>iv) familiarize with C++ I/O and Templates</li> <li>v) To Analyse all OOP's Principles</li> </ul>

<b>Course Outcomes</b>	Upon completion of the course the student shall be able to		
	CO1	CM-404.1	Explain the Principles of object oriented programming
	CO2	CM-404.2	Develop programs using classes, objects and functions
	CO3	CM-404.3	Write programs for constructors, destructors and operator overloading concepts.
	CO4	CM-404.4	Develop programs for different types of inheritances, virtual base class and virtual functions
	CO5	CM-404.5	Define C++ I/O stream and Templates
	CO6	CM-404.6	Use the features of OOP's in designing applications

### CO-PO/PSO Matrix

CO NO.	PO1	PO2	PO3	PO4	PO5	PO6	PO7	PSO1	PSO2	PSO3
CM-404.1	3	2	3	2	1	2	1	3	2	3
CM-404.2	2	2	1	2	1	1		2	1	1
CM-404.3	2	2	2	2	1	1	1	2	3	2
CM-404.4	3	3	3	2	1	2	2	3	3	2
CM-404.5	1	2	3	3	2	2	1	3	3	3
CM-404.6		2	3	2		3	2	1	3	3
Average	2.2	2.2	2.5	2.2	1.2	1.8	1.4	2.3	2.5	2.3

3=strongly mapped, 2=moderately mapped, 1=slightly mapped

#### **Learning Outcomes:**

##### **1.0 Object oriented programming concepts & Introduction to C++**

- 1.1 Evolution of OOP's
- 1.2 Describe procedure oriented programming
- 1.3 Describe Object oriented paradigm
- 1.4 State Basic concepts of object oriented programming
- 1.5 List the Benefits of OOP's
- 1.6 List different types of Object oriented programming languages
- 1.7 Write the structure of C++ program
- 1.8 Demonstrate to Create, compile, link and execute a C++ program.
- 1.9 Differentiate between C, C++
- 1.10 Explain C++ I/O operations with examples
- 1.11 Explain Syntax of comment statements in C++
- 1.12 List keywords of C++ other than C
- 1.13 Explain C++ Operators

##### **2.0 Functions, Arrays, Pointers & References**

- 2.1 Define function and its prototype
- 2.2 Explain the concept of Default Arguments
- 2.3 Explain the concept of function overloading
- 2.4 Explain inline function and write its advantages
- 2.5 Explain friend function and its use
- 2.6 Declare and use references
- 2.7 Define a class & object in C++
- 2.8 Define, Declare and use Class
- 2.9 Compare classes with structures
- 2.10 Explain Creation of objects
- 2.11 Declare and access array of objects
- 2.12 Explain the concept of passing objects to functions

- 2.13 Explain the concept of returning objects from functions
- 2.14 Describe pointers to object
- 2.15 State the use of pointer object in C++
- 2.16 Explain the process of declaring an object pointer and accessing data members of it with an example.
- 2.17 State the use of 'this' operator
- 2.18 Explain the operation of dynamic memory allocation using new and delete operators
- 2.19 Write a program to perform dynamic memory allocations with suitable example.
- 3.0 Constructors, Destructors and Operator Overloading**
  - 3.1 Define constructor and destructor
  - 3.2 Explain Parameterized constructors
  - 3.3 Describe Multiple Constructors in a class
  - 3.4 Describe Constructors with default arguments
  - 3.5 Describe Copy Constructor
  - 3.6 Describe Dynamic constructor
  - 3.7 Define Destructor and develop a program to demonstrate destructors
  - 3.8 Describe Operator Overloading
  - 3.9 Develop programs for Overloading of Binary Operators
  - 3.10 Develop programs for Overloading of Unary Operators
  - 3.11 Develop programs for Overloading of Binary Operators with ordinary member function and friend function
  - 3.12 Develop programs for Overloading of Unary Operators with ordinary member function and friend function
  - 3.13 List the rules for overloading of operators
  - 3.14 Illustrate the above with small programs
- 4.0 Inheritance & Virtual functions**
  - 4.1 State the necessity of inheritance.
  - 4.2 Explain the relation between base class and derived class.
  - 4.3 Write the syntax for defining a derived class
  - 4.4 Explain three types of access control – public, private & protected
  - 4.5 List Types of Inheritances and explain them with examples
  - 4.6 Write a program using C++ for Single inheritance
  - 4.7 Develop a program using C++ for Multi level inheritance
  - 4.8 Develop a program using C++ for Multiple inheritance
  - 4.9 Develop a program using C++ for Hybrid inheritance
  - 4.10 Develop a program using C++ for Multipath inheritance
  - 4.11 Develop a program using C++ for Hierarchical inheritance
  - 4.12 Describe Virtual base class
  - 4.13 Explain concept of virtual functions and its applications
  - 4.14 Write small programs to illustrate the above concepts.
- 5.0 C++ I/O & Templates**
  - 5.1 Write the basics of formatted I
  - 5.2 Explain I/O manipulators and give examples.
  - 5.3 Explain file I/O and classes of stream.h.
  - 5.4 Explain the binary I/O functions like get ( ) and put ( ).
  - 5.5 Write the format and working of file I/O functions like open ( ), read ( ), write ( ), count ( )
  - 5.6 Explain the need for Templates.
  - 5.7 List types of Templates.
  - 5.8 Describe Function Templates
  - 5.9 Develop a C++ program for Templates with Single Argument Types
  - 5.10 Develop a C++ program to Create function based Templates

- 5.11 Develop a C++ program for Templates with multiple argument types
- 5.12 State the use of Class Templates
- 5.13 Mention the Syntax of Class Template
- 5.14 Develop a C++ program to Create Classes based on Template
- 5.15 Develop a C++ program using Class Template for Stack Data Structure
- 5.16 Develop a C++ program using Class Template for Queue Data Structure

## COURSE CONTENT

### 1. Object oriented programming concepts & Introduction to C++:

Evolution of OOP's - Procedure oriented programming - Object oriented paradigm - basic concepts of object oriented programming - benefits of OOP's-Structure of C++ program - I/O Operations – statements – keywords -- Operators.

### 2. Functions, Arrays, Pointers & References

Class - object functions - classes & structures - friend function - inline functions - passing objects to functions – pass by value and pass by reference - returning objects from functions - virtual function - function overloading- Using Arrays - array of objects - pointers to objects - this operator - dynamic memory allocations -references.

### 3. Constructors, Destructors and Operator Overloading

Constructor and destructor - Parameterized constructors - Multiple Constructors - Constructors with default arguments - Copy Constructor – dynamic constructor - Destructors - Operator Overloading - Overloading of Binary Operators - Overloading of Unary Operators - Rules for overloading of operators - Example programs on Operator overloading.

### 4. Inheritance & Virtual functions

Base Class and derived class - access control - types of inheritance – Single, Multi level, Multiple, Hybrid, Multipath, Hierarchical - virtual base class - virtual functions.

### 5. C++ I/O & Templates

C++ I/O operators - formatted I/O - I/O manipulators - file I/O - binary I/O functions - file I/O functions - Need for Templates – classification of templates, function templates – single argument and multiple argument - class templates.

## REFERENCE BOOKS

- |  |                               |
|--|-------------------------------|
| 1. Teach yourself C++                                | - Helbertschildt Osborne McG  |
| 2. Object-oriented Programming with C++              | - PoornachandraSarang PHI     |
| 3. Programming with C++                              | - E. Balaguruswamy – TMH      |
| 4. Computer Science: A Structured Approach using C++ | - Forouzan/Gillberg - Thomson |
| 5. C++ & OOPS Paradigm                               | - DebasishJana PHI            |

**MODEL BLUE PRINT**

S.No.	Chapter/Unit title	No.of periods	Weightage Allocated	Marks Wise Distribution of Weightage				Question wise Distribution of Weightage				CO's Mapped
				R	U	Ap	An	R	U	Ap	An	
1	Object oriented programming concepts & Introduction to C++	15	14	6	8			2	1			CO1, CO2
2	Functions, Arrays, Pointers & References	15	14	3	11		*	1	2		*	CO2, CO6
3	Constructors, Destructors & Operator overloading	15	14	6	8		*	2	1		*	CO3, CO6
4	Inheritance & Virtual functions	15	14	3	11		*	1	2		*	CO4, CO6
5	C++ I/O& Templates	15	14	3	11		*	1	2		*	CO5, CO6
	Total	75	70+10*	21	49		10*	7	8		1	

Note: Part-C: 10 marks single analytical question may be chosen from any one of starred chapters.

**Table specifying the scope of syllabus to be covered for unit tests**

Unit Test	Learning outcomes to be covered
Unit test-1	From 1.1 to 3.7
Unit test-2	From 3.8 to 5.16

**DIPLOMA IN COMPUTER ENGINEERING**  
**MODEL PAPER**  
**OOP through C++**  
**UNIT TEST-1**

**SCHEME: C-20**  
**MAX MARKS:40**

**SUBJ CODE:CM-404**  
**TIME: 90 MINUTES**

**PART-A**

**16Marks**

**Instructions:**1) Answer all questions  
2) First question carries 4marks, and remaining carries 3marks each.

1. a) new operator is used to dynamic de-allocation of memory. (True/False) (CO1)
- b) Scope resolution operator is used to----- (CO2)
- c) Which of the following is not a OOP's language [ ] (CO2)  
        i) Ada   ii) C++   iii) C   iv) Java
- d) Which one of the following is used to initialise object [ ] (CO1)  
        i) destructor   ii) compiler   iii) constructor   iv) delete
2. Write the advantages of OOP's languages. (CO1)
3. Write the differences between class and structure (CO2)
4. State the use of 'this' operator. (CO3)
5. Define constructor and destructor. (CO3)

**PART-B**

**3X8=24Marks**

**Instructions:**1) Answer all questions  
2) Each question carries 8 Marks  
3) Answer should be comprehensive and the criterion for valuation is the content but not the length of the answer

6. a) Write about Encapsulation and Abstraction. (CO1)  

Or
- b) Explain C++ I/O operation with examples. (CO1)
7. a) Explain the concept of function overloading (CO2)  

Or
- b) Explain the concept of passing objects to functions (CO2)
8. a) Explain Parameterized constructors with example. (CO3)  

Or
- b) Explain how to declare and access pointers in objects. (CO3)

**BOARD DIPLOMA EXAMINATION  
DIPLOMA IN COMPUTER ENGINEERING  
MODEL PAPER-END EXAM  
OOP through C++**

**SCHEME: C-20  
MAX MARKS: 80**

**SUBJ CODE:CM-404  
TIME: 3 HOURS**

**PART-A**

**10X3=30Marks**

Note: Answer all questions

1. List the Benefits of OOP's. (CO1)
2. List the keywords of C++ which are not in C. (CO1)
3. Define function and its prototype. (CO2)
4. Define a class & object in C++. (CO1)
5. Define Parameterized constructor. (CO2)
6. List the rules for overloading of operators. (CO2)
7. Write the syntax for defining a derived class. (CO2)
8. List various types of Inheritances. (CO3)
9. List any three classes of iostream.h. (CO4)
10. Write the Syntax of Class Template. (CO5,CO6)

**PART-B**

**5x8=40Marks**

Note: Answer all questions

- 11.A. Explain basic concepts of object oriented programming? (CO1)  
OR
- 11.B. Explain C++ I/O operations with examples? (CO1,CO6)
- 12.A. Explain inline function and write its advantages? (CO2)  
OR
- 12.B. Explain the concept of returning objects from functions? (CO2, CO3)
- 13.A. Describe Operator Overloading? (CO3)  
OR
- 13.B. Define Destructor and develop a program to demonstrate destructors? (CO2, CO3)
- 14.A. Explain the concept of virtual functions and its applications? (CO2,CO5)  
OR
- 14.B. Explain three types of access control – public, private & protected? (CO5)
- 15.A. Explain I/O manipulators with examples? (CO4)  
OR
- 15.B. Develop a C++ program using function Templates. (CO5,CO6)

**PART-C**

**1X10=10Marks**

16. Can it be possible to implement multiple inheritance in C++? Suggest the method of implementation. (CO4)

Course code	Course Title	No. of Periods/ Weeks	Total No. of periods	Marks for FA	Marks for SA
CM-405	Computer Networks	5	75	20	80

S.No.	Chapter/Unit Title	No.of Periods	CO's Mapped
1.	Introduction to Networks	15	CO1,CO2
2.	LAN components, Devices, tools, and Network Topologies.	15	CO3
3.	Network Addressing and sub-netting	15	CO3, CO4, CO6
4.	Networks protocols and management	20	CO3, CO5,CO6
5.	Basic Network administration	10	CO6
Total Periods		75	

Course Objectives	Upon completion of the course the student shall be able to
	i. Know the different types of networks ii. Know the Network components, devices and topologies. iii. Understand managing Network using IP addresses and protocols iv. Design and able to build network v. Familiarise network administration

Course Outcomes	Upon completion of the course the student shall be able to		
	CO1	CM-405.1	Explain different types of networks, cables and connectors
	CO2	CM-405.2	Explain ISO /OSI reference model and TCP/IP model
	CO3	CM-405.3	Explain Network components, tools, devices and topologies
	CO4	CM-405.4	Configure network using subnet technology using suitable IP addresses
	CO5	CM-405.5	Describe different types of network protocols
	CO6	CM-405.6	Apply the techniques for Troubleshooting in monitoring and administrating network



### CO-PO/PSO Matrix

CO NO.	PO1	PO2	PO3	PO4	PO5	PO6	PO7	PSO1	PSO2	PSO3
CM-405.1	1	3						3		
CM-405.2		3							2	
CM-405.3				3	3		2	3	2	
CM-405.4			3				2			2
CM-405.5					3		1	1	2	
CM-405.6	2				3	2	1		1	2
Average	1.5	3	3	3	3	2	1.5	2.3	1.75	2

3=strongly mapped, 2=moderately mapped, 1=slightly mapped

#### **Learning Outcomes:**

##### **1.0 Introduction to Computer Networks.**

- 1.1 Describe the Overview of Networking.
- 1.2 Discuss the Need and importance of Networking.
- 1.3 Classification and features of Networks–LAN, MAN,WAN
- 1.4 Importance of Wi-Fi, Bluetooth
- 1.5 List the Hardware and Software Components.
- 1.6 Explain Various Network Communication Standards.
- 1.7 Explain the OSI Reference Model with its architecture and layer functions.
- 1.8 Explain the functions of each layer of TCP/IP Reference Model
- 1.9 Compare TCP/IP and OSI reference models.

##### **2.0 Network components, devices, tools, and Network Topologies.**

- 2.1 Discuss the need and importance of LAN Cables, Connectors, wireless network adapter
- 2.2 Explain about LAN Cables
  - 2.2.1 Coaxial Cables,
  - 2.2.2 Twisted-Pair Cables(Shielded, Unshielded)
  - 2.2.3 Optical Fibre Cables,
- 2.3 Explain about LAN Connectors.
  - 2.3.1 Registered Jack(RJ)-45
  - 2.3.2 Straight Tip (ST)
  - 2.3.3 Subscriber Connector (SC)0
  - 2.3.4 Lucent Connector (LC)
- 2.4 Explain about LAN Devices
  - 2.4.1 Repeaters
  - 2.4.2 Hubs
  - 2.4.3 Switches
  - 2.4.4 Network Interface Cards(NICs)
  - 2.4.5 Routers ( CISCO, DAX,Etc.)
  - 2.4.6 Modem (56KBPS Internal or External, ADSLModems.)
  - 2.4.7 Gateways.

- 2.5 Explain about Wireless network adapter
- 2.6 List and Explain the functions of LAN Tools
  - 2.6.1 Anti-Magnetic mat
  - 2.6.2 Anti-Magnetic Gloves
  - 2.6.3 Crimping Tool
  - 2.6.4 Cable Tester
  - 2.6.5 Cutter
  - 2.6.6 Loop back plug
  - 2.6.7 Toner probe
  - 2.6.8 Punch down tool
  - 2.6.9 Protocol analyzer
  - 2.6.10 Multi meter
- 2.7 Explain about Topologies with their merits and de-merits
  - 2.7.1 Bus
  - 2.7.2 Ring
  - 2.7.3 Star
  - 2.7.4 Mesh
  - 2.7.5 Hybrid Topologies

### **3.0 Network Addressing and sub-netting**

- 3.1 Introduction to Network Addressing.
- 3.2 Explain TCP/IP Addressing Scheme.
- 3.3 List and describe the Components of IP Address.
- 3.4 List and explain IP Address Classes.
- 3.5 Define subnet and describe the necessity of sub-netting.
- 3.6 Illustrate sub-netting
- 3.7 Explain sub-netting with a simple example
- 3.8 List the Advantages and disadvantages of sub netting
- 3.9 Describe the Internet Protocol Addressing
  - 3.9.1 IPv4
  - 3.9.2 IPv6
- 3.10 State the need for IPv6.
- 3.11 Explain about Classful addressing and classless addressing in IPv4.
- 3.12 Describe Internet protocol version-6 (IPv6) addressing.

### **4.0 Networks protocols and management**

- 4.1 Describe need of protocols in computer networks
- 4.2 Explain the protocols
  - 4.2.1 Hyper Text Transfer Protocol(HTTP)
  - 4.2.2 File Transfer Protocol(FTP)
  - 4.2.3 Simple Mail Transfer Protocol(SMTP)
  - 4.2.4 Address Resolution Protocol(ARP)
  - 4.2.5 Reverse Address Resolution Protocol(RARP)
  - 4.2.6 Telnet
- 4.3 Describe Simple Network Management Protocol(SNMP)
- 4.4 Explain about working of SNMP.
- 4.5 Explain about DHCP, DNS
- 4.6 Explain the Overview of Network Management.
- 4.7 Explain Network Monitoring and Troubleshooting.
- 4.8 Explain about Remote Monitoring (RMON).

## 5.0 Basic Network administration

- 5.1 Explain about Network administration.
- 5.2 Describe the need of Network Administration.
- 5.3 Responsibilities of Network Administrator.
- 5.4 Discuss User & Group Managements.
- 5.5 Analyze the working of Device Manager
- 5.6 Analyze Verification & Managing Ports.
- 5.7 Explain the procedure of Installing, Managing & Configuration of Printers,
- 5.8 Demonstrate Disk Management Tools & Tasks
- 5.9 Describe File Systems Management.
- 5.10 Demonstrate on NTFS (File and Folder) & Share Permissions.

## COURSE CONTENTS

1. **Introduction to Networks:** Need for network - Network classification - network standards - - Network Components - ISO reference model - TCP/IP model.
2. **Network components, devices, tools, and Network Topologies:** LAN Cables - connectors - tools - LAN devices - wireless network adapter - LAN tools - Network topologies
3. **Network Addressing and Subnetting:** Network addressing - IP address components - IP address classes - subnetting - internet protocols (IPv4, IPv6) addressing - need for IPv6 - classful and classless addressing in IPv4 - IPv6 addressing
4. **Network protocols and management:** need for protocols - different protocols - overview of network management - monitoring and troubleshooting network - remote monitoring
5. **Basic Network administration:** need for network administration - user & group management - working of device manager - verification & managing ports - installing, managing of printer configuration - disk management tools - file system management - NTFS - share permissions.

## Reference Books:

1. "Introduction to Data Communications and Networking", B. Forouzan, Tata McGraw Hill
2. "Computer Networks", Tanenbaum, PHI,
3. "Data and Computer Communications", Stallings, PHI,
4. "Data Communication", William Schewber, McGraw Hill, 1987

### MODEL BLUE PRINT

S.No.	Chapter/Unit title	No. of periods	Weightage Allocated	Marks Wise Distribution of Weightage				Question wise Distribution of Weightage				CO's Mapped
				R	U	Ap	An	R	U	Ap	An	
1	Introduction to Networks	15	14	8	6			1	2			CO1,CO2
2	LAN components, Devices, tools, and Network Topologies.	15	14	6	8			2	1			CO3
3	Network Addressing and sub-netting	15	14		3	11	*		1	2	*	CO3, CO4, CO6
4	Networks protocols and management	20	14	3	8	3	*	1	1	1	*	CO3, CO5,CO6
5	Basic Network administration	10	14		6	8	*		2	1	*	CO6
<b>Total *</b>		<b>75</b>	<b>70 +10*</b>	<b>17</b>	<b>31</b>	<b>22</b>	<b>10*</b>	<b>4</b>	<b>7</b>	<b>4</b>	<b>1</b>	

Note: Part-C: 10 marks single analytical question may be chosen from chapters marked with \*.

#### Table specifying the scope of syllabus to be covered for unit tests

Unit Test	Learning outcomes to be covered
Unit test-1	From 1.1 to 3.4
Unit test-2	From 3.5 to 5.10

**DIPLOMA IN COMPUTER ENGINEERING**  
**MODEL PAPER**  
**Computer Networks**  
**UNIT TEST-1**

**SCHEME: C-20**  
**MAX MARKS:40**

**SUBJ CODE:CM-405**  
**TIME: 90 MINUTES**

**PART-A**

**16Marks**

**Instructions:**1) Answer all questions  
2) First question carries 4marks, and remaining carries 3marks each.

1. a) Transport layer is bottom layer of OSI reference model(True/False) (CO2)
  - b) MAN stands for ..... (CO3)
  - c) -----tool is used to affix a connector at the end of cable (CO1)
  - d) The class of private address range 172.16.0.0 to 172.31.255.255 is (CO4)
- i) Class A    ii) Class B    iii) Class C    iv) Class D
- 2) State the need of Networking. (CO1)
  - 3) List any six LAN devices (CO3)
  - 4) Give the functions of cable tester (CO3)
  - 5) Describe IP address. (CO4)

**PART-B**

**3X8=24Marks**

**Instructions:**1) Answer all questions  
2) Each question carries 8 Marks  
3) Answer should be comprehensive and the criterion for valuation is the content but not the length of the answer

6. a) Explain OSI reference model in detail. (CO2)
- Or
- b) Compare TCP/IP and OSI reference models (CO2)
- 
7. a) Explain coaxial and twisted pair cables (CO1)
- Or
- b) Explain IP address classes in detail. (CO4)
8. a) Explain Star and Mesh Topologies (CO3)
- Or
- b) Explain Ring and Bus Topologies (CO3)

**BOARD DIPLOMA EXAMINATIONS  
DIPLOMA IN COMPUTER ENGINEERING  
MODEL PAPER – YEAR END EXAMINATION  
Computer Networks**

**SCHEME: C-20  
MAX MARKS:80**

**SUBJ CODE: CM-405  
TIME: 3 HOURS**

**PART-A**

**Note: Answer all questions. Each question carries 3 marks**

**10 X 3=30M**

- |    |  |     |
|----|--|-----|
| 1. | Write the importance of networking                       | CO1 |
| 2. | Write any three differences between LAN and WAN          | CO1 |
| 3. | List any three network cables                            | CO1 |
| 4. | Write about RJ-45 jack                                   | CO1 |
| 5. | What are the components of IP address                    | CO4 |
| 6  | What is the importance of sub-netting.                   | CO4 |
| 7  | Differentiate between ARP and RARP                       | CO5 |
| 8  | Write the importance of protocols in networking          | CO5 |
| 9  | List any three responsibilities of network administrator | CO6 |
| 10 | Write about disk management tools                        | CO6 |

**PART-B**

**5x8=40Marks**

Note: Answer all questions

- |        |   |     |
|--------|---|-----|
| 11(a). | Explain about ISO reference model with neat diagram                                 | CO2 |
|        | OR  |     |
| 11(b). | Explain TCP/IP architecture with neat diagram                                       | CO2 |
| 12(a). | Explain any four LAN devices  | CO3 |
|        | OR  |     |
| 12(b). | Explain any four network topologies with neat diagrams                              | CO3 |
| 13(a). | Explain subnetting with a suitable example  | CO4 |
|        | OR  |     |
| 13b).  | explain IPv4 address classes  | CO4 |
| 14(a). | Explain any four network protocols  | CO5 |
|        | (OR)  |     |
| 14(b). | Write different steps involved in monitoring and troubleshoot the network           | CO6 |
| 15(a). | Write the steps to create and manage user groups using any network Operating system | CO6 |
|        | (OR)  |     |
| 15(b). | Write the steps to install and configure laser printer using any OS                 | CO6 |

**PART-C**

**1 X10=10M**

- |     |                        |     |
|-----|------------------------|-----|
| 16. | Compare VLSM and CIDR. | CO4 |
|-----|------------------------|-----|

Course code	Course Title	No. of Periods/Weeks	Total No. of periods	Marks for FA	Marks for SA
CM- 406	<b>Web Technologies Lab</b>	6	90	40	60

S.No.	Chapter/Unit Title	No.of Periods	CO's Mapped
1.	Exercises on HTML, CSS&XML	30	CO1
2.	Exercises on Java Script, AJAX, jQuery and Angular JS	30	CO2
3.	Exercises on PHP web applications and Database Applications	30	CO3,CO4
Total Periods		90	

Course Outcomes	Upon completion of the course the student shall be able to		
	CO1	CM-406.1	Design interactive web page(s) using HTML, CSS and JavaScript.
	CO2	CM-406.2	Demonstrate the Usage of AJAX, jQuery and Angular JS
	CO3	CM-406.3	Design Dynamic web site using server side PHP Programming
	CO4	CM-406.4	Design a simple web application with database connectivity using PHP.
	CO5	CM-406.5	Develop real world application with different web designing tools.

<b>Course Objectives</b>	<p>i) Understand the principles of creating an effective web page</p> <p>ii) To Know the working with HTML, CSS</p> <p>iii) acquire knowledge and skills for creation of web site considering both client and server side</p> <p>iv) familiarize the various Technologies like Java Script AJAX, jQuery, PHP.</p> <p>v) understand Database connectivity Using PHP</p>
--------------------------	--

### CO-PO/PSO Matrix

CO NO.	PO1	PO2	PO3	PO4	PO5	PO6	PO7	PSO1	PSO2	PSO3
CM-406.1	2	2	3	2		2	1	2	3	2
CM-406.2	1	3	3	3	1	3	1	3	3	3
CM-406.3		2	3	2	1	3	1	2	3	3
CM-406.4	1	1	3	2	2	3	2	2	3	3
CM-406.5	3	3	3	3	2	3	2	3	3	3
Average	1.75	2.2	3	2.6	1.5	2.8	1.4	2.4	3	2.8

**3=strongly mapped, 2=moderately mapped, 1=slightly mapped**

### **LEARNING OUTCOMES**

1. Exercises on basic HTML tags.
2. Design a HTML page using suitable table tags and attributes.
3. Design a HTML page with a form containing various controls.
4. Design a HTML page on iframes.
5. Exercises on CSS.
6. Exercises on designing a XML document.
7. Exercises on JavaScript functions.
8. Exercises on JavaScript arrays.
9. Write a JavaScript program using Ajax, to send the request to server and receive the response from server with example program.
10. Write a program on mouse events using jQuery.
11. Design a webpage to apply the Effects of jQuery to HTML elements.
12. Exercises on changing background color using css() function in jQuery.
13. Write a JavaScript program using DatePickerjQuery UI plugin-(download from <https://jqueryui.com/datepicker/>)
14. Write a Java Script program using Responsive Slides jQuery plugin-(download from [responsiveslides.com](http://responsiveslides.com))
15. Exercises on Angular JS Directives.
16. Install the following on local machine:
  - Apache Web server
  - MySQL
  - PHP and configure it to work with Apache Web server and MySQL.
17. Exercises on PHP arrays.
18. Design a form and access the elements of form using PHP.
19. Write PHP program to perform various operations on a database table using functions.
20. Write a PHP program to set a cookie.



**Mini Project: Student has to develop a Mini project applying the skills acquired from the learning outcomes of this course.**

**OBJECTIVES AND KEY COMPETENCIES:**

<b>Exp. No.</b>	<b>Name of the experiment</b>	<b>Objectives</b>	<b>Key Competencies</b>
1	Exercises on basic HTML tags	Create the HTML page with a title, heading, formatting and list tags in the body.	<ol style="list-style-type: none"> <li>1) Use any editor for writing HTML</li> <li>2) Add the tags with relevant content</li> <li>3) Save the file</li> <li>4) Open the file in a browser</li> <li>5) Test the results</li> </ol>
2	Design a HTML page using suitable table tags and attributes	Create the HTML page with a table and that table should have a header, body and footer.	<ol style="list-style-type: none"> <li>1) Identify the tags for creating the table</li> <li>2) Add header, body and footer to the table.</li> <li>3) Put some content in each section of table</li> <li>4) Save the file</li> <li>5) Open the file in a browser</li> <li>6) Test the results</li> </ol>
3	Design a HTML page with a form containing various controls	Create the HTML page with a form and add some controls like textbox, label to the form.	<ol style="list-style-type: none"> <li>1) Identify the tags to add a form and controls</li> <li>2) Add the form and put some controls in it.</li> <li>3) Save the file</li> <li>4) Open the file in a browser</li> <li>5) Test the results</li> </ol>
4	Design a HTML page on frames	Create the HTML page with multiple frames so that content in each frame will have different format and colors.	<ol style="list-style-type: none"> <li>1) Identify the tags for creating multiple frames</li> <li>2) Add some content to the frames and use different formats, colors for each frame.</li> <li>3) Save the file</li> <li>4) Open the file in a browser</li> <li>5) Test the results</li> </ol>
5	Design a style sheet to set the background color, position and dimensions of a HTML element	Create a style sheet which contains selectors to set the background color, position and dimensions of a HTML element.	<ol style="list-style-type: none"> <li>1) Identify the editor required for creating CSS</li> <li>2) Add selectors to set the background color, position and dimensions of an element.</li> <li>3) Save the CSS file</li> <li>4) Link the CSS file to a valid HTML page.</li> <li>5) Save the HTML page</li> <li>6) Open the HTML page in a browser</li> <li>7) Test the results</li> </ol>

Exp. No.	Name of the experiment	Objectives	Key Competencies
6	Exercises on designing a XML document	Create a XML Document on Student data	<ol style="list-style-type: none"> <li>1) Identify the editor required for creating XML</li> <li>2) Add required elements for student data</li> <li>3) Save the XML file as .xml extension</li> <li>4) Open the XML document in browser</li> <li>5) Test the results</li> </ol>
7	Exercises on JavaScript functions	Write a JavaScript program using function which performs sum of two numbers and function should call when button is clicked.	<ol style="list-style-type: none"> <li>1) Create a HTML file</li> <li>2) Write a JavaScript function which adds two numbers.</li> <li>3) Add HTML button tag and assign a function to on click attribute.</li> <li>4) Save the HTML file.</li> <li>5) Open the HTML page in a browser</li> <li>6) Test the results Resolve the errors if any through debugging</li> </ol>
8	Exercises on JavaScript arrays	Write JavaScript code to implement sorting like reading an array of 'n' numbers and sorting them in ascending order.	<ol style="list-style-type: none"> <li>1) Create a HTML file</li> <li>2) Add elements to read array and to sort.</li> <li>3) Write the logic for sorting using iterative and conditional statements.</li> <li>4) Save the HTML file.</li> <li>5) Open the HTML page in a browser</li> <li>6) Test the results</li> </ol> <p>Resolve the errors if any through debugging</p>
9	Write a JavaScript program using Ajax, to send the request to server and receive the response from server with example program	Write JavaScript program which sends a request to server using ajax, receives information and display it.	<ol style="list-style-type: none"> <li>1) Create a HTML file</li> <li>2) Create a function which sends a request to "https://www.w3schools.com/xml/ajax_info.txt" and receive the information and display in the body.</li> <li>3) Create a button.</li> <li>4) Call JavaScript function when button click.</li> <li>5) Save the HTML file.</li> <li>6) Open the HTML page in a browser</li> <li>7) Test the results. Resolve the errors if any through debugging</li> <li>8) Observe that when button click that is displayed without reloading the page.</li> </ol>

Exp. No.	Name of the experiment	Objectives	Key Competencies
10	Write a program on mouse events using JQuery	Write a JavaScript program using JQuery which displays different messages for mouse events like mouse enter, mouse leave, click, dblclick	<ol style="list-style-type: none"> <li>1) Create a HTML file</li> <li>2) Add a div tag with some content and border.</li> <li>3) Write a JQuery functions which displays different messages when mouse enters in div tag, mouse leaves div tag and clicks on div tag.</li> <li>4) Save the HTML file.</li> <li>5) Open the HTML page in a browser</li> <li>6) Test the results by moving moues over the div tag.</li> <li>7) Resolve the errors if any through debugging</li> </ol>
11	Design a webpage to apply the Effects of jQuery	Write a JavaScript program using jQuery which performs effects like hide, show, slideupfadeIn, fadeout, slideDown, SlideUp	<ol style="list-style-type: none"> <li>1) Create a HTML file</li> <li>2) Add a div tag with some content and border.</li> <li>3) Add some buttons</li> <li>4) Write a jQuery functions which performs some effect when click on respective button.</li> <li>5) Save the HTML file.</li> <li>6) Open the HTML page in a browser</li> <li>7) Test the results by click on the button. Resolve the errors if any through debugging</li> </ol>
12	Exercises on changing background color using CSS properties in jQuery	Write a JavaScript program using jQuery which changes css properties like color, background-color, border etc.	<ol style="list-style-type: none"> <li>1) Create a HTML file</li> <li>2) Add a div tag with some content</li> <li>3) Add some buttons</li> <li>4) Write a jQuery functions which changes CSS properties like color, border when click on respective button.</li> <li>5) Save the HTML file.</li> <li>6) Open the HTML page in a browser</li> <li>7) Test the results by click on the button. Resolve the errors if any through debugging</li> </ol>
13	Write a JavaScript program using Date Picker jQuery UI plugin(download from <a href="https://jqueryui.com/datepicker/">https://jqueryui.com/datepicker/</a> )	Write a JavaScript program using jQuery which displays datepicker.	<ol style="list-style-type: none"> <li>1) Create a HTML file</li> <li>2) Add jQuery script tag.</li> <li>3) Add JQueryUI, which can be downloaded from <a href="https://jqueryui.com">https://jqueryui.com</a></li> <li>4) Add jQuery UI css file</li> <li>5) Add a textbox</li> <li>6) Write jQuery code for display date picker</li> <li>7) Save the HTML file.</li> <li>8) Open the HTML page in a browser</li> <li>9) Test the results by click on the button. Resolve the errors if any through debugging</li> </ol>

Exp. No.	Name of the experiment	Objectives	Key Competencies
14	Write a JavaScript program using Responsive SlidesjQuery plugin(download from responsiveslides.com)	Write a JavaScript program using jQuery which displays date picker.	<ol style="list-style-type: none"> <li>1) Create a HTML file</li> <li>2) Add jQuery script tag.</li> <li>3) Add slider plugin, which can be downloaded from <a href="http://responsiveslides.com">http://responsiveslides.com</a></li> <li>4) Add plugins file</li> <li>5) Add images</li> <li>6) Write jQuery code for display slideshow of images</li> <li>7) Save the HTML file.</li> <li>8) Open the HTML page in a browser</li> <li>9) Test the results by click on the button.</li> </ol> Resolve the errors if any through debugging
15	Exercises On Angular JS Directives	Exercise On Angular JS Directives	<ol style="list-style-type: none"> <li>1) Create a HTML file</li> <li>2) Add <a href="https://ajax.googleapis.com/ajax/libs/angularjs/1.3.14/angular.min.js">https://ajax.googleapis.com/ajax/libs/angularjs/1.3.14/angular.min.js</a> file in Script tag of src.</li> <li>3) Save the HTML file.</li> <li>4) Open the HTML page in a browser</li> <li>5) Test the results by click on the button.</li> </ol> Resolve the errors if any through debugging
16	Install the following on local machine: <ul style="list-style-type: none"> <li>• Apache Web server</li> <li>• MySQL</li> <li>• PHP and configure it to work with Apache Web server and MySQL.</li> </ul>	Install a web server which supports PHP	<ol style="list-style-type: none"> <li>1) Identify version compatible to system</li> <li>2) Download the software(XAMP)</li> <li>3) Install the server software(XAMP)</li> <li>4) Configure the server</li> <li>5) Write simple PHP program</li> <li>6) Test the result</li> </ol>
17	Exercise on PHP arrays	Write PHP program to implement searching like reading an array of '_n' numbers and finding smallest among them.	<ol style="list-style-type: none"> <li>1) Create a PHP file.</li> <li>2) Add elements to read array and to find the smallest number.</li> <li>3) Write the logic for sorting using iterative and conditional statements.</li> <li>4) Save and Run the page.</li> </ol> Test the result
18	Design a form and access the elements of form using PHP	Write a php program which displays sum of two numbers submitted by the form	<ol style="list-style-type: none"> <li>1) Create a HTML file</li> <li>2) Add form with two textboxes for enter two numbers</li> <li>3) Write a PHP program, which adds two numbers submitted by form and display the sum.</li> <li>4) Place the files in server</li> <li>5) Open the HTML file in browser</li> <li>6) Test the results</li> </ol>

Exp. No.	Name of the experiment	Objectives	Key Competencies
19	Write PHP code to perform various operations on a database table using functions.	Write PHP code to perform retrieval, insertion, modification and deletion of data in a database table using functions	1) Understand the process of connecting to database and execute commands. 2) Create a PHP file. 3) Add required elements to the page. 4) Write the logic to retrieve, insert, update and delete data in the table using functions. 5) Save and Run the page. 6) Test the result
20	Write a PHP program to set a cookie.	Write PHP code to create a cookie and put some information in it.	1) Understand the significance of cookies. 2) Create a PHP file. 3) Write the logic to create and set a cookie 4) Save and Run the page. 5) Test the result.

Course code	Course Title	No. of Periods/Weeks	Total No. of periods	Marks for FA	Marks for SA
CM-407	OOP through C++ Lab	4	60	40	60

S.No.	Chapter/Unit Title	No. of Periods	CO's Mapped
1.	Exercise Programs on C++ basic constructs	10	CO1
2.	Exercise Programs on Classes and Objects	15	CO1
3.	Exercise Programs on Operator Overloading	10	CO2
4.	Exercise Programs on Inheritance	15	CO3
5.	Exercise Programs on Templates	10	CO4,CO5
Total Periods		60	

<b>Course Objectives</b>	i) Design programs on C++ basic constructs  ii) Implement C++ programs on all OOP's principles.  iii) Able to design generic programs
--------------------------	---

<b>Course Outcomes</b>	Upon completion of the course the student shall be able to		
	CO1	CM-407.1	Execute programs using I/O operators, loops, Classes, objects and functions.
	CO2	CM-407.2	Write programs using Constructors, Destructors and Operator overloading
	CO3	CM-407.3	Execute programs using Derived classes and types of inheritance.
	CO4	CM-407.4	Run generic programs using Templates
	CO5	CM-407.5	Develop a project in real world problems.

**CO-PO/PSO Matrix:**

CO NO.	PO1	PO2	PO3	PO4	PO5	PO6	PO7	PSO1	PSO2	PSO3
CM-407.1	3	2	3	3	1	3	2	3	2	3
CM-407.2	2	2	1	2	1	2	2	3	3	3
CM-407.3	2	2	2	2	1	1	1	2	3	2
CM-407.4	3	3	3	2	1	2	2	3	3	2
CM-407.5	1	3	3	3	2	2	1	3	3	3
<b>Average</b>	<b>2.2</b>	<b>2.4</b>	<b>2.4</b>	<b>2.4</b>	<b>1.2</b>	<b>2</b>	<b>1.6</b>	<b>2.8</b>	<b>2.8</b>	<b>2.6</b>

3=strongly mapped, 2=moderately mapped, 1=slightly mapped

### Learning Outcomes

1. Write programs using input and output operators and comments.
2. Write programs using if/ if – else/ nested if statement.
3. Write programs using loop statements – while/ do-while / for.
4. Write programs using arrays.
5. Write programs using classes & object.
6. Write programs using constructor and destructor.
7. Write programs working with two/more classes using Friend function.
8. Write programs using inline function.
9. Write a program to pass an object as a functions argument – pass object by Value, pass object by reference.
10. Write a program to demonstrate the use of function overloading.
11. Write a simple program on array of objects and pointers to objects.
12. Write a program to demonstrate the operator overloading on unary & binary operators
13. Write programs using new, delete with classes.
14. Write simple programs illustrating use of all types of inheritances.
15. Write a program to illustrate virtual base class.
16. Write a Program to illustrate virtual functions.
17. Write a Program to illustrate class templates.
18. Write a Program to illustrate function templates

### Reference Books:

- |  |                               |
|--|-------------------------------|
| 1. Teach yourself C++                                | - Helbertschildt Osborne McG  |
| 2. Object-oriented Programming with C++              | - PoornachandraSarang PHI     |
| 3. Programming with C++                              | - E. Balaguruswamy – TMH      |
| 4. Computer Science: A Structured Approach using C++ | - Forouzan/Gillbert - Thomson |
| 5. C++ & OOPS Paradigm                               | - DebasishJana PHI            |

**E-References:**

1. <https://www.tutorialspoint.com/cplusplus/index.htm>
2. <http://www.cplusplus.com/doc/tutorial/>
3. <https://www.programiz.com/cpp-programming>
4. <https://beginnersbook.com/2017/08/c-plus-plus-tutorial-for-beginners/>
5. <http://www.cplusplus.com/files/tutorial.pdf>

**OBJECTIVES AND KEY COMPETENCIES:**

Exp. No.	Name of the experiment	Objectives	Key Competencies
1	Write programs using input and output operators and comments.	(a) Write a program to accept input and display it. (b) Write comments in a program.	(a) Identify the header files required (c) Use <i>cin</i> and <i>cout</i> . (d) Write comments. (e) Compile the program. (f) Rectify the errors in the program. (g) Run the program. (h) Test the output with various input data. (i) Save the file.
2	Write programs using if/ if – else/ nested if statement.	Write programs using conditional control statement.	(a) Identify the header files required (b) Use various conditional control statements. (c) Compile the program. (d) Rectify the errors in the program. (e) Run the program. (f) Test the output with various input data. (g) Save the file.
3	Write programs using loop statements – while/ do-while / for.	(a) Write a program using loop statements. (b) Write the same program using other loops.	(a) Identify the header files required (b) Use various loop statements. (c) Compile the program. (d) Rectify the errors in the program. (e) Run the program. (f) Observe the output with various input data. (g) Save the file.

			(h) Write the same program using while/ do – while/ for statement.
4	Write programs using arrays.	Write programs using arrays.	(a) Identify the header files required (b) Declare array. (c) use appropriate loop statements to input and process arrays. (d) Compile and Rectify the errors if any. (d) Execute and Test the output.
5	Write programs using classes & object.	(a) Write a program using classes and objects and define the methods within the class. (b) Write a program using classes and objects and define the methods outside the class.	(a) Create a class (b) Identify data members required and define methods to a class. (c) Declare methods within the class and outside the class. (d) Use scope resolution operator. (e) Create objects of a class. (f) use objects to develop code (f) Execute the program.
6	Write programs using constructor and destructor.	(a) Write a program using default constructor. (b) Write a program using parameterized constructor. (c) Write a program using copy constructor. (d) Write a program using constructor and destructor.	(a) use appropriate type of constructors & destructor. (c) develop the code for the required concept using initiations done by constructors (d) Compile ,execute and test the result
7	Write programs working with two/more classes using friend function.	Write a program using friend function.	(a) Develop classes to access data members using proper access specifiers (b) Declare friend function. (c ) develop code using friend functions and related objects (d) Compile ,execute and test the result
8	Write programs using inline function.	Write a program using inline function.	(a) Declare inline function with syntax. (b) use in file functions as required (c) Compile ,execute and test the result
9	Write a program to pass an object as a function argument.	Write a program to pass an object as a functions argument (a) pass object by value, (b) pass object by reference.	(a) Pass objects by value. (b) Pass objects by reference.
10	Write a program to demonstrate the use of function overloading.	Write program to illustrate the usage of function overloading.	(a) Use function overloading. (b) Declare methods in function overloading.
11	Write a simple program on array of objects and pointers to objects.	Write a simple program on array of objects and pointers to objects.	(a) Create array of objects. (b) Create pointers to objects.



12	Write a program to demonstrate the use of operator overloading on unary operator & binary operators like ++ operator and << operator.	(a) Write a program using unary operator. (b) Write programs using binary operator.	(a) Use operator overloading for unary and binary operators. (b) Declare methods for operator overloading.
13	Write programs using new, delete with classes.	Write programs to illustrate the use of new and delete with classes.	Use dynamic allocation operators.
14	Write simple programs illustrating use of all types of inheritances.	Write simple programs illustrating use of (a) single inheritance. (b) multiple inheritance. (c) multilevel inheritance.	(a) Create base class and derived class. (b) Use: operator. (c) Use access specifiers.
15	Program illustrating virtual base class.	Write a program to illustrate the usage of virtual base class.	(a) Create virtual base class. (b) Use virtual keyword.
16	Program illustrating virtual functions.	Write a program to illustrate the usage of virtual functions.	(a) Create virtual functions. (b) Use virtual keyword.
17	Programs illustrating class templates.	Write a program to illustrate the usage of class templates.	(a) Use class templates (b) Create class templates.
18	Programs illustrating function templates.	Write a program to illustrate the usage of function templates.	(a) Create function templates with single argument. (b) Create function templates with multiple arguments.

### Communication Skills

Course Code	Course Title	No. of Periods/Week	Total No. of Periods	Marks for FA	Marks for SA
Common 408	Communication Skills	3	45	40	60

S. No.	Unit Title	No of Periods	COs Mapped
1	Listening Skills	6	CO1
2	Introducing Oneself	3	CO1, CO2, CO3
3	Short Presentation (JAM)	6	CO1, CO2, CO3
4	Group Discussion	6	CO1, CO2, CO3
5	Preparing Resume with Cover Letter	3	CO3
6	Interview Skills	9	CO1, CO2, CO3
7	Presentation Skills	9	CO1, CO2
8	Work place Etiquette	3	CO1, CO2
<b>Total Periods</b>		<b>45</b>	

<b>Course Objectives</b>	To comprehend the features of communication needed for professional success and display the use of these competently
	To present ideas, opinions in group discussions and presentations on topics of general and technical interest
	To prepare for job selection processes

CO No.	Course Outcomes
CO1	Interacts in academic and social situations by comprehending what is listened to when others speak.
CO2	Demonstrates effective English communication skills while presenting ideas, opinions in group discussions and presentations on topics of general and technical interest
CO3	Exhibits workplace etiquette relevant in classroom situations for easy adaptation in professional setting in the future

## CO-PO Matrix

Course Code	Course Title: English			No. of Periods: 45	
Common-408	Number of Course Outcomes: 3				
POs	Mapped with CO No.	CO Periods Addressing PO in Column 1		Level of Mapping (1,2,3)	Remarks
		Number	Percentage %		
PO1		Not directly applicable for Communication Skills Course however interactive activities that use content from science and technology relevant to the Programme taken up by the student shall be exploited for communication in the Course.			
PO2					
PO3					
PO4					
PO5	CO1, CO2, CO3	11	25%		>60%: Level 3
PO6	CO1, CO2, CO3	27	60%		16 -59%: Level 2
PO7	CO1, CO2, CO3	7	15%		Up to 15%: Level 1

Level 3 – Strongly Mapped

Level 2- Moderately Mapped

Level 1- Slightly Mapped

### Mapping Course Outcomes with Program Outcomes:

CO	PO 1	PO 2	PO 3	PO 4	PO 5	PO 6	PO 7
CO 1					✓	✓	✓
CO 2					✓	✓	✓
CO3					✓	✓	✓

### Blue Print for evaluation based on Course Outcomes for SA:

**Note: Every Question based on CO has to be given marks for the following parameters of communication in the rubric.**

- Fluency and Coherence
- Lexical Resource (Vocabulary)
- Grammatical Range and Accuracy

**\*Rubric Descriptors 'Good/ Competent / Fair /Poor' for Communication**

<b>LEVEL OF COMPETENCE</b>	<b>Fluency and Coherence</b>	<b>Lexical Resource (Vocabulary)</b>	<b>Grammatical Range and Accuracy</b>
<b>GOOD (9-10*)</b>	Speaks at length without noticeable effort or loss of coherence. May demonstrate language-related hesitation at times, or some repetition and/or self-correction.	Uses vocabulary resources flexibly during discussion. Uses paraphrase effectively.	Uses a range of complex structures with some flexibility.
	Uses a range of connectives and discourse markers with some flexibility. <b>Articulates and adapts to near naturalization.</b>	Uses some less common vocabulary and shows some awareness of style and collocation	Mostly produces error-free sentences.
<b>COMPETENT (6-8)</b>	Is willing to speak at length, though may lose coherence at times due to occasional repetition, self-correction or hesitation.	Has enough vocabulary to discuss topics and make meaning clear in spite of inappropriacies.	Uses a mix of simple and complex structures, but with limited flexibility.
	Uses a range of connectives and discourse markers but not always appropriately.	Generally paraphrases successfully	May make mistakes with complex structures though these rarely cause comprehension problems.
<b>FAIR (3-5)</b>	Tries to maintain a flow of speech but t uses repetition, self correction and/or slow speech to keep going.	Manages to talk about familiar and unfamiliar topics but uses vocabulary with limited flexibility.	Produces only basic sentence forms, however, errors persist.
	Produces simple speech fluently, but more complex communication causes fluency problems.	Attempts to use paraphrase but with mixed success.	Uses a limited range of more complex structures, but these usually contain errors and may cause some comprehension problems
<b>POOR (0 *-2)</b>	Speaks with long pauses. Pauses lengthily before most words. <b>Merely imitates</b>	Uses simple vocabulary to convey personal information	Attempts basic sentence forms but with limited success, or relies on apparently memorized utterances
	Has limited ability to link simple sentences	Has insufficient vocabulary for less familiar topics	Makes numerous errors except in memorized expressions
	Gives only simple responses and is frequently unable to convey basic message	Only produces isolated words or memorized utterances	Struggles to produce basic sentence forms

s\*10 marks to be awarded only if competence level shows flawless expertise in English.  
 \*0 marks to be awarded when student shows incoherence and gives irrelevant responses.

**Blue Print for evaluation based on Course Outcomes for SA of each student:**

**Note: Marks are awarded for each student as per the Rubric descriptors.**

S. No.	Questions based on Course Outcomes	Periods Allocated for practical work	Marks Wise Distribution of Weightage	Marks allotment for each Student in the Rubric*				Mapping of COs
				Poor 0-2	Fair 3-5	Competent 6-8	Good 9-10	
1	Describe the given object in a minute	6	10					CO 2
2	Exchange ideas/ views in a group discussion on _____ issue (academic, technical or social )	6	10					CO1, CO 2
3	Present your ideas /opinions on the given issue/ topic (individual to an audience)	9	10					CO1, CO2, CO 3
4	Role play an imaginary work-place situation	6	10					CO1, CO2, CO 3
5	Individual interaction with the Examiner duly submitting Resume ( Facing the Interview) – Introducing oneself and answering questions	12	10					CO1, CO2, CO 3
6	*Listen to and comprehend any audio communication/ content	6	10					CO1, CO2, CO 3
TOTAL		45	60					

**\*Listen to and comprehend the given audio content:** Giving the Students time to read the questions (Fill in the Blanks, Select from Alternatives, True or False, Table fill, etc.) in chunks before listening to audio inputs also played in chunks.

**Blue Print for evaluation based on Course Outcomes for Formative Assessment:**

**Note: Every Question based on CO has to be given marks for the following parameters in the rubric.**

- Fluency and Coherence
- Lexical Resource
- Grammatical Range and Accuracy

S. No.	Questions based on Course Outcomes	Periods Allocated for practical work	Marks Wise Distribution of Weightage	Marks allotment for each Student in the Rubric*				Mapping of COs
				Poor 0-2	Fair 3-5	Competent 6-8	Good 9-10	
<b>Formative Assessment - 1</b>								
1	Describe the given object in a minute	3	10					CO 2
2	Exchange ideas/ views in a group discussion on _____ issue (academic, technical or social )	6	10					CO1, CO 2
3	Present your ideas /opinions on the given issue/ topic (individual to an audience)	6	10					CO1, CO2, CO 3
4	*Listen to and comprehend any audio communication/ content	3	10					CO1, CO2, CO 3
<b>Total</b>		<b>18</b>	<b>40</b>					
<b>Formative Assessment - 2</b>								
1	Present your ideas /opinions on the given issue/ topic (individual to an audience)	3	10					
2	Role play an imaginary work-place situation	6	10					CO1, CO2, CO 3
3	Individual interaction with the Examiner duly submitting Resume ( Facing the Interview) – Introducing oneself and answering questions	15	10					CO1, CO2, CO 3

4	*Listen to and comprehend any audio communication/ content	3	10					CO1, CO2, CO 3
<b>TOTAL</b>		<b>27</b>	<b>40</b>					

### Learning Outcomes

#### 1. Listening Skills:

- 1.1 Listen to audio content (dialogues, interactions, speeches, short presentations) and answer questions based on them
- 1.2 Infer meanings of words / phrases / sentences / after listening to audio content as mentioned above

#### 2. Introducing Oneself:

- 2.1 Prepare a grid different aspects for presentation about a person / oneself
- 2.2 Present a 1 or 2 minute introduction of oneself for an audience

#### 3. Short Presentation:

- 3.1 Define an object
- 3.2 Describe an object, phenomenon, event, people
- 3.3 Speak on a topic randomly chosen

#### 4. Group Discussion:

- 4.1 Practice Group Discussion. Techniques
- 4.2 Participate in group discussions

#### 5. Resume Writing and Cover Letter:

- 5.1 Prepare resumes of different sorts – one's own and others.
- 5.2 Write an effective cover letter that goes with a resume

#### 6. Interview Skills:

- 6.1 Prepare a good Curriculum Vitae
- 6.2 Exhibit acceptable (Greeting, Thanking, Answering questions with confidence)

#### 7. Presentation Skills:

- 7.1 Prepare Posters, Charts, PPT's on issue of general and technical interest
- 7.2 Present one's ideas before an audience with confidence using audio visual aids and answer questions that are raised.

#### 8. Workplace Etiquette:

- 8.1 Show positive attitude & adaptability / appropriate body language to suit the work place
- 8.2 Display basic of etiquette like politeness, good manners.

Course Code	Course title	No of periods/ week	Total no of periods	Marks for FA	Marks for SA
CM-409	Computer Hardware & Network Maintenance Lab	06	90	40	60

S No	Chapter/ Unit Title	No. of Periods	COs Mapped
1.	Computer Hardware	45	CO1,CO2,CO3
2.	Computer Networking	30	CO3.CO4.CO5
3.	Network Maintenance through server	15	CO4,CO5,CO6
	Total	90	

<b>COURSE OBJECTIVES</b>	<ol style="list-style-type: none"> <li>1. Identify all the components of mother board.</li> <li>2. Modify CMOS settings as required</li> <li>3. Troubleshoot desktop computer</li> <li>4. Troubleshoot individual resources like keyboard, Monitor, Printers</li> <li>5. Install drives, NIC cards, modems(internal, external)</li> <li>6. Install network devices, design and develop network.</li> <li>7. Understand ip address classes and sub netting</li> <li>8. Prepare cross and straight Ethernet cables</li> <li>9. Install and configure proxy server</li> <li>10. Install any network operating system and Control/maintain the network and network resources using server administration and Troubleshoot the entire network</li> </ol>
--------------------------	---

Course Outcomes	Upon completion of the course the student shall be able		
	CO1	CM-409.1	Assemble the PC with suitable components.
	CO2	CM-409.2	Troubleshoot desktop system and individual peripheral devices.
	CO3	CM-409.3	Demonstrate configuring computer network with subnetting
	CO4	CM-409.4	Perform user and group management techniques through
	CO5	CM-409.5	Troubleshoot the computer network.
	CO6	CM-409.6	Configure any network device.

### CO-PO/PSO MATRIX

CO NO.	PO1	PO2	PO3	PO4	PO5	PO6	PO7	PSO1	PSO2	PSO3
CM-409.1	2	1	2					2		
CM-409.2	3	3	1	3				2		
CM-409.3	2	2	3	2	3	2	2	2	2	2
CM-409.4	2	2	2			2	2	2		2
CM-409.5	3	3	1	3				2		
CM-409.6	2	2	3	2	3	2	2	2		2
Average	2.3	2.2	2	2.5	3	2	2	2	2	2

3=Strongly mapped , 2=moderately mapped, 1=slightly mapped



**Learning Outcomes:**

1. Identify various mother board Components
2. Perform various operations and modifications required for CMOS setup.
3. Print the summary of your system Hardware and verify for correctness
4. Upgrading memory and verify the effect after upgrading.
5. Hard drive, optical drive installation.
6. How to recover lost data on hard drive.
7. Trouble shooting keyboard and monitor
8. Trouble shoot Printer Problems
9. Installation of Network card.
10. Dis-assembling and assembling of working desktop.
11. Preparing the Ethernet cable for cross and direct connections using crimping tool and test using LAN tester.
12. Installation of a switch and connecting systems to a network switch.
13. Installation of a modem (internal, external or USB) and connecting to internet.
14. Using FTP for uploading and downloading files.
15. Installation and configuring the proxy server for internet access.
16. Setting of particular IP address to an existing terminal system
17. Installation of network operating system
18. Creating and managing user accounts through network server.
19. Configuration of DHCP and DNS
20. Exercise on File/Folder accessing rights for sharing
21. Exercise on remote desktop.
22. Exercise on setting up of VPN on network

**OBJECTIVES AND KEY COMPETENCIES:**

S.No.	Name of the experiment	Objectives	Key Competencies
1	Exercise on Identification and familiarization of various components of mother board.	Identification and familiarization of various components of computer system.	<ul style="list-style-type: none"> <li>❖ Identify and note down mother board, Components and Chips.</li> <li>❖ Identify various Internal and External slots in the mother board and clean them with blower/ Brush.</li> <li>❖ Practice Inserting and Removing RAM with care.</li> <li>❖ Measure the Output voltages of SMPS.</li> </ul>
2	Exercise on various operations and modifications required for CMOS setup.	Perform various operations and modifications required for CMOS setup.	<ul style="list-style-type: none"> <li>❖ Identify location of CMOS battery on mother board.</li> <li>❖ Know how to replace CMOS battery.</li> <li>❖ Identify keyboard key for entering BIOS setup.</li> <li>❖ Setup CMOS settings</li> <li>❖ Check the status of CMOS settings after replacement.</li> </ul>
3	Exercise on Print the summary of your system Hardware and verify for correctness	Print the summary of your system Hardware and verify for correctness	<ul style="list-style-type: none"> <li>❖ Know how to open system summary window</li> <li>❖ Check whether all the hardware peripherals are working properly or not.</li> <li>❖ Know how to install device drivers</li> <li>❖ Know how to enable and disable hardware peripherals.</li> <li>❖ Print the hardware summary page.</li> </ul>
4	Exercise on Upgrading memory and verify the effect after upgrading.	Upgrading memory and verify the effect after upgrading.	<ul style="list-style-type: none"> <li>❖ Know the location of RAM slots</li> <li>❖ Know how to insert or replace RAM chips</li> <li>❖ Check the system properties for confirming the RAM up gradation.</li> </ul>
5	Exercise on Hard drive, optical drive installation.	Hard drive, optical drive installation.	<p>Hard drive:</p> <ul style="list-style-type: none"> <li>❖ Identify the Hard drive slot.</li> <li>❖ Know how to remove power supply and SATA cables from hard drive.</li> <li>❖ Unscrew Hard drive from computer case</li> <li>❖ Replace new Hard drive and fix it in computer case</li> <li>❖ Know how to connect power supply cable and SATA cables to Hard drive</li> <li>❖ Check for the working condition of new Hard Drive.</li> </ul> <p>Optical drive:</p> <ul style="list-style-type: none"> <li>❖ Identify the Optical drive slot.</li> <li>❖ Know how to remove power supply and SATA cables from Optical drive.</li> </ul>

			<ul style="list-style-type: none"> <li>❖ Unscrew Optical drive from computer case</li> <li>❖ Replace new Optical drive and fix it in computer case</li> <li>❖ Know how to connect power supply cable and SATA cables to Optical drive</li> <li>❖ Check for the working condition of Optical drive.</li> </ul>
6	Exercise on recovery of lost data on hard drive.	How to recover lost data on hard drive.	<ul style="list-style-type: none"> <li>❖ Verify the available recovery tools of Operating system.</li> <li>❖ Know how to recover lost data on Hard drive using Restore point.</li> <li>❖ Know how to recover lost data on Hard drive using Recovery Image.</li> </ul>
7	Exercise on Trouble shooting keyboard and monitor.	Trouble shooting keyboard and monitor.	<ul style="list-style-type: none"> <li>❖ few keys do not work.</li> <li>❖ keyboard does not work at all.</li> <li>❖ Key continuous to repeat after being released.</li> <li>❖ key produces wrong character.</li> <li>❖ Power light (led) does not go on, no picture.</li> <li>❖ Power LED light is on no picture power up.</li> <li>❖ Power on but monitor display wrong character.</li> <li>❖ Monitor flickers has wary lines.</li> <li>❖ Screen goes blank 30 seconds or minute after the keyboard is left untouched</li> </ul>
8	Exercise on Printer Problems	Printer Problems	<p>Laser printer:</p> <ul style="list-style-type: none"> <li>❖ Printer never leaves warm-up mode.</li> <li>❖ Paper Jam message is displayed</li> <li>❖ Printed messages are distorted</li> <li>❖ RE-filling and replacing cartridge</li> <li>❖ Replacing damaged drum with new one.</li> <li>❖ Perform head cleaning</li> </ul> <p>DMP</p> <ul style="list-style-type: none"> <li>❖ Print head moves back and forth but nothing prints.</li> <li>❖ Print self-test works but printing from a computer application does not work etc.,</li> </ul>
9	Exercise on Installation of Network card.	Installation of Network card.	<ul style="list-style-type: none"> <li>❖ Identify the slot for placing NIC card</li> <li>❖ Know how to place NIC card</li> <li>❖ Install required NIC driver</li> <li>❖ Check for working status of NIC card</li> </ul>
10	Exercise on Dis-assembling and assembling of working desktop.	Dis-assembling and assembling of working desktop.	<ul style="list-style-type: none"> <li>❖ Identify all the peripherals of Desktop computer.</li> <li>❖ Check the working condition of system before dis-assembling it.</li> <li>❖ Dis-assemble all the peripherals.</li> <li>❖ Assemble all the peripherals.</li> <li>❖ Check the working condition of system after assembling it.</li> </ul>
11	Exercise on	Preparing the Ethernet	<ul style="list-style-type: none"> <li>❖ Know the color pattern of Ethernet cable for direct connection.</li> </ul>

	Preparing the Ethernet cable for cross and direct connections using crimping tool and test using LAN tester.	cable for cross and direct connections using crimping tool and test using cable tester.	<ul style="list-style-type: none"> <li>❖ Prepare UTP cable for direct connection using crimping tool.</li> <li>❖ Check the working condition of cable using LAN tester.</li> <li>❖ Know the color pattern of Ethernet cable for cross connection.</li> <li>❖ Prepare UTP cable for cross connection using crimping tool.</li> <li>❖ Check the working condition of cable using LAN tester.</li> </ul>
12	Exercise on Installation of a switch and connecting systems to a network switch.	Installation of a switch and connecting systems to a network switch	<ul style="list-style-type: none"> <li>❖ Know the purpose of switch</li> <li>❖ Run Ethernet cables from switch to individual nodes</li> <li>❖ Connect Ethernet cables of nodes to switch.</li> <li>❖ Check the network status of the connection in computer system.</li> </ul>
13	Exercise on Installation of a modem (internal, external or USB) and connecting to internet.	Installation of a modem (internal, external or USB) and connecting to internet.	<p>Internal modem</p> <ul style="list-style-type: none"> <li>❖ Identify PCI slot for placing Internal modem</li> <li>❖ Connect internal modem</li> <li>❖ Install required modem driver</li> <li>❖ Check for the working condition</li> </ul> <p>External modem</p> <ul style="list-style-type: none"> <li>❖ Connect External modem</li> <li>❖ Install required modem driver</li> <li>❖ Check for the working condition</li> </ul> <p>USB modem</p> <ul style="list-style-type: none"> <li>❖ Connect USB modem</li> <li>❖ Install required modem driver</li> <li>❖ Check for the working condition</li> </ul>
14	Exercise on Using FTP for uploading and downloading files.	Using FTP for uploading and downloading files.	<ul style="list-style-type: none"> <li>❖ Know about FTP protocol</li> <li>❖ Know how to upload file using FTP</li> <li>❖ Know how to download file using FTP</li> </ul>
15	Exercise on Installation and configuring the proxy server for internet access	Installation and configuring the proxy server for internet access	<ul style="list-style-type: none"> <li>❖ Know about proxy server.</li> <li>❖ Know how to install proxy server.</li> <li>❖ Know how to configure proxy server.</li> </ul>
16	Exercise on Setting of particular IP address to an existing terminal system	Setting of particular IP address to an existing terminal system	<ul style="list-style-type: none"> <li>❖ Know about IP addresses</li> <li>❖ Know how to set IP addresses to the computer systems in a LAN</li> </ul>

17	Exercise on Installation of network operating system	Installation of network operating system	<ul style="list-style-type: none"> <li>❖ Know about different network operating systems.</li> <li>❖ Install required Network operating systems</li> <li>❖ Configure the system with the proper settings.</li> </ul>
18	Exercise on Creating and managing user accounts through network server.	Creating and managing user accounts through network server.	<ul style="list-style-type: none"> <li>❖ Know how to create user accounts</li> <li>❖ Know how to modify user accounts</li> <li>❖ Know how to delete user accounts</li> </ul>
19	Exercise on Configuration of DHCP and DNS.	Configuration of DHCP and DNS.	<ul style="list-style-type: none"> <li>❖ Know about static IP address, dynamic IP address</li> <li>❖ Know about DHCP</li> <li>❖ Configure the DHCP</li> <li>❖ Know about DNS</li> <li>❖ Configure the DNS</li> </ul>
20	Exercise on File/Folder accessing rights for sharing	File/Folder accessing rights for sharing.	<ul style="list-style-type: none"> <li>❖ Know the different accessing rights</li> <li>❖ Know how to give access rights</li> <li>❖ Know how to remove access rights</li> <li>❖ Know how to share file/folders</li> </ul>
21	Exercise on remote desktop.	Exercise on remote desktop.	<ul style="list-style-type: none"> <li>❖ Know about remote login</li> <li>❖ Know how to login to the remote desktop</li> </ul>
22	Exercise on setting up of VPN on network	Exercise on setting up of VPN on network	<ul style="list-style-type: none"> <li>❖ Know about VPN</li> <li>❖ Know how to configure VPN service</li> </ul>

# **V SEMESTER**

**DIPLOMA IN COMPUTER ENGINEERING  
SCHEME OF INSTRUCTIONS AND EXAMINATION**

**CURRICULUM-2020**

**(V Semester)**

Sub Code	Name of the Subject	Instruction Periods/Week		Total Periods Per Semester	Scheme Of Examinations			
		Theory	Practicals		Duration (hrs)	Sessional Marks	End Exam Marks	Total Marks
<b>THEORY SUBJECTS</b>								
CM-501	Industrial Management and Entrepreneurship	5	-	75	3	20	80	100
CM-502	Java Programming	5	-	75	3	20	80	100
CM-503	Software Engineering	5	-	75	3	20	80	100
CM-504	Internet Of Things	5	-	75	3	20	80	100
CM-505	Python programming	5	-	75	3	20	80	100
<b>PRACTICAL SUBJECTS</b>								
CM-506	Java Programming Lab	-	4	60	3	40	60	100
CM-507	Python Programming Lab	-	4	60	3	40	60	100
CM-508	Life Skills	-	3	45	3	40	60	100
CM-509	Project work	-	6	90	3	40	60	100
	<b>Total</b>	<b>25</b>	<b>17</b>	<b>630</b>	<b>-</b>	<b>260</b>	<b>640</b>	<b>900</b>

Note:CM-501,502,503,506 common with DIT branch

CM-505 common with IT 404

CM-507 common with IT 407

CM-508 common with all branches

Course code	Course Title	No. of Periods/ Weeks	Total No. of periods	Marks for FA	Marks for SA
CM-501	Industrial Management and Entrepreneurship	5	75	20	80

S.No.	Chapter/Unit Title	No.of Periods	CO's Mapped
1.	Principles and functions of Industrial Management	08	CO1
2.	Organisation structure & Organisational behaviour	16	CO2
3.	Production Management	12	CO3
4.	Materials Management, Maintenance management & Industrial Safety	19	CO4
5.	Entrepreneurship Development & Quality management.	20	CO5
Total Periods		75	

<b>Course Objectives</b>	<p>Upon completion of the course the student shall be able to</p> <ol style="list-style-type: none"> <li>1. Understand the principles and functions of industrial management, organization structure and organisational behaviour.</li> <li>2. Understand the production management, materials management, maintenance management and industrial safety.</li> <li>3. Understand the entrepreneurship development and trends in management.</li> </ol>
--------------------------	---

Course Outcomes	At the end of the course the student will be able to:		
	CO1	CM-501.1	Explain various principles and functions of industrial management.
	CO2	CM-501.2	Explain organisation structure and organisational behaviour.
	CO3	CM-501.3	Apply CPM and PERT techniques in production management.
	CO4	CM-501.4	Apply materials management techniques, maintenance management and industrial safety.
	CO5	CM-501.5	Describe Entrepreneurship Development and Quality management aspects.



### CO-PO/PSO Matrix:

CO NO.	PO1	PO2	PO3	PO4	PO5	PO6	PO7	PSO1	PSO2	PSO3
CM-501.1	2				2	2		2		
CM-501.2	2			2	2	2		2		
CM-501.3	1	3	3	2		3			3	3
CM-501.4	2			2	2	2		2		2
CM-501.5	3		1		2	2	3	2		2
<b>Average</b>	<b>2</b>	<b>3</b>	<b>2</b>	<b>2</b>	<b>2</b>	<b>2.2</b>	<b>3</b>	<b>2</b>	<b>3</b>	<b>2.3</b>

**3=strongly mapped, 2=moderately mapped, 1=slightly mapped**

### Learning outcomes:

#### Principles and functions of Industrial Management

- 1.1 Define industry, commerce (Trade) and business.
- 1.2 Know the need for management.
- 1.3 Understand the evolution of management
- 1.4 Understand functions of Management.
- 1.5 Explain the principles of scientific management.
- 1.6 Explain the principles of management.
- 1.7 Differentiate between management and administration.
- 1.8 Understand the nature of management as a profession
- 1.9 Differentiate between supervisory, middle and Top level management
- 1.10 Explain the importance of managerial skills (Technical, Human, Conceptual)

#### 2.0 Organisation Structure & organisational behaviour

- 2.1 Explain the philosophy and need of organisation structure of an industry.
- 2.2 Discuss the line, staff and Functional organisations
- 2.3 Explain the Authority and Responsibility Relationships
- 2.4 List the differences between Delegation and decentralization
- 2.5 Explain the factors of effective organisation
- 2.6 Outline the communication process
- 2.7 State motivational theories.
- 2.8 State Maslow's Hierarchy of needs.
- 2.9 List different leadership models.
- 2.10 Explain the trait theory of leadership
- 2.11 Explain behavioural theory of Leadership
- 2.12 Explain the process of decision making.
- 2.13 Assessing Human resource requirements
- 2.14 Describe the concept of Job analysis, Job description and specifications
- 2.15 Explain the process of recruitment, selection, training and development
- 2.16 List and explain types of business ownerships

- 2.17 Differentiate between the business ownerships
- 2.18 State the objectives of Employee participation
- 2.19 Give the meaning and definition social responsibilities
- 2.20 Explain corporate social responsibilities

### **3.0 Production management**

- 3.1 Identify the factors of Plant Location
- 3.2 List the objectives of plant Layout
- 3.3 State the principles of plant Layouts
- 3.4 Explain the types of plant Layouts
- 3.5 Relate the production department with other departments.
- 3.6 State the need for planning and its advantages.
- 3.7 State different types of production.
- 3.8 Explain the stages of Production, planning and control.
- 3.9 List the basic methods forecasting
- 3.10 Explain routing methods.
- 3.11 Explain scheduling methods.
- 3.12 Explain dispatching.
- 3.13 Explain Break Even Analysis
- 3.14 Define supply chain Management, competitive strategy, Supply chain strategy
- 3.15 Explain project scheduling.
- 3.16 Draw CPM and PERT networks.
- 3.17 Identify the critical path.
- 3.18 Simple numerical problems on CPM and PERT.

### **4.0 Materials Management, Maintenance management & Industrial Safety**

- 4.1 Explain the importance and functions of materials management in Industry.
- 4.2 State an expression for inventory control.
- 4.3 Explain ABC analysis.
- 4.4 Define safety stock and reorder level
- 4.5 State an expression for economic ordering quantity.
- 4.6 State the functions of Stores Management,
- 4.7 Explain types of store layouts.
- 4.8 List out stores equipment and stores records.
- 4.9 Explain general purchasing procedures
- 4.10 Explain tendering, E-tendering and E-procurement procedures
- 4.11 List purchase records.
- 4.12 Explain the Bin card.
- 4.13 Describe Cardex method.
- 4.14 List the applications of RFID in material management
  
- 4.15 Explain Objectives and activities of maintenance management
- 4.16 Explain the importance of maintenance management in Industry.
- 4.17 Explain the importance of Preventive maintenance
- 4.18 State the need for scheduled maintenance
- 4.19 Differentiate between scheduled and preventive maintenance
- 4.20 Know the principles of 5 s for good housekeeping
- 4.21 Explain the importance of safety at Work place.
- 4.22 List the important provisions related to safety.
- 4.23 Explain hazard and accident.

- 4.24 List any six different hazards in the Industry.
- 4.25 Explain any six causes of accidents.
- 4.26 Explain the direct and indirect causes of accidents.
- 4.27 Explain the types of emission from process Industries, their effects environment and control
- 4.28 Describe the principles of solid waste management

## **5.0 Entrepreneurship Development & Quality management.**

- 5.1 Define the word entrepreneur.
- 5.2 Explain the requirements of an entrepreneur.
- 5.3 Determine the role of entrepreneurs in promoting Small Scale Industries.
- 5.4 Describe the details of self-employment schemes.
- 5.5 Characteristic of successful entrepreneurs
- 5.6 Explain the method of site selection.
- 5.7 List the financial assistance programmes.
- 5.8 List out the organisations that help an entrepreneur
- 5.9 Know the use of EDP Programmes
- 5.10 Understand the concept of make in India, Zero defect and zero effect
- 5.11 Understand the importance for startups
- 5.12 Explain the conduct of demand surveys
- 5.13 Explain the conduct of a market survey
- 5.14 Evaluate Economic and Technical factors.
- 5.15 Prepare feasibility report study
- 5.16 Explain the concept of quality.
- 5.17 List the quality systems and elements of quality systems.
- 5.18 State the principles of quality Assurance.
- 5.19 Explain management information system (MIS)
- 5.20 Explain the basic concepts of TQM
- 5.21 State the Pillars of TQM
- 5.22 List the evolution of ISO standards.
- 5.23 Explain ISO standards and ISO 9000 series of quality systems.
- 5.24 List the beneficiaries of ISO 9000.
- 5.25 Explain the concepts of ISO 14000
- 5.26 Give the overview of PDCA cycle
- 5.27 State Kaizen strategy.

## **Course Content**

### **1. Principles and functions of Industrial Management**

Introduction: Industry, Commerce and Business; Definition of management; Functions of management - Principles of scientific management by F.W. Taylor, Principles of Management by Henry Fayol; Administration and management; levels of management; managerial skills;

### **2. Organisation Structure & organisational behaviour**

Organizing - Process of Organizing; Line, Staff and functional Organizations, Decentralization and Delegation, Communication, Motivational Theories; Leadership Models; Human resources development; recruitment selection training and development, Forms of Business ownerships: Types – Sole proprietorship, Partnership, Joint Stock Companies, Cooperative Organization; objectives of employee participation, Corporate Social responsibility;

### **3. Production management**

Definition and importance; objectives and principles of plant layout, Plant location and types of layout; Types of production -job, batch and mass; production Planning and Control: basic methods of forecasting, routing, scheduling, dispatching and follow up; Break even analysis; Project scheduling; Application of CPM and PERT techniques; simple numerical problems;

### **4. Materials Management, Maintenance management & Industrial Safety**

Materials in industry, Importance and functions of materials management, Basic inventory control model, ABC Analysis, Safety stock, re-order level, Economic ordering quantity, Stores Management: Stores layout, stores equipment, Stores records, purchasing procedures, tendering, e-tendering, e-procurement; purchase records, Bin card, Cardex, RFID Applications in materials management, Objectives and importance of maintenance management, Different types of maintenance, Schedules of preventive maintenance, scheduled maintenance Advantages of preventive maintenance, Advantages of scheduled maintenance, Importance of Safety at work places; industrial hazards; Causes of accidents. 5S Principles

### **5. Entrepreneurship Development & Quality Management.**

Definition of Entrepreneur; Requirements of entrepreneur, Role of Entrepreneur; Entrepreneurial Development, Details of self-employment scheme, financial assistant programmes, organisations that help entrepreneurs (SSI, MSME, DIC, Banks) Concept of Make In India, ZERO defect, Zero Effect, Concept of Start-up Company, Demand survey and Market survey; Preparation of Feasibility study reports  
Concept of quality, quality systems and its terms, principles of quality assurance, Introduction to Management Information System (MIS); Total Quality Management (TQM), ISO 9000 series , ISO-14000, Deming's PDCA Cycle (Plan, Do, Check and Action). Kaizen Strategy (continuous improvement)

#### ***REFERENCE BOOKS***

1. Industrial Engineering and Management -by O.P Khanna
2. Production Management- by Buffa.
3. Engineering Economics and Management Science - by Banga & Sharma.
4. Personnel Management by Flippo.
5. Production and Operations Management –S.N. Chary
6. Converging\_Technologies\_for\_Smart\_Environments\_and\_Integrated\_Ecosystems\_IERC\_Book\_Open\_Access\_2013pages-54-76
7. Supply Chain Management –Sunil Chopra and Meindl, PHI publishers
8. 5 S made easy by David Visco

**MODEL BLUE PRINT**

S.No.	Chapter/Unit title	No.of periods	Weightage Allocated	Marks Wise Distribution of Weightage				Question wise Distribution of Weightage				CO's Mapped
				R	U	Ap	An	R	U	Ap	An	
1	Principles and functions of Industrial Management	08	11	3	8			1	1			CO1
2	Organisation structure & Organisational behaviour	16	14	3	11		*	1	2		*	CO2
3	Production Management	12	14	3	11		*	1	2		*	CO3
4	Materials Management, Maintenance management & Industrial Safety	19	14	6	8		*	2	1		*	CO4
5	Entrepreneurship Development & Quality management.	20	17	9	8		*	3	1		*	CO5
	<b>Total *</b>	<b>75</b>	<b>70 +10*</b>	<b>24</b>	<b>46</b>		<b>10*</b>	<b>8</b>	<b>7</b>		<b>1</b>	

Note: Part-C: 10 marks single analytical question may be chosen from chapters marked with \*.

**Table specifying the scope of syllabus to be covered for unit tests**

Unit Test	Learning outcomes to be covered
Unit test-1	From 1.1 to 3.18
Unit test-2	From 4.1 to 5.27

**DIPLOMA IN COMPUTER ENGINEERING  
MODEL PAPER  
Industrial Management and Entrepreneurship**

**UNIT TEST-1**

**SCHEME: C-20**  
**MAX MARKS: 40**

**SUBJ CODE: CM-501**  
**TIME: 90 MINUTES**

**PART-A**

**16 Marks**

**Instructions:** 1) Answer all questions  
2) First question carries 4 marks and remaining carries 3 marks each.

1. a) Management and Administration are synonyms (True/False) (CO1)
- b) Maslow's Hierarchy of needs states ..... (CO2)
- c) CPM stands for..... (CO3)
- d) Which one the following is not a managerial skill [ ] (CO3)
- i) Technical II) Commercial III) Human IV) Conceptual
- 2) Define supervisory management. (CO1)
- 3) Differentiate delegation and decentralization. (CO2)
- 4) List the objectives of plant Layout. (CO3)
- 5) Define project scheduling. (CO3)

**PART-B**

**3 X 8=24Marks**

**Instructions:** 1) Answer all questions  
2) Each question carries 8 Marks  
3) Answer should be comprehensive and the criterion for valuation is the content but not the length of the answer

- 6.A. Explain the principles of management. (CO1)  
(Or)
- B.Explain the nature of management as a profession. (CO1)
- 7.A.Describe line, staff and functional organizations. (CO2)  
(Or)
- B.Explain the Concept of Job Analysis, Job Description & specification. (CO2)
8. A. Explain Break-Even Analysis. (CO3)  
(Or)
- B.In the table below a list of activities are there and their duration is given: (CO3)

Activity	1-2	2-3	4-3	1-4	2-5	3-5	4-5
Duration	2	1	3	3	3	2	4

- (a) Prepare the network.  
(b) Identify critical path.  
(c) Calculate the project completion.

**DIPLOMA IN COMPUTER ENGINEERING  
MODEL PAPER –END EXAMINATION  
Industrial Management and Entrepreneurship**

**SCHEME: C-20  
MAX MARKS:80**

**SUBJ CODE: CM-501  
TIME: 3 HOURS**

**PART - A**

Answer all the Questions. Each Question Carries 3 marks

1. Define industry, commerce and business. (CO1)
2. Write the advantages of line and staff organization. (CO2)
3. What are the types of leadership? (CO2)
4. Define the terms Routing and Scheduling. (CO3)
5. State the importance of materials management (CO3)
6. Differentiate between bin card and cardex methods. (CO4)
7. List any three important provisions related to safety (CO4)
8. Define the term Entrepreneur. (CO5)
9. List the financial assistance programs. (CO5)
10. State the benefits of ISO 9000 series. (CO5)

**PART – B**

Answer all the Questions. Each Question Carries 8 marks

- 11.A. Explain the principles of scientific management. (CO1)  
OR  
B. Explain the importance of managerial skills (CO1)
- 12.A. Define motivation. Explain Maslow's need hierarchy theory. (CO2)  
or  
B. Explain the types of business ownerships. (CO2)
13. A. Explain the stages of production, planning and control (CO3)  
Or  
B. In the table below a list of activities are there and their duration is given : (CO3)

Activity	1-2	1-3	2-4	2-5	2-3	4-7	5-7	3-6	6-7	7-8
Optimistic time	4	1	2	3	2	1.5	1.5	2.5	1.5	1
Most likely time	5	1.5	3	4	3	2	3	3.5	2	2
Permissible time	12	5	4	11	4	2.5	4.5	7.5	2.5	3

- (d) Prepare the network.
- (e) Identify critical path.
- (f) Calculate the project completion.

14. A. Explain ABC analysis with the help of neat sketch. (CO4)  
Or  
B. Explain the importance of maintenance management in industry. (CO4)
15. A. Explain the details of self-employment schemes. (CO5)  
Or  
B. Explain the role of entrepreneurs in promoting small scale industries. (CO5)

**PART – C**

**1X10=10Marks**

1. Among PERT and CPM which one is suitable for unpredictable activities justify? (CO4)



Course code	Course Title	No. of Periods/Weeks	Total No. of periods	Marks for FA	Marks for SA
CM-502	Java Programming	5	75	20	80

S.No.	Chapter/Unit Title	No.of Periods	CO's Mapped
1.	Basics of java and overloading	12	CO1,CO2
2.	Concepts of inheritance, overriding, Interfaces and Packages	14	CO2
3.	I/O Streams and Collections.	14	CO3
4.	Exception handling and Multi-threaded programming.	16	CO4
5.	Applets, AWT and Event Handling	19	CO4,CO5
Total Periods		75	

<b>Course Objectives</b>	i) To know applying object oriented programming paradigm in problem solving on the platform of Sun Microsystems. ii) Able to design multi-tasking application with the knowledge of multi-threading. iii) Familiarized to develop graphical user interface with event handling mechanism.
--------------------------	---

Course Outcomes	At the end of the course the student will be able to:		
	CO1	CM-502.1	Explain the fundamental concepts of JAVA and Overloading.
	CO2	CM-502.2	Apply reusability features like inheritance and polymorphism.
	CO3	CM-502.3	Analyze modular design for real time applications by using packages concept in projects.
	CO4	CM-502.4	Apply multithreading concepts to implement multitasking and multi programming applications.
	CO5	CM-502.5	Design effective dynamic user interface for any front end applications using Applets and events.

### CO-PO/PSO Matrix

CO NO.	PO1	PO2	PO3	PO4	PO5	PO6	PO7	PSO1	PSO2	PSO3
CM-502.1	2	1	1	2		2	1	2	2	2
CM-502.2	1	3	3	3	1	3	1	1	3	1
CM-502.3		2	3	2	2	3	1	1	3	3
CM-502.4	1	1	3	2	2	3	2	2	3	2
CM-502.5	3	3	3	3	2	3	2	2	3	3
Average	1.75	2	2.4	2.4	1.75	2.8	1.4	1.6	2.8	2.2

**3=Strongly mapped, 2=moderately mapped, 1=slightly mapped**

#### **Learning Outcomes:**

##### **1.0 Basics of java and overloading**

- 1.1 Describe history and importance of Java in Internet programming.
- 1.2 Compare Java & C++.
- 1.3 Explain features of Java.
- 1.4 Define Byte codes of Java and JVM.
- 1.5 Give the steps to write and execute a Java program.
- 1.6 Explain primitive data types of java.
- 1.7 Describe conversion and casting features.
- 1.8 Explain one-dimensional and two-dimensional arrays and give example programs.
- 1.9 Describe how to create classes and objects.
- 1.10 Apply the Usage of new operator and methods.
- 1.11 Explain usage of constructors with example programs.
- 1.12 Apply method overloading and constructor overloading in applications.
- 1.13 Describe usage of 'this' pointer,
- 1.14 Explain Usage of static in variables, methods, and blocks with example.
- 1.15 Know about string classes.
- 1.16 Usage of command-line arguments.
- 1.17 Describe the importance of final keyword.

##### **2.0 Concepts of inheritance, overriding, Interfaces and Packages**

- 2.1 Explain inheritance with an example program.
- 2.2 Illustrate how to implement multilevel inheritance with an example program.
- 2.3 Explain method overriding and usage of super keyword.
- 2.4 Describe concept of Interfaces.
- 2.5 Differences between abstract classes and interface.
- 2.6 Explain implementation of interfaces with sample program.
- 2.7 Define a package.
- 2.8 Explain the concept of class path.
- 2.9 Describe concept of Access protection.
- 2.10 Illustrate the mechanism of importing packages.
- 2.11 Develop simple application to design packages with sample programs.

### **3.0 I/O Streams and Collections.**

- 3.1 List different types of I/O streams.
- 3.2 Explain how to read and write data through console input and output streams and write a sample program.
- 3.3 Explain how to use DataInputStream and DataOutputStream to access primitive data types and write a sample program.
- 3.4 Explain various file access operations by using File Streams and write a sample program..
- 3.5 What is a collection framework and Hierarchy of collection framework and write a sample program.
- 3.6 Describe ArrayList, LinkedList
  - 3.6.1 Constructors
  - 3.6.2 Methods
  - 3.6.3 Comparisons between above two classes.
  - 3.6.4 Sample programs
- 3.7 Explain Iterator and List Iterator interface methods and write a sample program.
- 3.8 Describe List interface and HashSet and HashTable class
  - 3.8.1 Constructors
  - 3.8.2 Methods
  - 3.8.3 Sample programs.
- 3.9 Describe Map interface and HashMap class for the following
  - 3.8.1 Constructors
  - 3.8.2 Methods
  - 3.8.3 Sample programs
- 3.10 Explain EnumSet and EnumMap classes and write a sample program..

### **4.0 Exception handling and Multi-threaded programming.**

- 4.1 Describe sources of errors.
- 4.2 Give advantages of Exception handling.
- 4.3 Explain types of exceptions Checked and Unchecked
- 4.4 Write sample programs to make use of Try, Catch, Finally, Throw, Throws
- 4.3 Explain concept of Multi-catch statements with example.
- 4.4 Explain how to write nested try in exception handling with example.
- 4.5 Describe built in exceptions.
- 4.6 Describe multithreading.
- 4.7 Explain Thread life cycle and states
- 4.5 Explain how to Creating single thread with example program.
- 4.6 Explain how to Creating multi thread with example program.
- 4.7 Illustrate thread priorities in multiple threads with an example.
- 4.8 Describe the concept of synchronization with example program.
- 4.9 Explain Inter thread communication with example program.
- 4.10 Explain dead lock.

### **5.0 Applets, AWT, Event Handling.**

- 5.1 Describe the basics of Applets – Life cycle of an applet.
- 5.2 Describe steps for design and execute sample applet program
- 5.3 Explain Graphics class methods Update() Paint(), Drawing Lines, Rectangle, circles, polygons
- 5.4 Describe the process of Working with Color Font classes.
- 5.5 Describe AWT classes
- 5.6 Explain how to design Frame window with example.
- 5.7 Describe Types of Events
- 5.8 List and explain sources of events.

- 5.9 List and explain different event classes.
- 5.10 List and explain event listener interfaces
- 5.11 Demonstrate event handling mechanism.
- 5.12 Demonstrate handling mouse events with sample program.
- 5.13 Demonstrate handling keyboard events with sample program.
- 5.14 Explain how to use the following AWT controls in applet programming.
  - a. Labels.
  - b. Buttons.
  - c. Text Fields
  - d. Checkboxes.
  - e. Lists.
  - f. Choice
  - g. Scrollbars.

## **COURSE CONTENTS**

**1. Basics of java and overloading:** Importance of Java to Internet – Byte codes. Features of Java: OOPS concepts –Data types –type conversions – casting – Arrays. Usage of classes – objects – new – methods – constructors – method overloading, string classes – command line arguments-static members-this pointer

**2. Concepts Inheritance Overriding Interfaces and Package:**-Usages of Inheritance: inheritance super class, sub classes – Multi level inheritance – super keyword -overriding –Abstract classes- Interfaces-Packages.

**3. Concepts of I/O Streams and Collections:**I/O streams-Accessing data through console input and output-DataInputStream- DataOutput Stream –Collection Frame work-Array List-Linked List-Iterator and List Interface-Hash table-Hash Map-Enum Set-Enum Map

**4. Exception Handling and Multi threading:** – Exception handling: Source of errors – error handling – Exception handling-Multi catch statements- Define thread – life cycle of thread - Multi threading – Synchronization- Inter thread communication – Dead locks – Thread properties.

**5. Applets, AWT and Event Handling:** Basics of Applets – life cycle of an applet-Working with Graphics-color-fonts-AWT classes-Event classes-Listener interfaces-keyboard and Mouse events-AWT controls-Buttons-Text Fields-Check Box-List

## **REFERENCE BOOKS**

1. The complete reference Java -- PatrickNaughten, Herbert Schildt TMH Company Limited, New Delhi.
2. Programming in JAVA -- P. Radhakrishna, University Press
3. Programming in Java -- Muthu - Thomson
4. Java Foundations of Programming – NIIT, PHI
5. Programming with Java -- Balagurusamy, TMH

### MODEL BLUE PRINT

S.No.	Chapter/Unit title	No.of periods	Weightage Allocated	Marks Wise Distribution of Weightage				Question wise Distribution of Weightage				CO's Mapped
				R	U	Ap	An	R	U	Ap	An	
1	Features and Basics of java	14	14	3	11			1	2			CO1
2	Concepts of overloading, inheritance, overriding	13	14		14		*		3		*	CO2
3	Concepts of I/O Streams, Interfaces and Packages	13	14	3	3	8	*	1	1	1	*	CO3
4	Exception handling and Multi threaded programming.	16	14		6	8	*		2	1	*	CO4
5	Applets, AWT and Event Handling	19	14	3	11		*	1	2		*	CO5
	<b>Total</b>	<b>75</b>	<b>70+10*</b>	<b>15</b>	<b>39</b>	<b>16</b>	<b>10*</b>	<b>3</b>	<b>10</b>	<b>2</b>	<b>1</b>	

Note: Part-C: 10 marks single analytical question may be chosen from chapters marked with \*.

#### Table specifying the scope of syllabus to be covered for unit tests

Unit Test	Learning outcomes to be covered
Unit test-1	From 1.1 to 3.5
Unit test-2	From 3.6 to 5.14

**DIPLOMA IN COMPUTER ENGINEERING  
MODEL PAPER  
JAVA PROGRAMMING  
UNIT TEST-1**

**SCHEME: C-20  
MAX MARKS:40**

**SUBJ CODE:CM-502  
TIME: 90 MINUTES**

**PART-A**

**16Marks**

**Instructions:** 1) Answer all questions  
2) First question carries 4 marks and remaining carries 3 marks each.

1. a) is 'this' keyword is refers currently invoked object proprieties (True/False) (CO1)
- b) -----is fully abstract class. (CO2)
- c) Which of the following is not a java access specifier. [ ] (CO2)
- I) public II) default III) private IV) super
- d) Which one of the following are java translator [ ] (CO1)
- I) interpreter II) compiler III) assembler IV) I & II
2. What is the use of constructor and list different types of constructors? (CO1)
3. Write the differences between abstract class and interface. (CO2)
4. List different types of I/O streams. (CO3)
5. What is the use of super keyword? (CO3)

**PART-B**

**3X8=24Marks**

**Instructions:** 1) Answer all questions  
2) Each question carries 8 Marks  
3) Answer should be comprehensive and the criterion for valuation is the content but not the length of the answer

6. a) Explain method over loading with an example program. (CO1)
- Or
- b) Explain how to use static members in java with example. (CO1)
7. a) Explain multilevel inheritance with example program. (CO2)
- Or
- b) How java implements multiple inheritance with interface? Explain with example. (CO2)
8. a) Explain how to create and import package. (CO3)
- Or
- b) Describe how to access primitive data types through keyboard with an example. (CO3)

**Board Diploma Examination**  
**Model Question paper-End Exam**  
**Diploma in Computer Engineering**  
**Java Programming**

**SCHEME: C-20**  
**MAX MARKS:80**

**SUBJ CODE: CM-502**  
**TIME: 3 HOURS**

---

**Part-A**

**Answer All Questions each carries three marks**                      **10X3=30**

- |   |     |
|---|-----|
| 1. Define Byte code and JVM   | CO1 |
| 2. State the purpose of final keyword.                              | CO1 |
| 3. Define overriding and give the syntax.                           | CO2 |
| 4. What is the use of 'super' keyword?                              | CO2 |
| 5. List different file access operations in java.                   | CO3 |
| 6. Write any three methods in DataInputStream and DataOutputStream. | CO3 |
| 7. Write the advantages of exceptions.                              | CO4 |
| 8. List different methods in thread life cycle.                     | CO4 |
| 9. What is an event? List different event Listeners.                | CO5 |
| 10. Write different constructors in TextField.                      | CO5 |

**Part-B**

**Answer All Questions carries eight marks**                      **5X8=40**

- |   |     |
|---|-----|
| 11.(a ) Explain the features of Java programming                                    | CO1 |
| (or)  |     |
| (b) What is constructor? Describe usage of constructor with example.                | CO1 |
| 12. (a) Explain overloading with example program.                                   | CO2 |
| (or)  |     |
| (b) Explain how to implements multi-level inheritance with example.                 | CO2 |
| 13. (a) Explain how to read and write primitive data using streams with an example. | CO3 |
| (or)  |     |
| (b) Explain how to create and import packages in java.                              | CO3 |
| 14. (a) Write a java program to apply multi catch statements.                       | CO4 |
| (or)  |     |

(b) Explain how to create multiple threads with an example. CO4

15. (a) Explain about keyboard events with sample program. CO5

(or)

(b) Explain how to use the following List AWT control in applet programming. CO5

**Part-C**

**Answer the following Question**

**16.** Can it be possible to replace Java Projects by JavaScript and justify your answer?

(CO5)

Course	Course Title	No. of Periods/Week	Total No.	Marks for	Marks for SA
--------	--------------	---------------------	-----------	-----------	--------------



code		s	of periods	FA	
CM-503	Software Engineering	5	75	20	80

S.No.	Chapter/Unit Title	No.of Periods	CO's Mapped
1.	Basics of Software Engineering Designs & Life Cycle Models	10	CO1
2.	Software Project Management	18	CO2
3.	Requirement Analysis & Specifications	10	CO1,CO3
4.	Software Design, Coding	22	CO1,CO3,CO5
5.	Software testing, Debugging, Reliability, Quality Management & Maintenance	15	CO4,CO5
Total Periods		75	

<b>Course Objectives</b>	<ul style="list-style-type: none"> <li>i)To know the fundamentals of software engineering life cycle modes</li> <li>ii)To familiarize project managements</li> <li>iii)To design software projects with the help of software engineering principles and UML models</li> </ul>
--------------------------	---

<b>Course Outcomes</b>	At the end of the course the student able to :		
	CO1	CM-503.1	Explain Software life cycle models and basics of software engineering.
	CO2	CM-503.2	Describe Software Project Management
	CO3	CM-503.3	Prepare SRS document
	CO4	CM-503.4	Apply Design ,coding& testing techniques.
	CO5	CM-503.5	Apply quality and reliability metrics

**CO-PO/PSO Matrix:**

CO NO.	PO1	PO2	PO3	PO4	PO5	PO6	PO7	PSO1	PSO2	PSO3
CM-503.1	3	2	3	2	2	1	1	2	2	2
CM-503.2	3	3	3	3	1	3	2	2	2	3
CM-503.3	3	3	1		3		1	2	2	3
CM-503.4	3	3	3	3	2	2	2	2	3	3
CM-503.5	3	2	3	3	2	2	3	2	2	3
Average	3	2.6	2.6	2.2	2	2	1.8	2	2.2	2.8

3=strongly mapped, 2=moderately mapped, 1=slightly mapped

### Learning Outcomes:

#### 1.0 Basics of Software Engineering Designs & Life Cycle Models

##### 1.1 Study the Evolution and Impact of the Software Engineering

1.1.1 Evolution of an Art to an Engineering Discipline

1.1.2 Explain Solution to the Software Crisis?

##### 1.2 Write the difference between Programs and Software Products

##### 1.3 Explain the following

1.3.1 Early Computer Programming

1.3.2 High Level Language Programming

1.3.3 Control Flow-Based Design

1.3.4 Data Structure-Oriented Design

1.3.5 Data Flow-Oriented Design

1.3.6 Object Oriented Design

1.3.7 Other Developments

##### 1.4 Explain the Software Life Cycle Models

1.4.1 Classical Waterfall Model

1.4.2 Iterative Water fall Model

1.4.3 Prototyping Model

1.4.4 Evolutionary Model

1.4.5 Spiral Model

1.4.6 Comparison of Different Life Cycle Models

## **2.0 Software Project Management**

2.1 Explain the Responsibilities of a Software Project Manager

2.1.1 Job Responsibilities of a Software Project Manager

2.1.2 Skills Necessary for Software Project Management

2.2 Know about Software Project Planning

2.3 Explain SPMP Document.

2.4 State the Metrics for Project Size Estimation: Lines of Code, Function Point Metric

2.5 Explain the three Project Estimation Techniques

2.5.1 Empirical Estimation Technique

2.5.2 Heuristic Technique

2.5.3 Analytical Estimation Technique

2.6. Explain the two different works of Staffing Level Estimations

2.6.1 Norden's Work

2.6.2 Putnam's Work

2.7 Explain four ways of Scheduling

2.7.1 Work Break Down Structure

2.7.2 Activity Networks and Critical Path Method

2.7.3 Gantt Charts

2.7.4 PERT Charts

2.8 Describe how to do Staffing – “ Who is a Good Software Engineer?”

2.9 Explain Risk Management

2.9.1 Risk Identification

2.9.2 Risk Assessment

2.9.3 Risk Containment

### **3.0 Requirement Analysis & Specifications**

- 3.1 Explain Requirements Gathering and Analysis.
- 3.2 Explain Software Requirement Specifications (SRS).
  - 3.2.1 Contents of the SRS Document
  - 3.2.2 Functional Requirements
  - 3.2.3 How to identify the Functional Requirements
- 3.3. Documenting the Functional Requirements
- 3.4 Explain requirements Traceability.
- 3.5. List Characteristics of a Good SRS Document
- 3.6. Give Examples of Bad SRS Document
- 3.7. Explain Organization of the SRS Document

### **4.0 Software Design, Coding & Testing**

- 4.1 What is a good Software Design?
- 4.2 Define and Classify Cohesion and Coupling
  - 4.2.1 Classification of Cohesiveness
  - 4.2.2 Classification of Coupling
- 4.3 Approaches of Software Design
  - 4.3.1 Explain Function-Oriented Design
  - 4.3.2 Explain Object-Oriented Design
  - 4.3.3 Function-Oriented vs Object-Oriented Design
- 4.4. User Interface Design
  - 4.4.1 List the Characteristics of a good User Interface.
  - 4.4.2 Explain the Basic Concepts - User Guidance and Online Help - Mode Based vs Modeless Interface -Graphical User Interface (GUI) vs Text-Based User Interface.
  - 4.4.3 List the two types of User Interfaces - Command Language Based Interface - Menu Based Interface - Direct Manipulation Interfaces.
  - 4.4.4 Explain Component Based GUI Development Window System and Types of Widgets.
- 4.5. Unified Modelling Language

- 4.5.1. List the goals of UML
- 4.5.2. State the role of UML in Object oriented Design
- 4.5.3. List the building blocks of UML : Things, Relationships, and Diagrams
- 4.5.4. Explain the UML building blocks
- 4.5.5. List the different symbols used in UML notation
- 4.5.6. Classify and list standard UML diagrams
- 4.6. State the purpose of Class diagram and draw simple class diagrams.
- 4.7. Usecase diagram
  - 4.7.1. Define the term Usecase
  - 4.7.2. Know the purposes of Usecase diagram
  - 4.7.3. Explain to draw the Usecase diagram
- 4.8. Interaction diagram
  - 4.8.1. State the purposes of Interaction diagram
  - 4.8.2. List the types of interaction diagrams: Sequence diagram and Collaboration diagram
  - 4.8.3. Illustrate drawing the Interaction diagrams

## **5.0 Testing, Debugging, Reliability, Quality Management & Maintenance**

- 5.1. Explain the following Concepts of Software Coding and Testing.
  - 5.1.1. Coding Standards and Guidelines - Code Review- Code Walk-Throughs - Code Inspection.
  - 5.1.2 Clean Room Testing - Software Documentation- Software Testing
  - 5.1.3 What is testing?
  - 5.1.4 Differentiate Verification and Validation.
  - 5.1.5 List 3 Designs of Test Cases.
  - 5.1.6 Differentiate Testing in the Large vs Testing in the Small.
  - 5.1.7 Explain Unit Testing - Driver and Stub Modules.
  - 5.1.8 Explain about Black box Testing and White Box Testing.
  - 5.1.9 Explain Open source software testing tools – Selenium, Bugzilla
- 5.2 Concepts of Debugging

- 5.2.1 Explain the Debugging Approaches.
- 5.2.2 List the Debugging Guidelines.
- 5.3 List and Explain Program Analysis Tools (Static Analysis Tools, Dynamic Analysis Tools)
- 5.4 List and Explain types of Integration Testing.
- 5.5 Explain System Testing.
- 5.6 Explain Performance Testing.
- 5.7. Understand the concept of Software Reliability
  - 5.7.1 Differentiate Hardware Reliability and Software Reliability
  - 5.7.2 List the different Reliability Metrics
  - 5.7.3 Understand the Reliability Growth Modelling
- 5.8. Define Statistical Testing
- 5.9. Define Software Quality
- 5.10. Explain Software Quality Management System
- 5.11 Explain the Evolution of Quality Systems.
- 5.12. Define SEI Capability Maturity Model

## **COURSE CONTENT**

1. Introduction to Software Engineering- Life Cycle Models.
2. Software Project Management- Responsibilities of a Software Project Manager- Project planning – Metrics-Project Estimation Techniques- Staffing Level Estimation – Scheduling – Risk Management
3. Requirement Analysis and Specification: Requirement Gathering and Analysis - SRS document
4. Software Design , Coding and Testing: Good software design, Cohesion and Coupling, Software Design Approaches, User interface Design, Software Coding and Goals of UML - Role of UML in Object oriented Design - Building blocks of UML : Things, Relationships, and Diagrams - Symbols used in UML notation - Classify and list standard UML diagrams - Class diagram, purposes of class diagram, draw the class diagram - Use case diagram, define the term Use case, purposes of Use case diagram, draw the Use case diagram - Interaction diagram, purposes of Interaction diagram, the types of interaction diagrams : Sequence diagram and Collaboration diagram, draw the Interaction diagrams.

5. Software Testing, Debugging, Reliability, Quality Management and maintenance – Testing, Debugging software Reliability- Statistical Testing, Software Quality, Software Quality Management System, SEI capability Maturity Model

#### **REFERENCE BOOKS**

1. Fundamentals of Software Engineering – Rajib Mall ( PHI)Second Edition.

2. Software Engineering - Jawadekar (TMH)

3. Software Engineering Concepts - Fairley (TMH)

4. Pankaj Jalote international approach to software engineering “:2<sup>nd</sup> edition

Narosal publishing house 1997

5. <http://www.tutorialspoint.com/uml/>

6. The Unified Modelling Language User guide...Grady Booch

S.No.	Chapter/Unit title	No.of periods	Weightage Allocated	Marks Wise Distribution of Weightage				Question wise Distribution of Weightage				CO's Mapped
				R	U	Ap	An	R	U	Ap	An	
1	Basics of Software Engineering Designs & Life Cycle Models	10	11	3	8			1	1			CO1
2	Software Project Management	18	14	3	3	8	*	1	1	1	*	CO2
3	Requirement Analysis & Specifications	10	11	3	8		*	1	1		*	CO1,CO3
4	Software Design, Coding	22	17	6	11		*	2	2		*	CO1,CO3,CO5
5	Software testing, Debugging, Reliability, Quality Management & Maintenance	15	17	6	11			2	2			CO4,CO5
	<b>Total</b>	<b>75</b>	<b>70+10*</b>	21	41	8	10*	7	7	1	1*	

Note: Part-C: 10 marks single analytical question may be chosen from chapters marked with \*.

**Table specifying the scope of syllabus to be covered for unit tests**

Unit Test	Learning outcomes to be covered
Unit test-1	From 1.1 to 3.7
Unit test-2	From 4.1 to 5.12



**SOFTWARE ENGINEERING  
UNIT TEST-1**

**SCHEME: C-20  
MAX MARKS:40**

**SUBJ CODE:CM-503  
TIME: 90 MINUTES**

**PART-A**

**16 Marks**

**Instructions:** 1) Answer all questions

2) First question carries 4 marks and remaining carries 3 marks each.

1. a) Water fountain model is not a software life cycle model (True/False) (CO1)
- b) Set of instructions is ..... (CO1)
- c) SPMP stands for ----- (CO2)
- d) Which one the following is not an external interface requirement [ ] (CO3)
- i) User Interface II) Hardware Interface III) personal interface IV) Software interface
- 2) What is software crisis and how do you solve it? (CO1)
- 3) List any three job responsibilities of software project manager. (CO2)
- 4) Describe Lines of code? (CO2)
- 5) What is the purpose of Requirements Traceability? (CO3)

**PART-B**

**3 X 8=24Marks**

**Instructions:** 1) Answer all questions

2) Each question carries 8 Marks

3) Answer should be comprehensive and the criterion for valuation is the content but not the length of the answer

6. a) Explain Classical water fall model in detail. (CO1)
- Or
- b) Explain spiral model in detail (CO1)
7. a) Explain the two different works of Staffing Level Estimations. (CO2)
- Or
- b) Explain Risk Management. (CO2)
8. a) Explain functional requirements in detail. (CO3)
- Or
- b) Explain Requirement gathering and analysis (CO3)

**MODEL PAPER-END EXAMINATION  
SOFTWARE ENGINEERING**

**SCHEME: C-20  
MAX MARKS:80**

**SUBJ CODE: CM-503  
TIME: 3 HOURS**

**PART-A**

**10X3=30Marks**

Note: Answer all questions

1. Define the term High Level Language Programming (CO1)
2. State the Responsibilities of a Software Project Manager (CO2)
3. State the Metrics for Project Size Estimation (CO2)
4. What is Requirement analysis (CO3)
5. Define Cohesion and Coupling (CO4)
6. List the Characteristics of a good User Interface (CO4)
7. Define the term usecase. (CO4)
8. List any three Debugging Guidelines (CO5)
9. Define Software Quality (CO5)
10. List the different Reliability Metrics (CO5)

**PART-B**

**5x8=40Marks**

Note: Answer all questions

- 11.A. Explain any two Software Life Cycle Models? (CO1)
- OR
- 11.B. Differentiate Data Structure-Oriented Design and Data Flow-Oriented Design (CO1)
- 12.A. Explain three Project Estimation Techniques? (CO2)
- OR
- 12.B. Explain different works of Staffing Level Estimations? (CO2)
- 13.A. Explain about Organization of the SRS Document? (CO3)

OR

13.B Explain in detail about Software Requirement Specifications ? (CO3)

14.A. Explain the two approaches of Software Design? (CO4)

OR

14.B Explain any two types of user interfaces. (CO5)

15.A. Explain the concept of Software Reliability? (CO5)

OR

15.B Explain in detail about Software Quality Management System? (CO5)

**PART-C**

**1X10=10Marks**

16. Assume that you had given a task of implementing ATM operations for that design a SRS document? (CO4)

Course code	Course Title	No. of Periods/Weeks	Total No. of periods	Marks for FA	Marks for SA
CM-504	Internet of Things	5	75	20	80

S.No.	Chapter/Unit Title	No.of Periods	CO's Mapped
1.	Introduction of IOT	10	CO1
2.	Data Protocols	15	CO1,CO2
3.	Communication Technologies	18	CO1,CO3
4.	Wireless Sensor Networks	22	CO4
5.	Cloud Computing	10	CO1,CO5
Total Periods		75	

<b>Course Objectives</b>	<ul style="list-style-type: none"> <li>i)To assess the vision of IoT.</li> <li>ii)To classify Real World IoT applications in various Domains.</li> <li>iii)To understand design methodology for IoT platforms.</li> </ul>
--------------------------	---

<b>Course Outcomes</b>	At the end of the course the student will be able to:		
	CO1	CM-504.1	Explain the basic concepts like usage of sensors ,components and frequently used technologies of IoT from a global context
	CO2	CM-504.2	Apply Data protocols of IoT
	CO3	CM-504.3	Describe various communication technologies of IOT
	CO4	CM-504.4	Illustrate the use of sensor networks in applications of various domains
	CO5	CM-504.5	Explain Integrating IOT with cloud computing

### CO-PO/PSO Matrix

CO NO.	PO1	PO2	PO3	PO4	PO5	PO6	PO7	PSO1	PSO2	PSO3
CM-504.1	3	1	1	2	2		3	2	2	2
CM-504.2	2	1	3	2	2	1	3	2	3	3
CM-504.3	3	1	1	2	2		3	2	3	3
CM-504.4	3	3	3	3	3	3	3	2	3	3
CM-504.5	3	2	1	2	2	3	3	3	2	3
<b>Average</b>	<b>2.8</b>	<b>1.6</b>	<b>1.8</b>	<b>2.2</b>	<b>2.2</b>	<b>2.3</b>	<b>3</b>	<b>2.2</b>	<b>2.6</b>	<b>2.8</b>

3=strongly mapped, 2=moderately mapped, 1=slightly mapped

#### **Learning Outcomes:**

##### 1: Introduction of IOT

###### 1.1. INTRODUCTION:

1.1.1. Define IOT and list its Features

1.1.2. List the components of IoT : hardware, software, technology and protocols

1.1.3. List Applications ,various Technologies of IOT

1.1.4. List advantages and disadvantages of IoT

1.1.5. Describe various connecting technologies

1.1.6. Sensors

1.1.6.1. Need of sensor

1.1.6.2. Features of Sensors

1.1.6.3. Classify Sensors based on output, on data types

1.1.7. Define actuator and list its types

1.1.8. List and explain functional Components of IOT

1.1.9. Explain service oriented architecture of IOT

1.1.10. List IOT challenges

###### 1.2 Various Connectivity Technologies in IOT:

1.2.1 6LoWPANs Technologies

1.2.1.1 Features

1.2.1.2 Addressing

1.2.1.3 List and explain different packet formats

1.2.1.4 Explain 6LoWPAN protocol stack architecture

1.2.2 List and Explain Routing protocols(LOADng, RPL)

1.2.3 RFID Technologies

1.2.3.1 State the purpose of RFID

1.2.3.2 List the features

1.2.3.3 Explain Working principle

1.2.3.4 Applications

## **2. DATA PROTOCOLS**

- 2.1. Message Queue Telemetry Transport(MQTT)
  - 2.1.1. Define and explain MQTT
  - 2.1.2. List components, Methods, Applications
  - 2.1.3. Define and explain Secure MQTT
- 2.2. Constrained Application Protocol (CoAP)
  - 2.2.1. Explain CoAP
  - 2.2.2. Explain CoAP message types
- 2.3. Extensible Messaging and Presence Protocol(XMPP)
  - 2.3.1. List Features of XMPP
  - 2.3.2. Explain XMPP
  - 2.3.3. Describe core XMPP Technologies
  - 2.3.4. List applications of XMPP
- 2.4. Advanced Message Queuing Protocol (AMQP)
  - 2.4.1. List Features of AMQP
  - 2.4.2. Explain AMQP in detail
  - 2.4.3. List applications of XMPP

## **3. Communication Technologies**

- 3.1. IEEE 802.15.4
  - 3.1.1. List features of IEEE 802.15.4
  - 3.1.2. Explain IEEE 802.15.4
  - 3.1.3. List IEEE 802.15.4 Variants
  - 3.1.4. List and explain IEEE 802.15.4 Types
- 3.2. ZIGBEE
  - 3.2.1. What is ZIGBEE
  - 3.2.2. List features, components, different topologies, types, applications of ZIGBEE
  - 3.2.3. Explain different topologies of ZIGBEE
  - 3.2.4. Explain ZIGBEE types
- 3.3. Near field communication(NFC)
  - 3.3.1. What is NFC
  - 3.3.2. List types and applications of NFC
  - 3.3.3. Explain working principle of NFC
  - 3.3.4. Describe modes of operation of NFC
- 3.4. Bluetooth
  - 3.4.1. What is the purpose of Bluetooth
  - 3.4.2. List features, functions, applications of Bluetooth
  - 3.4.3. Explain Bluetooth technology in detail
  - 3.4.4. Describe Pico Net

#### **4. Wireless Sensor Networks**

- 4.1. What is Wireless Sensor Network and list its Applications
- 4.2. Explain types of Sensor networks: Single Source Single Object Detection, Single Source Multiple Object Detection, Multiple Source Single Object Detection, Multiple Source Multiple Object Detection
- 4.3. What are the Challenges in Wireless Sensor Networks
- 4.4. Explain node Behaviour in WSNs
- 4.5. Explain Information theoretic self-management in WSN
- 4.6. Applications of WSN
- 4.7. Explain Wireless Multimedia Sensor Networks(WMSN)
- 4.8. Explain Stationary Wireless Sensor Networks
- 4.9. Explain Mobile Wireless Sensor Networks
- 4.10. What is Machine to Machine Communications(M 2 M)
- 4.11. Lists applications ,features of M2M
- 4.12. List and explain M2M sensor nodes
- 4.13. Explain Role of IOT in automation of the following applications
  - 4.13.1. Health care applications
  - 4.13.2. Smart Home,
  - 4.13.3. Smart Cities,
  - 4.13.4. Smart class rooms
  - 4.13.5. Smart Energy
  - 4.13.6. Smart Transportation and Mobility
  - 4.13.7. Smart Factory

#### **5. Cloud Computing**

- 5.1. What is cloud computing ,state its importance and Recent Trends in Computing
- 5.2. Evolution of cloud computing
- 5.3. Draw and explain NIST Visual Model of Cloud Computing
- 5.4. List features of Cloud computing
- 5.5. Explain components of cloud computing
- 5.6. Describe different service models in cloud computing
- 5.7. Compare different service models
- 5.8. Explain different deployment models or types of clouds
- 5.9. Differentiate between private cloud and public cloud
- 5.10. Compare traditional data centre and Cloud storage
- 5.11. Describe how data is managed in cloud(DBaaS)
- 5.12. Explain security concepts in cloud
- 5.13. What is cloud simulator and List different types

### **COURSE CONTENT**

#### **UNIT1 : Introduction of IOT**

INTRODUCTION to IOT – Definition – Applications – Technologies – Sensor features –Types – Actuator list – Components – Challenges Connectivity technologies - 6LoWPAN –Features – Addressing –Routing -RFID – features – working principle – Applications

## **UNIT2: DATA PROTOCOLS**

MQTT – Definition – features – components – applications – MQTT – SMQTT  
CoAP- Definition – message types  
XMPP – features – core technologies – applications  
AMQP- Features-applications

## **UNIT3 : Communication Technologies**

IEEE 802.15.4 – features – variants – types  
ZIGBEE –features – components – technologies – types – applications  
NFC – types –modes – applications  
Bluetooth - purpose –features - Technologies- applications

## **UNIT4: Wireless Sensor Networks**

Wireless Sensor Networks- Applications -Types-Challenges-node Behaviour-Information theoretic self-management-Applications-WMSN-  
Stationary Wireless Sensor Networks-Mobile Wireless Sensor Networks-M 2 M-applications - features-sensor nodes- Role of IOT in automation of applications - Health care -Smart Home-Smart Cities

## **UNIT5 : Cloud Computing**

Cloud Computing-Evolution-NIST Visual Model-features -components - service models-Compare different service models-deployment models -Differentiate between private cloud - Compare traditional data centre and Cloud storage-DBaaS -security concepts - cloud simulators- applications

## **REFERENCE BOOKS**

- 1)<https://onlinecourses-archive.nptel.ac.in/>
- 2) “Internet of Things: A Hands-On Approach”, Vijay Madiseti, ArshdeepBahga, Orient BlackswanPvt., Ltd., New Delhi, 2015.
- 3) "Fundamentals of Wireless Sensor Networks: Theory and Practice", WalteneagusDargie, Christian Poellabauer, A John Wiley and Sons, Ltd., Publication, 2010.
- 4) “Internet of Things”, Jeeva Jose, (ISBN: 978-93-86173-591) KBP House,1st edition,2018.
- 5) Interconnecting Smart Objects with IP: The Next Internet, Jean-Philippe Vasseur, Adam Dunkels, Morgan Kuffmann
- 6) Designing the Internet of Things , Adrian McEwen (Author), Hakim Cassimally
- 7) Internet of Things: Converging Technologies for Smart Environments and Integrated Ecosystems, Dr.OvidiuVermesan, Dr. Peter Friess, River Publishers
- 8) Internet of Things (A Hands-on-Approach) , Vijay Madiseti , ArshdeepBahga
- 9) 6LoWPAN: The Wireless Embedded Internet, Zach Shelby, Carsten Bormann, Wiley
- 10) Building the internet of things with ipv6 and mipv6, The Evolving World of M2M Communications, Daniel Minoli John Wiley & Sons
- 11) Recent research/white papers



**MODEL BLUE PRINT**

S.No.	Chapter/Unit title	No.of periods	Weightage Allocated	Marks Wise Distribution of Weightage				Question wise Distribution of Weightage				CO's Mapped
				R	U	Ap	An	R	U	Ap	An	
1	Introduction of IOT	10	14	3	11			1	2			CO1
2	DATA PROTOCOLS	15	14	3	11		*	1	2		*	CO1,CO2
3	Communication Technologies	20	14		14		*		3		*	CO1,CO3
4	Wireless Sensor Networks	20	14	3	11		*	1	2		*	CO4
5	Cloud Computing	10	14	3	11			1	2			CO1,CO5
	<b>Total *</b>	<b>75</b>	<b>70 +10*</b>	<b>12</b>	<b>58</b>		<b>10*</b>	<b>4</b>	<b>11</b>		<b>1*</b>	

Note: Part-C: 10 marks single analytical question may be chosen from chapters marked with \*.

**Table specifying the scope of syllabus to be covered for unit tests**

Unit Test	Learning outcomes to be covered
Unit test-1	From 1.1 to3.2
Unit test-2	From 3.3 to 5.13

**DIPLOMA IN COMPUTER ENGINEERING**  
**MODEL PAPER**  
**Internet of Things**  
**UNIT TEST-1**

**SCHEME: C-20**  
**MAX MARKS:40**

**SUBJ CODE:CM-504**  
**TIME: 90 Minutes**

**PART-A**

**16Marks**

**Instructions:** 1) Answer all questions  
2) First question carries 4 marks and remaining carries 3 marks each.

1. a) Sensors are not used in IOT (True/False) (CO1)
- b) IOT technology used in Fast Tag is----- (CO1)
- c) -----,-----are two of CoAp message types (CO2)
- d) Which one of the following is Communication Technology of IOT (CO1)
- i) ZIGBEE II) XMPP III) AMQP IV) HTML
- 2) List any three IOT challenges (CO1)
- 3) List any three features of XMPP. (CO2)
- 4) Define Secure MQTT (CO2)
- 5) What is IEEE 802.15.4 (CO3)

**PART-B**

**3X8=24Marks**

**Instructions:** 1) Answer all questions  
2) Each question carries 8 Marks  
3) Answer should be comprehensive and the criterion for valuation is the content but not the length of the answer

6. a) Explain service oriented architecture of IOT (CO1)
- Or
- b) List and explain Routing protocols. (CO1)
7. a) Explain XMPP in detail (CO2)
- Or
- b) Explain AMQP in detail (CO2)
8. a) List and Explain IEEE 802.15.4 types in detail (CO3)
- Or
- b) Explain different topologies of ZIGBEE. (CO3)

**BOAR DIPLOMA EXAMINATIONS**  
**DIPLOMA IN COMPUTER ENGINEERING**  
**MODEL PAPER –END EXAMINATION**  
**Internet of Things**

**SCHEME: C-20**  
**MAX MARKS:80**

**SUBJ CODE:CM-504**  
**TIME: 3 HOURS**

**PART-A**

**10X3=30Marks**

Note: Answer all questions

1. What is the need of Sensor? (CO1)
2. List any three applications of RFID. (CO1)
3. Define MQTT. (CO2)
4. List any three features of AMQP. (CO2)
5. List IEEE 802.15.4 types. (CO3)
6. List applications of Bluetooth. (CO3)
7. What is Wireless Sensor Network? (CO4)
8. List M2M features. (CO4)
  
- 9 List features of Cloud computing (CO5)
- 10 State the purpose of cloud simulator? (CO5)

**PART-B**

**5x8=40Marks**

Note: Answer all questions

- 11.A List and explain functional Components of IOT (CO1)
- OR
- 11.B Explain 6LoWPAN protocol stack architecture (CO1)
- 12.A. List and explain CoAP message types (CO2)
- OR
- 12.B Explain core XMPP Technologies. (CO2)
  
- 13.A. List and explain ZIGBEE types. (CO3)
- OR

13.B Explain working principle of NFC. (CO3)

14.A. Explain Information theoretic self-management in WSN. (CO4)

OR

14.B Explain Wireless Multimedia Sensor Networks. (CO4)

15.A. List and explain components of cloud computing (CO5)

OR

15.B Explain security concepts in cloud. (CO5)

**PART-C 1X10=10Marks**

16. Justify the role of IoT in Health care applications in detail by choosing appropriate case study. (CO4)

Course code	Course Title	No. of Periods/Weeks	Total No. of periods	Marks for FA	Marks for SA
CM-505	Python Programming	5	75	20	80

S.No.	Chapter/Unit Title	No.of Periods	CO's Mapped
1.	Python Programming Introduction	10	CO1
2.	Control Flow and Loops	15	CO2
3.	Functions and Arrays	15	CO3
4.	Data Structures	15	CO4
5.	Object Oriented Programming in Python and File Handling and Exception Handling	20	CO5
Total Periods		75	

<b>Course Objectives</b>	<ul style="list-style-type: none"> <li>i)To know the fundamentals Python programming</li> <li>ii)To understand fundamental syntactic information about 'Python'</li> <li>iii) To develop various python programs</li> </ul>
--------------------------	---

<b>Course Outcomes</b>	At the end of the course the student will be able to:		
	CO1	CM-505.1	Explain Basic constructs like operators, expressions and components of python programming as well as Editing and Debugging
	CO2	CM-505.2	Write Python programs using Control statements, Loops
	CO3	CM-505.3	Write python programs using Functions and arrays
	CO4	CM-505.4	Develop Python programs using Data structures
	CO5	CM-505.5	Develop Python application programs using OOP Concept, FILES, Exceptions

**CO-PO/PSO Matrix:**

CO NO.	PO1	PO2	PO3	PO4	PO5	PO6	PO7	PSO1	PSO2	PSO3
CM-505.1	3	1	2	1	1	1		2	1	
CM-505.2	3	2	2	1	1	1	1	2	2	2
CM-505.3	3	2	2	1	1	1		2	2	2
CM-505.4	3	1	2	1	2	3	1	2	2	2
CM-505.5	3	1	2	1	1	3	2	2	2	2
Average	3	1.75	2	1	1.2	1.8	1.3	2	1.8	2

3=strongly mapped, 2=moderately mapped, 1=slightly mapped

### Learning Outcomes:

#### 1.0 Introduction

- 1.1. History of Python.
- 1.2. List Python features.
- 1.3. Explain Applications of Python.
- 1.4. Describe Python Integrated Development and Learning Environment (IDLE)
- 1.5. Give the process of Running Python Scripts.
- 1.6. Explain Identifiers, Keywords, Indentation, Variables
- 1.7. Explain various datatypes (Int, float, Boolean, string, and list)
- 1.8. Explain declaration, initialization of variables.
- 1.9. Explain Input and Output statements.
- 1.10. Explain formatted input output.
- 1.11. State the usage of comments
- 1.12. Explain various Operators.
- 1.13. Explain Boolean values.
- 1.14. Explain Operator precedence rules.
- 1.15. State the purpose of modules.
- 1.16. Define functions.
- 1.17. List types of functions.(Built-in, User defined)
- 1.18. Explain Built-in Functions.
- 1.19. Give the Steps in Develop a simple python program and execution.

#### 2.0 Control Flow and Loops

- 2.1. Explain various Control Flow constructs.
  - 2.1.1 If
  - 2.1.2 If-Else
  - 2.1.3 if-elif-else
- 2.2 Explain various Loop Statements.
  - 2.2.1 for Loop
  - 2.2.2 while loop
  - 2.2.3 break
  - 2.2.4 continue

## 2.2.5 pass

### **3.0 Functions and Arrays**

- 3.1 Introduction
- 3.2 Function Arguments: Default arguments, Variable Length arguments
- 3.3 Anonymous Functions
- 3.4 Return Statement
- 3.5 Scope of variables: Local Variables and Global Variables
- 3.6 Explain creation of modules.
- 3.7 Explain importing of modules.
- 3.8 Python Variable: Namespace and scoping
- 3.9 Python Packages
- 3.10 Explain Strings: String slices, immutability
- 3.11 Explain String functions and methods.
- 3.12 Explain about String module.
- 3.13 Explain about Python Arrays.
- 3.14 Explain accessing of elements in an Array.
- 3.15 Explain Array methods.

### **4.0 Data Structures**

- 4.1. Explain Python Lists.
- 4.2. Describe Basic List Operations.
- 4.3. Explain List Slices.
- 4.4. Explain List methods.
- 4.5. Explain List loop.
- 4.6. Explain mutability.
- 4.7. Explain aliasing.
- 4.8. Explain Cloning lists.
- 4.9. Explain List parameters.
- 4.10. Explain List comprehension.
- 4.11. Tuples.
  - 4.11.1. Explain Tuple assignment.
  - 4.11.2. Explain Tuple as return value.
  - 4.11.3. Explain Tuple Comprehension
- 4.12. Dictionaries
  - 4.12.1. Explain creation of dictionary/assignment.
  - 4.12.2. Explain Operations and methods.
  - 4.12.3. Explain Dictionary Comprehension.
- 4.13. Explain Sets.

### **5.0 Object Oriented Programming in Python and File Handling and Exception Handling**

- 5.1 Creating Classes
- 5.2 Creating Objects
- 5.3 Method Overloading and Overriding
- 5.4 Data Hiding
- 5.5 Data Abstraction
- 5.6 Opening files in different modes
- 5.7 Processing files
- 5.8 Closing a file

## 5.9 Exception Handling

### COURSE CONTENT

#### UNIT – I:

**Introduction:** Introduction to Python and installation, data types: Int, float, Boolean, string, and list; variables, Arithmetic Operators, Comparison (Relational) Operators, Assignment Operators, Logical Operators, Bitwise Operators, Membership Operators, Identity Operators, Boolean values, expressions, statements, precedence of operators, comments; modules, functions--- function and its use, flow of execution, parameters and arguments.

#### UNIT – II:

**Control Flow and Loops:** Control Flow- if, if-elif-else, for, while, break, continue, pass

#### UNIT – III:

**Functions and Arrays** - Defining Functions, Calling Functions, Passing Arguments, Keyword Arguments, Default Arguments, Variable-length arguments, Anonymous Functions, Fruitful Functions(Function Returning Values), Scope of the Variables in a Function - Global and Local Variables, **Modules:** Creating modules, import statement, from Import statement, name spacing, **Python packages**, Introduction to PIP, Installing Packages via PIP, Using Python Packages - Strings: string slices, immutability, string functions and methods, string module; Python arrays, Access the Elements of an Array, array methods.

#### UNIT – IV:

**Data Structures** : Lists: list operations, list slices, list methods, list loop, mutability, aliasing, cloning lists, list parameters, list comprehension; Tuples: tuple assignment, tuple as return value, tuple comprehension; Dictionaries: operations and methods, comprehension-sets.

#### UNIT – V:

**Object Oriented Programming OOP in Python:** Classes, 'self variable', Methods, Constructor Method, Inheritance, Overriding Methods, Data hiding,

**File Handling:** Open Files, File Processing and Closing a File

**Error and Exceptions:** Difference between an error and Exception, Handling Exception, try except block, Raising Exceptions, User Defined Exceptions

### REFERENCE BOOKS



1. Python Programming by K. Nageswara Rao, Shaikh Akbar - Scitech Publications (India) Pvt. Ltd.
2. Python Programming: A Modern Approach, Vamsi Kurama, Pearson
3. Learning Python, Mark Lutz, Orielly
4. Think Python, Allen Downey, Green Tea Press
5. Core Python Programming, W.Chun, Pearson.
6. Introduction to Python, Kenneth A. Lambert, Cengage

**ModelBlue Print:**

S.No.	Chapter/Unit title	No.of periods	Weightage Allocated	Marks Wise Distribution of Weightage				Question wise Distribution of Weightage				CO's Mapped
				R	U	Ap	An	R	U	Ap	An	
1	Python Programming Introduction	10	11	3	8			1	1			CO1
2	Control Flow and Loops	15	14	3	8	3	*	1	1	1	*	CO2
3	Functions and Arrays	15	14	3	3	8	*	1	1	1	*	CO3
4	Data Structures	15	14	3	3	8	*	1	1	1	*	CO4
5	Object Oriented Programming in Python and File Handling and Exception Handling	20	17	3	6	8	*	1	2	1	*	CO5
	<b>Total *</b>	<b>75</b>	<b>70+10*</b>	<b>20</b>	<b>23</b>	<b>27</b>	<b>10*</b>	<b>5</b>	<b>6</b>	<b>4</b>	<b>1*</b>	

Note: Part-C: 10 marks single analytical question may be chosen from chapters marked with \*.

**Table specifying the scope of syllabus to be covered for unit tests**

Unit Test	Learning outcomes to be covered
Unit test-1	From 1.1 to 3.7
Unit test-2	From 3.8 to 5.9

**MODEL PAPER**  
**Python Programming**  
**UNIT TEST-1**

**SCHEME : C-20**  
**MAX MARKS:40**

**SUBJ CODE : CM-505**  
**TIME: 90 MINUTES**

**PART-A**

**16Marks**

**Instructions:** 1) Answer all questions  
2) First question carries 4 marks and remaining carries 3 marks each.

1. a) Mathematical operations can be performed on a string.(True/False) (CO1)
- b) \_\_\_\_\_ has the highest precedence in the expression. (CO1)
- c) ~4 evaluate to \_\_\_\_\_ (CO2)
- d) Which of the following precedence order is correct in Python? (CO3)
  - i) Parentheses, Exponential, Multiplication, Division, Addition, Subtraction
  - ii) Multiplication, Division, Addition, Subtraction, Parentheses, Exponential
  - iii) Division, Multiplication, Addition, Subtraction, Parentheses, Exponential
  - iv) Exponential, Parentheses, Multiplication, Division, Addition, Subtraction
2. List features of Python. (CO1)
3. Write the rules for choosing names of variables. (CO1)
- 4) Define Local Variable. (CO3)
- 5) Write about if statement with an example. (CO2)

**PART-B**

**3X8=24Marks**

**Instructions:**1) Answer all questions  
2) Each question carries 8 Marks  
3) Answer should be comprehensive and the criterion for valuation is the content but not the length of the answer

6. a) Explain about the need for learning python programming and its importance. (CO1)

Or

- b) Explain the basics for executing a python program using REPL(Shell) with an example.(CO1)

7. a) What are the different loop control statements available in python? Explain with suitable examples. (CO2)

Or

b) Explain various looping statements. (CO2)

8. a) Write a python program to find the reverse of a given number using functions. (CO3)

Or

b) List and explain different arithmetic operators supported by Python. Discuss about their precedence and associativity. (CO1)

**MODEL PAPER – END EXAMINATION**  
**Python Programming**

**SCHEME: C-20**  
**MAX MARKS:80**

**SUBJ CODE:CM-505**  
**TIME: 3 HOURS**

**PART-A**

**10X3=30Marks**

Note: Answer all questions

- |  |     |
|--|-----|
| 1. Write in brief about the applications of Python.                    | CO1 |
| 2. State the importance of pass in Python.                             | CO2 |
| 3. Demonstrate the use of continue in loop statement.                  | CO2 |
| 4. List different types of arguments in Python.                        | CO3 |
| 5. Can a Python function return multiple values? If yes, how it works? | CO3 |
| 6. List different methods used in Python lists.                        | CO4 |
| 7. Write in brief about sets in Python.                                | CO4 |
| 8. List Object oriented features supported by Python.                  | CO5 |
| 9. List different modes in File opening.                               | CO5 |
| 10. Define Exception.  | CO5 |

**PART-B**

**5x8=40Marks**

Note: Answer all questions

- |   |     |
|---|-----|
| 11. A.Explain about Python IDLE.  | CO1 |
| or  |     |
| B. Explain about different data types in Python.  | CO1 |
| 12. A. Write a Python program to print sum of first 100 natural numbers using any loop. | CO2 |
| or  |     |
| B.Explain different conditional control flow statements in Python with examples.        | CO2 |
| 13. A.Explain String functions and methods.   | CO3 |
| or  |     |
| B. Write a Python program to add two matrices using array methods.                      | CO3 |
| 14. A.Explain in detail about dictionaries in Python.                                   | CO4 |
| or  |     |
| B.Write in brief about Tuple operations with suitable examples in python.               | CO4 |
| 15. A.Explain how to create a user defined exceptions.                                  | CO5 |
| or  |     |
| B.What are the two ways of importing a module? Which one is more beneficial? Explain.   | CO5 |

**PART – C**

**1X10=10Marks**

- |   |       |
|---|-------|
| 16. Is SQL better than Python or not justify. | (CO3) |
|---|-------|

Course code	Course Title	No. of Periods/Weeks	Total No. of periods	Marks for FA	Marks for SA
CM-506	Java Programming Lab	4	60	40	60

S.No.	Chapter/Unit Title	No.of Periods	CO's Mapped
1.	Basics of java and overloading	12	CO1
2.	Concepts of inheritance, overriding, Interfaces and Packages	10	CO2
3.	I/O Streams and Collections.	14	CO3
4.	Exception handling and Multi threaded programming.	14	CO4
5.	Applets, AWT and Event Handling	10	CO5
Total Periods		60	

<b>Course Objectives</b>	i) Design object oriented programming paradigm ii) Able to develop multi tasking application with the knowledge of multi threading. iii) Familiarized to develop graphical user interface with event handling mechanism.
--------------------------	--

Course Outcomes	At the end of the course the student will be able to:		
	CO1	CM-506.1	Perform object oriented programming concepts in problem solving, syntax and semantics of object oriented paradigm.
	CO2	CM-506.2	Design applications with reusability features like inheritance and polymorphism.
	CO3	CM-506.3	Develop modular programs for real time applications by using streams and collections.
	CO4	CM-506.4	Develop programs using threads and multithreading concepts
	CO5	CM-506.5	Design effective dynamic user interface for any front end applications using Applets and events.

**CO-PO/PSO Matrix:**

CO NO.	PO1	PO2	PO3	PO4	PO5	PO6	PO7	PSO1	PSO2	PSO3
CM-506.1	2	1	3	2		2	1	2	3	3
CM-506.2	1	3	3	3	1	3	2	2	3	3
CM-506.3	1	2	3	2	2	3	1	2	3	3
CM-506.4	1	1	3	2	2	3	2	2	3	3
CM-506.5	3	3	3	3	2	3	2	2	3	3
Average	1.6	2	3	2.4	1.75	2.8	1.6	2	3	3

3=strongly mapped, 2=moderately mapped, 1=slightly mapped

**Learning Outcomes**

1. Exercise programs using Java built-in data types.
2. Exercise programs on conditional statements and loop statements.
3. Exercise programs on I/O Streams
  - i) Reading data through Keyboard
  - ii) Reading and writing Primitive data types using DataInputStream and DataOutputStream.
  - iii) Perform Reading and Writing operations on files using File Streams.
4. Exercise programs on Strings.
5. Exercise program to create class and objects and adding methods.
6. Exercise programs using constructors and construction over loading.
7. Exercise programs on command line arguments.
  - i) Input as command line arguments and perform operation on that data.
  - ii) Input as command line arguments and update manipulated data in Files.
8. Exercise programs using concept of overloading methods.
9. Exercise programs on inheritance.
10. Write a program using the concept of method overriding.
11. Exercise on packages.
  - i) Creation of packages
  - ii) Design module to importing packages from other packages.

12. Exercise programs on interfaces.

13. Exercise programs on Collections.

- i) Write a java program to search a student mark percentage based on pin number using Array list.
- ii) Write a java program to create linked list to perform delete, insert, and update data in linked list with any application.
- iii) Write a java program to search an element from hash table.
- iv) Write a java program to sorting employee details using hash map.

14. Exercise on exception handling.

- i) Programs on try, catch and finally.
- ii) Programs on multiple catch statements
- iii) Programs on nested try statements.

15. Exercise on multithreading

- i) Programs on creation of single and multiple threads.
- ii) Programs on adding priorities to multiple threads.
- iii) Programs on Inter thread communication.

16. Exercise on applets

- i) Programs on Graphics and colors.
- ii) Simple animations using threads and graphics.

17. Exercise on AWT controls

- i) Program to handle mouse events.
- ii) Program to handle keyboard events.
- iii) Programs to illustrate Text Fields and Button control.
- iv) Programs to illustrate Check Box and List control.
- v) Write an application program to illustrate multiple controls.

**Mini Project: Student has to develop a Mini project applying the skills acquired from the learning outcomes of this course.**

**KEY COMPETENCIES**

<b>Exp. No.</b>	<b>Name of the experiment</b>	<b>Objectives</b>	<b>Key Competencies</b>
1	Exercise programs using Java built-in data types.	(a) Write programs using the primitive data types. (b) Display the data.	(a) Identify the data types. (b) Use println() method. (c) Compile the program. (d) Rectify the errors. (e) Observe the output.
2	Exercise programs on conditional statements and loop statements.	(a) Write program using if statement and switch (b) Write program using while, do and for constructs.	(a) Know the usage of IF and switch statements. (b) Compile the program and rectify the errors. (c) Observe the output.
3	Exercise programs on I/O Streams	(a) Write a program to give values to variables interactively through the keyboard. (b) Write program to read and write primitive data types. (c) Write programs to handle Files.	(a) Use different data types. (b) Use readLine() method. (c) Use println() method. (d) Use DataInputStream and DataOutputStream. (e) use File Streams Observe the output.
4	Exercise programs on Strings.	(a) Write a programs to manipulate Strings (b) Write a programs to arrange array of strings in ascending order	(a) Create String objects (b) Use string class methods (c) Observe the output.
5	Exercise program to create class and objects and adding methods.	(a) Write a program to create a class and create objects. (b) Write a program to create class adding methods and access class members.	(a) Create class. (b) Declare methods. (c) Create objects. (d) Write main method. (e) Access class members.
6	Exercise programs using constructors and construction over loading.	(a) Write a program using default constructor. (b) Write a program using parameterized constructor.	(a) Declare and define constructor. (b) Call default constructor. (c) Call parameterized constructor. (d) observe constructor overloading.
7	Exercise programs on command line arguments.	(a) Write a program to illustrate usage of command line arguments.  (b) Write a program to read data as command line arguments and update it into Files.	(a) Use command line arguments. (b) Run the program. (c) Understand usage of Files. (c) Observe the output.



8	Exercise programs using concept of overloading methods.	(a) Write a program to illustrate method overloading. (b) Write a program to illustrate method overloading using constructors.	(a) Observe method overloading. (b) Overload constructor methods.
9	Exercise on inheritance.	(a) Write a program to illustrate single inheritance. (b) Write a program to illustrate multiple inheritance.	(a) Create base class. (b) Write base class constructor. (c) Create derived class. (d) Use extends keyword. (e) Use super keyword. (f) Write derived class constructor.
10	Write a program using the concept of method overriding.	Write a program using the concept of method overriding.	(a) Use method overriding. (b) Use this keyword. (c) use super keyword
11	Exercise on importing packages.	Write a program to create and importing package.	(a) Create package. (b) Use of access specifiers. (b) Use package. (c) Use import keyword.
12	Exercise on interfaces.	Write a program to illustrate multiple inheritance using interfaces.	(a) Define interface. (b) Use extends keyword. (c) Use implements keyword. (d) Access interface variables.
13	Exercise programs on Collections.	(a) Write a java program to search a student mark percentage based on pin number using Array list. (b) Write a java program to create linked list to perform delete, insert, and update data in linked list with any application. (c) Write a java program to search an element from hash table. (d) Write a java program to sorting employee details using hash map.	(a) Define collection classes (b) use ArrayList, LinkedList (c) use Hash Map, Hash Table (d) apply List and Iterator Interface (e) use Enum Set, and Enum Map
14	Exercise on exception handling	(a) Write a program to illustrate exception handling. (b) Write a program to illustrate exception handling using multiple catch statements. (c) Write a program to illustrate exception handling using nested try.	(a) Use try – catch. (b) Use multiple catch blocks. (c) Use finally statement. (d) use Nested try
15	Exercise on multithreading	(a) Write a program to create single a thread by extending the thread class.	(a) Use extends, new. (b) Use run() and start() methods. (c) Observe thread execution.

		<p>(b) Write a program to create a single thread by implementing the runnable interface.</p> <p>(c) Write a program to create multiple threads.</p> <p>(d) Write a program to illustrate thread priorities.</p> <p>(e) Write a program to illustrate inter thread communication.</p>	<p>(d) Use implements runnable interface.</p> <p>(e) Use setPriority() and getPriority() methods.</p> <p>(f) use wait(),notify() methods</p>
16	Exercise on applets.	<p>Write a program to create simple applet to display different shapes with colors.</p> <p>Write an applet program to design simple animation.</p>	<p>(a) Use &lt;applet&gt;...&lt;/applet&gt; tag.</p> <p>(b) Add applet to html file.</p> <p>(c) Run the applet.</p> <p>(d) use graphics methods</p> <p>(e) use threads and graphics.</p>
17	Exercise on AWT controls	<p>(a) Write an applet program to handle key events.</p> <p>(b) Write an applet program to handle mouse events.</p> <p>(c) Write an applet program to illustrate Text Field and button control.</p> <p>(d) Write an applet program to illustrate Check box and List control.</p> <p>(e) Write an applet program to illustrate multiple controls.</p>	<p>(a) Use keyboard event methods</p> <p>(b) Use mouse event methods</p> <p>(c) Use Text Field class methods</p> <p>(d) Use button class methods</p> <p>(e) Use Check box and List class methods</p>

Course code	Course Title	No. of Periods/Weeks	Total No. of periods	Marks for FA	Marks for SA
CM-507	Python Programming Lab	4	60	40	60

<b>COURSE OBJECTIVES</b>	Upon completion of the course the student shall able to learn
	1. Basics of Python programming
	2. Decision Making and Functions in Python
	3. Object Oriented Programming using Python.

<b>Course Outcomes</b>	At the end of the course the student will be able to:		
	CO 1	CM-507.1	Execute Simple python programs
	CO 2	CM-507.2	Execute Python programs using expressions, operators
	CO 3	CM-507.3	Execute python programming using Functions, packages
	CO 4	CM-507.4	Demonstrate Python programs using Lists
	CO 5	CM-507.5	Develop Python programs using OOP Concepts and exceptions
	CO 6	CM-507.6	Demonstrate Debugging of Python Programs

### CO-PO/PSO MATRIX

CO NO.	PO1	PO2	PO3	PO4	PO5	PO6	PO7	PSO1	PSO2	PSO3
CM-507.1	2	2	2	1	2			3		2
CM-507.2	2	3	2					2		2
CM-507.3	3	3	2	3		2	2	2		
CM-507.4	2	2	2		2	3	1	2	3	
CM-507.5	3	3	2		2	2	2	2	2	
CM-507.6	2	1		3			3	1		
<b>Average</b>	<b>2.8</b>	<b>2.3</b>	<b>2</b>	<b>2.3</b>	<b>2</b>	<b>2.3</b>	<b>2</b>	<b>2</b>	<b>2.5</b>	<b>2</b>

3=strongly mapped, 2=moderately mapped, 1=slightly mapped

## LEARNING OUTCOMES

1. Write and execute simple python Program.
2. Write /execute simple 'Python' program: Develop minimum 2 programs using different data types (numbers, string, tuple, list, and dictionary).
3. Write /execute simple 'Python' program: Develop minimum 2 programs using Arithmetic Operators, exhibiting data type conversion.
4. (i) Write simple programs to convert U.S. dollars to Indian rupees.  
(ii) Write simple programs to convert bits to Megabytes, Gigabytes and Terabytes.
5. Write simple programs to calculate the area and perimeter of the square, and the volume & perimeter of the cone.
6. Write program to: (i) determine whether a given number is odd or even. (ii) Find the greatest of the three numbers using conditional operators.
7. Write a program to: i) Find factorial of a given number. ii) Generate multiplication table up to 10 for numbers 1 to 5.
8. Write a program to: i) Find factorial of a given number. ii) Generate multiplication table up to 10 for numbers 1 to 5 using functions.
9. Write a program to: i) Find factorial of a given number using recursion. ii) Generate Fibonacci sequence up to 100 using recursion.
10. Write a program to: Create a list, add element to list, delete element from the lists.
11. Write a program to: Sort the list, reverse the list and counting elements in a list.
12. Write a program to: Create dictionary, add element to dictionary, delete element from the dictionary.
13. Write a program to: To calculate average, mean, median, and standard deviation of numbers in a list.
14. Write a program to: To print Factors of a given Number.
15. File Input/output: Write a program to: i) To create simple file and write "Hello World" in it. ii) To open a file in write mode and append Hello world at the end of a file.
16. Write a program to :i) To open a file in read mode and write its contents to another file but replace every occurrence of character 'h' ii) To open a file in read mode and print the number of occurrences of a character 'a'.
17. Write a Program to: Add two complex number using classes and objects.
18. Write a Program to: Subtract two complex number using classes and objects.
19. Write a Program to: Create a package and accessing a package.

### TIME SCHEDULE

Sl. No.	Major Topic	Periods	CO'S mapped
1.	Write and execute simple python Program.	3(2,1)	CO1,CO6
2.	Write /execute simple 'Python' program: Develop minimum 2 programs using different data types (numbers, string, tuple, list, dictionary).	4(2,1,1)	CO1,CO2,CO6
3.	Write /execute simple 'Python' program: Develop minimum 2 programs using Arithmetic Operators, exhibiting data type conversion.	4(2,1,1)	CO1,CO2,CO6
4.	(i)Write simple programs to convert U.S. dollars to Indian rupees. (ii) Write simple programs to convert bits to Megabytes, Gigabytes and Terabytes.	3(1,1,1)	CO1,CO2,CO6
5.	Write simple programs to calculate the area and perimeter of the square, and the volume & perimeter of the cone.	3(1,1,1)	CO1,CO2,CO6
6.	Write program to: (i) Determine whether a given number is odd or even. (ii) Find the greatest of the three numbers using conditional operators.	3(1,1,1)	CO1,CO2,CO6
7.	Write a program to: i) Find factorial of a given number. ii) Generate multiplication table up to 10 for numbers 1 to 5.	2(1,1)	CO1,CO2,CO6
8.	Write a program to: i) Find factorial of a given number. ii) Generate multiplication table up to 10 for numbers 1 to 5 using functions.	2(1,1)	CO1,CO2,CO3
9.	Write a program to: i) Find factorial of a given number using recursion. ii) Generate Fibonacci sequence up to 100 using recursion.	2(1,1)	CO1,CO2,CO3
10.	Write a program to: To print Factors of a given Number.	2(1,1)	CO4,CO6
11.	Write a program to: Create a list, add element to list, delete element from the lists.	3(1,1,1)	CO1,CO3,CO6
12.	Write a program to: Sort the list, reverse the list and counting elements in a list.	3(1,1,1)	CO2,CO3,CO6
13.	Write a program to: Create dictionary, add element to dictionary, delete element from the dictionary.	3(1,1,1)	CO2,CO3,CO6
14.	Write a program to: To calculate average, mean, median, and standard deviation of numbers in a list.	3(1,1,1)	CO2,CO3,CO6

15.	File Input/output: Write a program to: i) To create simple file and write “Hello World” in it. ii) To open a file in write mode and append Hello world at the end of a file.	4(2,2)	CO1,CO6
16.	Write a program to :i) To open a file in read mode and write its contents to another file but replace every occurrence of character ‘h’ ii) To open a file in read mode and print the number of occurrences of a character ‘a’.	4(2,2)	CO1,CO6
17.	Write a Program to: Add two complex number using classes and objects.	4(2,2)	CO5,CO6
18.	Write a Program to: Subtract two complex number using classes and objects	3(2,1)	CO5,CO6
19.	Write a Program to: Create a package and accessing a package.	2(1,1)	CO5,CO6
<b>Total</b>		<b>60</b>	

#### KEY COMPETENCIES

Sl.No	Name of the Experiment	Objectives	Key Competencies
1.	Write and execute simple python Program.	Write a simple python program to print Hello World! and debug and execute	<ol style="list-style-type: none"> <li>1. Know the usage of Python IDLE</li> <li>2. Edit and save the program</li> <li>3. Check for the syntax errors and clear the errors</li> <li>4. Run the program and check for the output.</li> </ol>
2.	Write /execute simple ‘Python’ program: Develop minimum 2 programs using different data types (numbers, string, tuple, list, dictionary).	Write a Python program to identify different data types.	<ol style="list-style-type: none"> <li>1. Identify different data types</li> <li>2. Write basic python program using datatypes</li> <li>3. Evaluate arithmetic expression</li> <li>4. Run the program</li> <li>5. Rectify the syntactical errors</li> <li>6. Execute the program</li> <li>7. Check the output for its correctness</li> </ol>

3.	Write /execute simple 'Python' program: Develop minimum 2 programs using Arithmetic Operators, exhibiting data type conversion.	Write a Python program to identify arithmetic operators and data type conversion	<ol style="list-style-type: none"> <li>1. Identify different arithmetic operators</li> <li>2. Build arithmetic expressions</li> <li>3. Identify the priorities of operators</li> <li>4. Evaluate arithmetic expression</li> <li>5. Run the program</li> <li>6. Rectify the syntactical errors</li> <li>7. Execute the program Check the output for its correctness</li> </ol>
4.	(i)Write simple programs to convert U.S. dollars to Indianrupees. (ii) Write simple programs to convert bits to Megabytes, Gigabytes and Terabytes.	Write a Python program to identify arithmetic operators and data type conversion	<ol style="list-style-type: none"> <li>1. Identify different arithmetic operators</li> <li>2. Build arithmetic expressions</li> <li>3. Identify the priorities of operators</li> <li>4. Evaluate arithmetic expression</li> <li>5. Run the program</li> <li>6. Rectify the syntactical errors</li> <li>7. Execute the program Check the output for its correctness</li> </ol>
5.	Write simple programs to calculate the area and perimeter of thesquare, and the volume & perimeter of the cone.	Write a Python program to identify arithmetic operators and data type conversion	<ol style="list-style-type: none"> <li>1. Identify different arithmetic operators</li> <li>2. Build arithmetic expressions</li> <li>3. Identify the priorities of operators</li> <li>4. Evaluate arithmetic expression</li> <li>5. Run the program</li> <li>6. Rectify the syntactical errors</li> <li>7. Execute the program Check the output for its correctness</li> </ol>
6.	Write program to: (i) Determine whether a given number is odd or even. (ii) Find the greatest of the three numbers using conditional operators.	Write a Python program to identify conditional statements in Python.	<ol style="list-style-type: none"> <li>1. Build a relational expression</li> <li>2. Use the if statement for decision making</li> <li>3. Rectify the syntax errors</li> <li>4. Check the output for correctness</li> </ol>

7.	Write a program to : i) Find factorial of a given number. ii) Generate multiplication table up to 10 for numbers 1 to 5.	Write a Python program to identify loops statements in Python.	<ol style="list-style-type: none"> <li>1. Build the termination condition for looping</li> <li>2. Use while statement with correct syntax</li> <li>3. Check whether correct number of iterations are performed by the while loop</li> <li>4. Rectify the syntax errors</li> <li>5. Debug logical errors</li> </ol>
8.	Write a program to: i) Find factorial of a given number. ii) Generate multiplication table up to 10 for numbers 1 to 5 using functions.	Write a Python program to make use of function.	<ol style="list-style-type: none"> <li>1. Build the application using functions</li> <li>2. Use while statement with correct syntax</li> <li>3. Check whether correct number of iterations are performed by the while loop</li> <li>4. Rectify the syntax errors</li> <li>5. Debug logical errors</li> </ol>
9.	Write a program to: i) Find factorial of a given number using recursion. ii) Generate Fibonacci sequence up to 100 using recursion.	Write a Python program to make use of recursion.	<ol style="list-style-type: none"> <li>1. Build the application using recursion.</li> <li>2. Build the terminating condition for recursion.</li> <li>3. Rectify the syntax errors</li> <li>4. Debug logical errors</li> </ol>
10.	Write a program to : To print Factors of a given Number.	Write a Python program to identify loops statements in Python.	<ol style="list-style-type: none"> <li>1. Build the termination condition for looping</li> <li>5. Use while statement with correct syntax</li> <li>6. Check whether correct number of iterations are performed by the while loop</li> <li>7. Rectify the syntax errors</li> <li>Debug logical errors</li> </ol>
11.	Write a programs to: Create a list, add element to list, delete element from the lists.	Write a Python program to identify various lists and list manipulation methods in Python.	<ol style="list-style-type: none"> <li>1. Create a one list with correct syntax</li> <li>2. Create a list</li> <li>3. Read elements from list</li> <li>4. Add elements to list</li> <li>5. Delete elements</li> <li>6. Rectify the syntax errors</li> <li>7. Debug logical errors</li> <li>8. Check for the correctness of output for the given input</li> </ol>



12.	Write a programs to: Sort the list, reverse the list and counting elements in a list.	Write a Python program to identify various lists and list manipulation methods in Python.	<ol style="list-style-type: none"> <li>1. Create a one list with correct syntax</li> <li>2. Create a list</li> <li>3. Read elements from list</li> <li>4. Add elements to list</li> <li>5. Delete elements</li> <li>6. Rectify the syntax errors</li> <li>7. Debug logical errors</li> <li>8. Check for the correctness of output for the given input</li> </ol>
13.	Write a programs to: Create dictionary, add element to dictionary, delete element from the dictionary.	Write a Python program to identify various dictionary and dictionary manipulation methods in Python.	<ol style="list-style-type: none"> <li>1. Create a one dictionary with correct syntax</li> <li>2. Create a dictionary</li> <li>3. Read elements from list</li> <li>4. Add elements to dictionary</li> <li>5. Delete elements from dictionary</li> <li>6. Rectify the syntax errors</li> <li>7. Debug logical errors</li> <li>8. Check for the correctness of output for the given input</li> </ol>
14.	Write a program to: To calculate average, mean, median, and standard deviation of numbers in a list.	Write a Python program to identify various statistical functions.	<ol style="list-style-type: none"> <li>1. Create a list</li> <li>2. add elements to list</li> <li>3. perform statistical functions on that list</li> </ol>
15.	File Input/output: Write a program to : i) To create simple file and write "Hello World" in it. ii) To open a file in write mode and append Hello world at the end of a file.	Write a Python program to identify the steps to create a file and append to file.	<ol style="list-style-type: none"> <li>1. Create a Python file</li> <li>2. Add contents to file</li> </ol>
16.	Write a program to :i) To open a file in read mode and write its contents to another file but replace every occurrence of character 'h' ii) To open a file in read mode and print the number of occurrences of a character 'a'.	Write a Python program to identify the steps to open a file in read/write mode.	<ol style="list-style-type: none"> <li>1. Open a Python file in write mode</li> <li>2. Add contents to the file</li> <li>3. Open a Python file in Read mode</li> <li>4. Print the file</li> </ol>

17.	Write a Program to: Add two complex number using classes and objects.	Write a Python program to identify the steps to create class and create an object in Python.	<ol style="list-style-type: none"> <li>1. Create a class using Python</li> <li>2. Create an object in Python</li> <li>3. Debug the python program</li> <li>4. Check the correctness</li> </ol>
18	Write a Program to: Subtract two complex number using classes and objects	Write a Python program to identify the steps to create class and create an object in Python.	<ol style="list-style-type: none"> <li>1. Create a class using Python</li> <li>2. Create an object in Python</li> <li>3. Debug the python program</li> </ol> <p>Check the correctness</p>
19.	Write a Program to: Create a package and accessing a package.	Write a Python program to practice in creating packages and accessing packages	<ol style="list-style-type: none"> <li>1. Create a package using Python</li> <li>2. Access the package in Python</li> <li>3. Debug the python program</li> </ol> <p>Check the correctness</p>

### Life Skills

<b>Course Code</b>	<b>Course Title</b>	<b>No. of Periods/Week</b>	<b>Total No. of Periods</b>	<b>Marks for FA</b>	<b>Marks for SA</b>
Common 508	Life Skills	3	45	40	60

<b>S. No.</b>	<b>Unit Title</b>	<b>No of Periods</b>	<b>COs Mapped</b>
1	<b>Attitude</b>	<b>4</b>	CO1
2	<b>Adaptability</b>	<b>4</b>	CO1, CO2
3	<b>Goal Setting</b>	<b>4</b>	CO1, CO2, CO3
4	<b>Motivation</b>	<b>4</b>	CO1, CO2, CO3
5	<b>Time Management</b>	<b>4</b>	CO2
6	<b>Critical thinking</b>	<b>4</b>	CO3
7	<b>Creativity</b>	<b>4</b>	CO3
8	<b>Problem Solving</b>	<b>5</b>	CO3
9	<b>Team Work</b>	<b>4</b>	CO4
10	<b>Leadership</b>	<b>4</b>	CO4
11	<b>Stress Management</b>	<b>4</b>	CO4
<b>Total Periods</b>		<b>45</b>	

	To understand the importance of Life skills for acceptable, sustainable and ethical behaviour in academic, professional and social settings
	To exhibit language competence appropriate to acceptable social and professional behaviour.

CO No.	Course Outcomes
<b>Course Objectives</b> CO1	Demonstrates positive attitude and be able to adapt to people and events
CO2	Fixes personal and professional goals and manages time to meet targets
CO3	Exhibits critical and lateral thinking skills for problem solving.

	To demonstrate time management, stress management, team skills, problem solving ability to manage oneself in academic, professional and social settings.
--	--

CO4	Shows aptitude for working in teams in a stress free manner and sometimes/ very often/ mostly display leadership traits.
-----	--

#### CO-PO Matrix

Course Code	Course Title: English			No. of Periods: 45	
Common-508	Number of Course Outcomes: 4				
POs	Mapped with CO No.	CO Periods Addressing PO in Column 1		Level of Mapping (1,2,3)	Remarks
		Number	Percentage %		
PO1		Not directly applicable for Life Skills Course. However activities that use content and situations from academic, professional and social settings relevant to the Programme shall be exploited for triggering thought and interaction in the Course.			
PO2					
PO3					
PO4					
PO5	CO1, CO2, CO3, CO 4	11	25%		>60%: Level 3
PO6	CO1, CO2, CO3, CO4	27	45%		16 -59%: Level 2

PO7	CO1, CO2, CO3, CO4	7	30%		Up to 15%: Level 1
-----	-----------------------	---	-----	--	--------------------

Level 3 – Strongly Mapped  
Level 2- Moderately Mapped  
Level 1- Slightly Mapped

**Mapping Course Outcomes with Program Outcomes:**

CO	PO 1	PO 2	PO 3	PO 4	PO 5	PO 6	PO 7
CO 1					✓	✓	✓
CO 2					✓	✓	✓
CO3					✓	✓	✓
CO4					✓	✓	✓

**Blue Print for evaluation based on Course Outcomes for SA:**

Note: Every Activity based Question that focuses on COs and responses as exhibited through communication has to be given marks for the following parameters

- Clarity of Thinking as Exhibited through Content
- Features of Etiquette

**\*Rubric Descriptors ‘Outstanding/ Very Good/ Good/ Satisfactory/ Poor’ levels of Competence**

Level of Competence	Parameters of Assessment	
	Clarity of thinking as exhibited through content	Features of etiquette
<b>Outstanding 10</b>	<b>Thinking is extremely logical</b> and suggested course of action is <b>feasible</b> Shows <b>creativity and uniqueness</b> Exhibits <b>expert use of expression</b> (organizational devices and discourse markers) that denote clarity	Exhibits <b>courtesy to all most appropriately with confidence</b>

	in thought.	
<b>Very Good 8/9</b>	<b>Thinking is clear and logical</b> Suggested <b>course of action is feasible</b> Shows <b>traces of creativity</b> Exhibits <b>good expression</b> (organizational devices and discourse markers) that denote clarity in thought.	Exhibits <b>courtesy to all to a considerable level.</b>
<b>Good 6/7</b>	<b>Thinking is clear and logical most of the time.</b> Lacks creativity or out of the box thinking as expressed through content.	Exhibits <b>courtesy / politeness to an acceptable level.</b>
<b>Satisfactory 4/5</b>	<b>Thinking is logical;</b> However <b>expressing content is disjointed and disorganized.</b>	Has courtesy but often fumbles with language.
<b>Poor 3 or less than 3</b>	<b>Thoughts</b> as expressed through content are <b>incoherent. Language skills are very limited.</b>	Fails to show courtesy to others.

**Blue Print for evaluation based on Course Outcomes for SA of each student:**

**Note: Marks are awarded for each student as per the Rubric descriptors.**

<b>S No</b>	<b>Questions based on Course Outcomes</b>	<b>Periods Allocated for practical work</b>	<b>Max Marks</b>	<b>Poor &gt;3</b>	<b>Satisfactory 4/5</b>	<b>Good 6/7</b>	<b>Very Good 8/9</b>	<b>Outstanding 10</b>
1	Short presentation on GOALS with Timeline and Action Plan	12	10					
2	State what you will do in the given situation (Assesses adaptability and critical thinking skills, leadership, team skills )	12	10					
3	In how many different and creative way can you use _____ (Object) other than its primary use	8	10					

4	What solutions can you think of for _____ problem.	13	10					
	Total	45	60					

**Note: The marks that are awarded for the student for 40 to be increased proportionally for 60.**

### Learning Outcomes

#### 1. Attitude Matters :

9.1 Understand the importance of positive attitude and the consequences of negative attitude.

1.2 Demonstrate positive attitude in dealing with work-related issues and in personal life.

#### 2. Adaptability....*makes life easy* :

10.1 Understand the significance of adaptability.

2.2 Show adaptability whenever needed, both at place of work and on personal front.

#### 3. Goal Setting ... *life without a Goal is a rudderless boat!*

3.2 Understand the SMART features of goal-setting.

3.3 State one's short-term and long-term goals and spell out plans to achieve them.

#### 4. Motivation ... *triggers success!*

4.2 Comprehend the need for motivation in order to achieve success in life.

4.3 State how one is motivated in life.

4.4 Show the impact of motivation on one's life

#### 5. Time Management... *the need of the Hour!*

5.2 Understand the value of time management and prioritizing in life

5.3 Demonstrate the effect of time management on one's professional work.

#### 6. Critical Thinking ... *logic is the key!*

6.1 Distinguish between facts and assumptions

6.2 Use logical thinking in dealing with professional matters

#### 7. Creativity ... *the essential you!*



7.2 Understand the importance of thinking out of the box in dealing with critical issues

7.3 Solve problems using creativity / imagination

**8. Problem Solving ... *there is always a way out!***

8.2 Understand the need for and importance of problem solving.

8.3 Use logic or creativity to solve a problem at workplace or home.

**9. Team Work... *together we are better!***

9.1 Understand the need for team skills / team building

9.2 Demonstrate one's skills as a team player

**10. Leadership... *the meaning of a leading!***

10.1 Understand the need for team skills / team building

10.2 Demonstrate one's skills as a team player

**11. Stress Management... *live life to the full!***

11.1 Understand what causes stress and how to cope with stress at workplace.

11.2 Demonstrate how stress can be overcome in a healthy way.

Course code	Course Title	No. of Periods/Weeks	Total No. of periods	Marks for FA	Marks for SA
CM-509	<b>PROJECT WORK</b>	6	90	40	60

<b>Course Objectives</b>	i)To inculcate team spirit among students ii)To apply software life cycle models iii)To design,develop,test and deploy project
--------------------------	--

<b>Course Outcomes</b>	At the end of course student able to		
	CO1	CM-509.1	Identify the hardware, software problems and their feasibility
	CO2	CM-509.2	Prepare SRS document based on gathered and analysed requirements

	CO3	CM-509.3	Design the plan document based on SRS
	CO4	CM-509.4	Code and test the software based on the design document
	CO5	CM-509.5	Practice software maintenance skills and maintaining quality and reliability
	CO6	CM-509.6	Calculate software metrics like cost, loc, scheduling, manpower and other resources.

**CO-PO/PSO Matrix:**

CO NO.	PO1	PO2	PO3	PO4	PO5	PO6	PO7	PSO1	PSO2	PSO3
CM-509.1	3	2	1	3	1			2	3	
CM-509.2	3	2	3	1	2	1		2	3	2
CM-509.3	3	2	3	1	2	1		2	3	2
CM-509.4	3	2	3	3	3	1		2	3	2
CM-509.5	3		2	2	3	3	3	2	3	2
CM-509.6	3	2		2	1	3	3	2	3	2
<b>Average</b>	<b>3</b>	<b>2</b>	<b>2.4</b>	<b>2</b>	<b>2.2</b>	<b>1.8</b>	<b>3</b>	<b>2</b>	<b>3</b>	<b>2</b>

3=strongly mapped, 2=moderately mapped, 1=slightly mapped

**LEARNING OUTCOMES**

1. Identify different works to be carried out in the Project
2. Collect data relevant to the project work
3. Carryout need survey and identify the problem(project)
4. Select the most efficient software life cycle from the available choices based on preliminary investigation
5. Estimate the cost of project, technological need, computer skills, materials and other equipment
6. Prepare the plan and schedule of starting time and sequence of operations to be carried out at various stages of the project work in detail
7. Prepare SRS document
8. Design the required elements of the project work as per standard models such as UML
9. Develop the working software modules required for the project work
10. Prepare critical activities at various stages of the project work
11. Test ,Debug, verify and validate the project
12. Record the results

13. Preparation of project report (and user manual if necessary) to enable the client to maintain the project

### **Key competencies (Guide lines)**

#### **THE PROJECT CAN BE CHOSEN FROM THE FOLLOWING DOMAINS:**

1. SOFTWARE PROJECTS
  - a. Web site designing
  - b. Banking
  - c. Income tax calculation package
  - d. Examinations cell.
  - e. Student database management
  - f. Library management
  - g. Stores Management
  - h. Staff data management
  - i. Payrolls
  - j. Inventory Control
  - k. Hostel management
  - l. Tourism package
  - m. Institution management software
  - n. Anti-Virus software development.
  - o. Folder-locking.
  - p. Terminate stay resident systems.
2. HARDWARE and NETWORKING PROJECTS
  - a. QLAN establishing
  - b. Using interfacing devices
  - c. Voice synthesizer
  - d. Voice recognizer
  - e. Printer sharer
  - f. ADD ON cards or any relevant
3. SOFTWARE AND HARDWARE PROJECTS
  - a. Using interfaces, microcontrollers. Microprocessors and PCs
  - b. Inter-cum
  - c. Assembling computer along with peripherals.
  - d. Traffic light controller
  - e. Stepper motor related
  - f. Lift controllers
  - g. Level controllers
  - h. Temperature controllers
4. To develop above projects and deploy in cloud platform
5. To develop IOT based applications
6. To maintain the software products based on the ever changing needs of and quality measures required by the clients

### Evaluation Scheme for the Project Work

<b>S. No.</b>	<b>Tasks</b>	<b>Max. Marks Allotted for each task INTERNAL /EXTERNAL ( 40+60=100)</b>
1.	Feasibility study of the problem	4/6
2.	Requirement Analysis of the problem, SRS document preparation	4/8
3.	Designing the problem	6/10
4.	Implementation	8/10
5.	Testing and verification	10 /16
6.	Project report preparation and presentation	8/10
	<b>Total:</b>	<b>40/60 (100)</b>

# VI SEMESTER

**DIPLOMA IN COMPUTER ENGINEERING  
SCHEME OF INSTRUCTIONS AND EXAMINATION**

**CURRICULUM-2020**

**(VI Semester)**

**CM-601 Industrial Training**

<b>Course Code</b>	<b>Course title</b>	<b>No of periods/week</b>	<b>Duration</b>	<b>Marks for FA</b>	<b>Marks for SA</b>
CM-601	INDUSTRIAL TRAINING (In-house/Industry)	42	6 months	240	60

S No	Unit Title	Duration	COs Mapped
1	Application of Knowledge acquired.	1 month	CO1
2	Skill Acquirement.	2 months	CO2
3	Participate in product development.	2 months	CO3
4	Preform onsite service.	1 month	CO4
	Total	6 months	

<b>Course Objectives</b>	1.Expose to real time working environment 2. Enhance knowledge and skill already learnt in the institution 3. Acquire the required skills in SDLC phases. 4. Instil the good qualities of integrity, responsibility and self-confidence.
--------------------------	---

<b>Course Outcomes</b>	At the end of course student able to:		
	<b>CO1</b>	<b>CM-601.1</b>	Apply knowledge and skill already learnt in the institution.
	<b>CO2</b>	<b>CM-601.2</b>	Acquire the required skills of analysis, design and development, testing, verification and validation, deployment and distribution of the product.
	<b>CO3</b>	<b>CM-601.3</b>	Involve in product design, development, quality testing and maintenance production by exhibiting the strength, teamwork spirit and self-confidence
	<b>CO4</b>	<b>CM-601.4</b>	Prepare product document, gain the skills in deploying product at customer site, training the end user, maintaining the system.

### CO-PO/PSO MATRIX

CO No	PO1	PO2	PO3	PO4	PO5	PO6	PO7	PSO1	PSO2	PSO3
<b>CM-601.1</b>	3					3		3	3	
<b>CM-601.2</b>	3			2	3	3	3	3	3	
<b>CM-601.3</b>	3	3	3	3	3	3	3	3	3	3
<b>CM-601.4</b>	3	3	3	3	3	3	3	3	3	3
<b>Average</b>	3	3	3	2.7	3	3	3	3	3	3

3=strongly mapped 2=moderately mapped 1=slightly mapped

### LEARNING OUTCOMES (In-house training):

TRAINING MODULE NO.	TOPIC	LEARNING OUTCOMES (In-house training)	No. OF PERIODS
Module1	<b>Planning</b>	<ol style="list-style-type: none"> <li>1. Define the problem</li> <li>2. Identify the scope of any existing systems.</li> <li>3. Determine the objectives for the proposed new system.</li> <li>4. Developing an effective outline for the upcoming development cycle.</li> <li>5. Catch problems.</li> <li>6. Identify funding and resources.</li> <li>7. Set the project schedule at various time frames</li> </ol>	<b>90</b>
Module 2	<b>Analysis</b>	<ol style="list-style-type: none"> <li>1. Define prototype system requirements</li> <li>2. Evaluate alternatives to existing prototypes</li> <li>3. Perform research and analysis to determine the needs of end-users</li> <li>4. Prepare software requirement specification ( SRS) document.</li> <li>5. Specify the software, hardware, and network requirements.</li> </ol>	<b>110</b>
Module 3	<b>Design</b>	<ol style="list-style-type: none"> <li>1. Design overall system architecture.</li> <li>2. User interfaces</li> <li>3. System interfaces</li> <li>4. Network requirements</li> <li>5. Databases</li> <li>6. Prepare design document.</li> </ol>	<b>110</b>
Module 4	Development	<ol style="list-style-type: none"> <li>1. Practice coding guidelines.</li> <li>2. Code and build the application as per the design using modular programming.</li> <li>3. Compilation and execution.</li> </ol>	<b>200</b>
Model 5	Testing	<ol style="list-style-type: none"> <li>1. Perform debugging.</li> <li>2. Perform Modular and integrated testing.</li> <li>3. Verify and validate the system.</li> <li>4. Prepare the testing document and/or user document.</li> </ol>	<b>60</b>
Module 6	Product installation and maintenance	<ol style="list-style-type: none"> <li>1. Site preparation for deploying product</li> <li>2. Install a product system at site.</li> <li>3. Train the end user to operate the system.</li> <li>4. Provide security enforcement.</li> <li>5. Provide maintenance to the system after installation.</li> <li>6. Explain customer relationship importance</li> </ol>	<b>60</b>

<b>TOTAL NUMBER OF PERIODS</b>	<b>630</b>
--------------------------------	------------

**LEARNING OUTCOMES (In Industry): The student shall be able to display the following skill sets**

1. Apply knowledge and skill already learnt in the institution.
2. Acquire the required skills of analysis, design and development, testing, verification and validation.
3. Acquire skills of deployment and distribution of the product.
4. Involve in product design, development, quality testing and maintenance production by exhibiting the strength, teamwork spirit and self-confidence
5. Prepare product documents like user manual and installation guide and operational manuals.
6. Perform the activities of deploying product at customer site and training the end user.
7. Maintaining the system at user site (Post product services)

**Scheme of evaluation**

Sl. No.	Subject	Duration	Scheme of evaluation		
			Item	Nature	Max. Marks
1	Industrial Training	6 months	1.First Assessment at Industry (After 12 Weeks)	Assessment of learning outcomes by both the faculty and training mentor of the industry	120
			2.Second Assessment at the Industry (After 22 weeks))	Assessment of learning outcomes by both the faculty and	120



				training mentor of the industry	
			Final Summative assessment at institution level	Training Report	20
				Demonstration of any one of the skills listed in learning outcomes	30
				Viva Voce	10
<b>TOTAL MARKS</b>					<b>300</b>

**Weightage of marks for Assessment of Learning Outcomes during first and second assessment**

Sl.No	Learning Outcome	Max Marks Allotted For first assessment	Max Marks Allotted For second assessment
1	Apply knowledge and skill already learnt in the institution.	50	10
2	Acquire the required skills of analysis, design and development , testing, verification and validation.	40	20
3	Acquire the required skills of deployment and distribution of the product.	30	10
4	Involve in product design, development, quality testing and maintenance production by exhibiting the strength, teamwork spirit and self-confidence	-	25
5	Prepare product documents like user manual and installation guide and operational manuals.	-	15
6	Perform the activities of deploying product at customer site and training the end user.		25
7	Maintaining the system at user site (Post product services)		15
Total		120	120

During assessment the performance of the students shall be assessed in those skills in which the student has been trained and be awarded the marks as per the weightage assigned as above. In case the student has undergone training in a few skill sets then the total marks obtained shall be raised to 120 marks for the given assessment i.e. either assessment 1 or 2. However the performance of the student shall be assessed at the most skill sets listed above but not less than three skill sets.

#### **Illustration for First assessment.**

If the student has undergone training in only in 2 skill sets ( namely 1 → for 50 marks, and 2→ for 40 marks ) out of 3 ( namely 1 → for 50 marks, 2→ for 40 marks and 3 → for 30 marks) in First assessment and marks awarded during assessment is 60 out of 90 marks, then the marks of 60 shall be enhanced to 120 proportionately as  $(60/90)*120=80$ .

#### **Illustration for second assessment .**

If the student has undergone training in only in 5 skill sets ( namely 1 → for 10 marks, 2→ for 20 marks , 3 - for 10 marks, 4→ for 25 marks, 5→ For 15 marks ) out of 7 ( namely 1 → for 10 marks, 2→ for 20 marks , 3 → For 10 marks, 4→ for 25 marks, 5→ For 15 marks, 6 → for 25 marks and 7→ for 15 marks ) in Second assessment and marks awarded during assessment is 65 out of 80 marks, then the marks of 65 shall be enhanced to 120 proportionately as  $(65/80)*120=97.5 =$  rounded to 98.

### **GUIDELINES FOR INDUSTRIAL TRAINING OF DIPLOMA IN COMPUTER ENGINEERING PROGRAMME**

1. Duration of the training: 6 months.
2. Eligibility: The As per SBTET norms
3. Training Area: Students can be trained in either in In-house/Industry in the areas of
4. Application Software Development / system software Development / firmware development / Mobile application development/ Database applications / Web development/ IoT application development / smart technologies / Hardware interfacing/ Networking .
5. The candidate shall put a minimum of 90% attendance during Industrial Training.
6. If the student fails to secure 90% attendance during industrial training, the student shall reappear for 6 months industrial training.
7. Formative assessment at industry level shall be carried out by the Mentor from of the industry, where the student is undergoing training and the faculty in charge (Guide) from the concerned section in the institution.
8. The Industrial training shall carry 300 marks and pass marks is 50% in assessments at industry (first and second assessment) and final summative assessment at institution level put together i.e. 150 marks out of 300 marks.
9. If the student fails to secure 50% marks in final summative assessment at institution level, the student should reappear for final summative assessment in the subsequent board examination.
10. Final summative assessment at institution level is done by a committee including1. Head of the section ( of concerned discipline ONLY), 2.External examiner from an industry and 3. Faculty member who assessed the student during Industrial Training as members.

**Guidelines and responsibilities of the faculty members who are assessing the students performance during industrial training:**

1. Shall guide the students in all aspects regarding training.
2. Shall create awareness regarding safety measures to be followed in the industry during the training period, and shall check it scrupulously.
3. Shall check the logbook of the students during the time of their visit for the assessment.
4. Shall monitor progress at regular intervals and make appropriate suggestions for improvement.
5. Shall visit the industry and make first and second assessments as per stipulated schedules.
6. Shall assess the skill sets acquired by the students during their assessment.
7. Shall award the marks for each skill set as per the marks allotted for that skill set during 1<sup>st</sup> and 2<sup>nd</sup> assessments
8. Shall voluntarily supplement students learning through appropriate materials like photographs, articles, videos etc.
9. Shall act as co-examiner along with other examiners in the final assessment at institution.
10. Shall act as liaison between the student and mentor.
11. Shall maintain a diary indicating his observation with respect to the progress of students learning in all three domains (Cognitive, Psychomotor and Affective).

**Guidelines to the training mentor in the industry:**

1. Shall train the students in all the skill sets as far as possible.
2. Shall assess and award the marks in both the assessments along with the faculty member.
3. Shall check and approve the log books of the students.
4. Shall approve the attendance of each student at the end of the training period.
5. Shall report to the guide about student's progress, personality development or any misbehavior as the case may be.

**DEPARTMENT OF TECHNICAL EDUCATION  
NAME OF THE INSTITUTION  
INDUSTRIAL TRAINING FIRST ASSESSMENT**

**PIN:**

**NAME OF THE STUDENT:**

**Name of the Industry:**

<b><i>Skill Set Sl.No</i></b>	<b><i>SKILL SET</i></b>	<b><i>Max Marks Allotted For each parameter</i></b>	<b><i>Marks obtained</i></b>
1	Apply knowledge and skill already learnt in the institution.	50	
2	Acquire the required skills of analysis, design and development , testing, verification and validation.	40	
3	Acquire the required skills of deployment and distribution of the product.	30	
	<i>Total</i>	<i>120</i>	

(Marks in words:            )

Signature of the Training In-charge (Mentor)  
(Guide)

Name:

Designation:

Signature of the visiting staff

Name:

Designation:

**DEPARTMENT OF TECHNICAL EDUCATION  
NAME OF THE INSTITUTION  
INDUSTRIAL TRAINING SECOND ASSESSMENT**

**PIN:**

**NAME OF THE STUDENT:**

**Name of the Industry:**

<i>Skill Set Sl.No</i>	<i>SKILL SET</i>	<i>Max Marks Allotted For each parameter</i>	<i>Marks obtained</i>
1	Apply knowledge and skill already learnt in the institution.	10	
2	Acquire the required skills of analysis, design and development, testing, verification and validation.	20	
3	Acquire the required skills of deployment and distribution of the product.	10	
4	Involve in product design, development, quality testing and maintenance production by exhibiting the strength, teamwork spirit and self-confidence	25	
5	Prepare product documents like user manual and installation guide and operational manuals.	15	

6	Perform the activities of deploying product at customer site and training the end user.	25	
7	Maintaining the system at user site (Post product services)	15	
		120	

(Marks in words: )

Signature of the Training In-charge (Mentor)  
(Guide)

Name:

Designation:

Signature of the visiting staff

Name:

Designation: